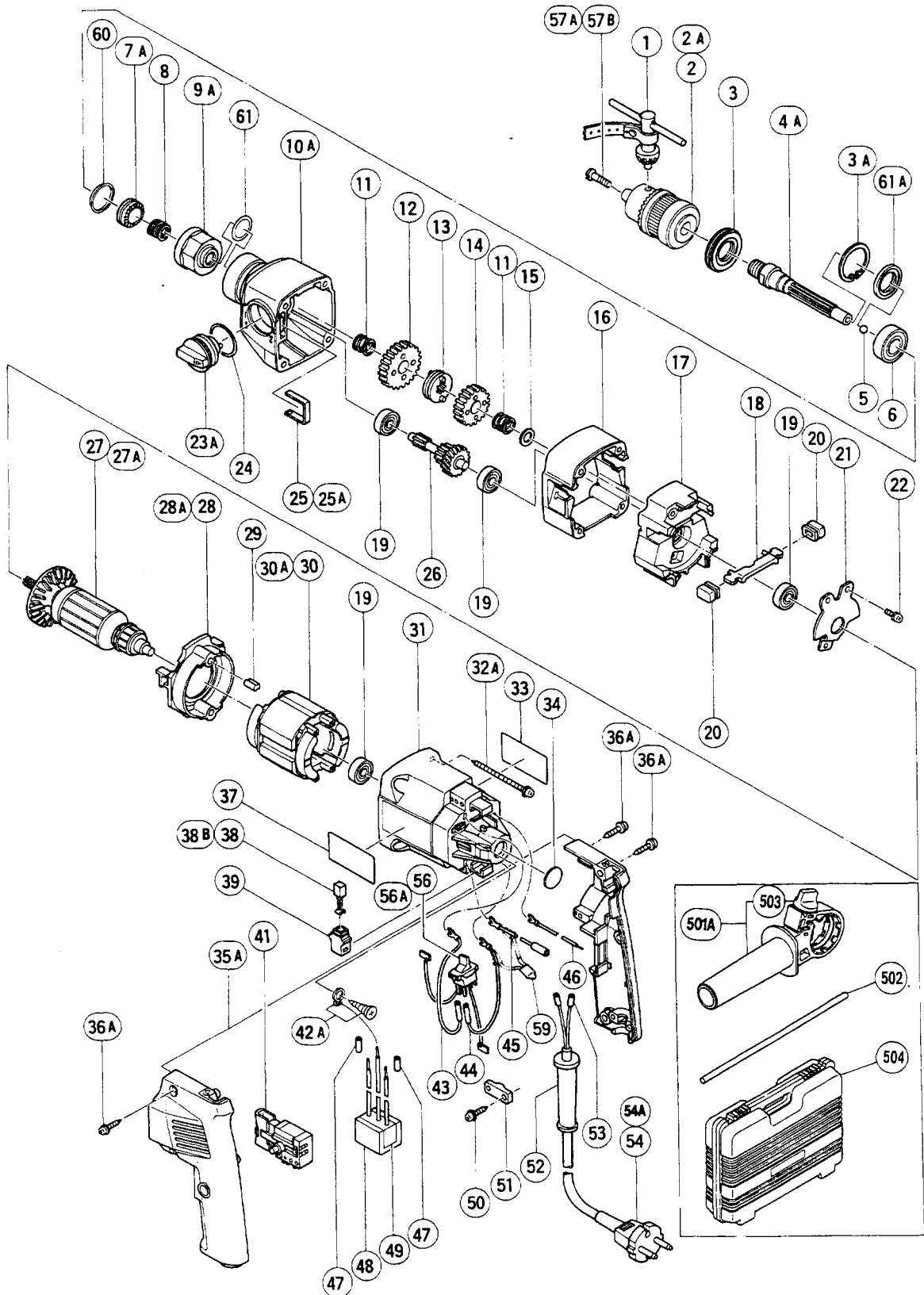


ELECTRIC TOOL PARTS LIST

■ IMPACT DRILL
Model DV 20V2

1998·7·10
(E4)



PARTS

DV 20V2

ITEM NO.	CODE NO.	DESCRIPTION	NO. USED	REMARKS
* 1	930-515	CHUCK WRENCH 10G	1	FOR DRILL CHUCK OF HITACHI
* 1	987-576	CHUCK WRENCH FOR 13VLB-D,13VLR-D	1	FOR DRILL CHUCK OF ROEHM
* 2		DRILL CHUCK (ROEHM)	1	INCLUD.1
* 2		KEYLESS CHUCK (ROEHM)	1	FOR SUI,FRG,BEL,FRA,HOL
* 2A	950-275	DRILL CHUCK 13VLR	1	INCLUD.1,57A
3	995-316	SEAL LOCK CAP	1	TILL 6.1990
3A	948-001	RETAINING RING FOR D32 HOLE	1	SINCE 7.1990
4A	994-447	SPINDLE	1	
5	959-149	STEEL BALL D4.76 (10 PCS.)	1	
6	600-2DD	BALL BEARING 6002DDUCMPS2S	1	
7A	995-342	RATCHET (A)	1	
8	994-457	SPRING (B)	1	
9A	995-340	RATCHET SLEEVE (A) ASS'Y	1	INCLUD.61 TILL 6.1990
10A	995-345	GEAR COVER ASS'Y	1	W/RATCHET SLEEVE INCLUD.3A,61A
11	994-389	SPRING	2	
12	994-383	LOW SPEED GEAR	1	
13	994-388	CLUTCH DISC	1	
14	994-384	HIGH SPEED GEAR	1	
15	971-657	WASHER	1	
16	994-441	OUTER COVER	1	
17	994-442	INNER COVER	1	
18	994-444	CHANGE PLATE	1	
19	608-VVM	BALL BEARING 608VVMC2EPS2L	4	
20	994-445	PUSHING BUTTON	2	
21	994-446	BEARING HOLDER	1	
22	993-126	SEAL LOCK SCREW (W/SP. WASHER) M5X12	3	
23A	994-395	SHIFT LEVER ASS'Y	1	INCLUD.25A
24	994-452	O-RING	1	
25	994-386	SHIFT SPRING	1	TILL 3.1986
25A	994-396	SHIFT SPRING	1	SINCE 4.1986
26	994-387	SECOND PINION	1	
* 27	360-029U	ARMATURE ASS'Y 110V-127V	1	INCLUD.19
* 27	360-029F	ARMATURE 230V-240V	1	FOR SIN,KUW,NGU,AUS,SAF
* 27A	360-029E	ARMATURE 220V-230V	1	
* 28	994-440	FAN GUIDE	1	
* 28A	995-318	FAN GUIDE	1	FOR CAN
29	994-343	RUBBER BUSHING	2	
* 30	340-030J	STATOR 110V-127V	1	
* 30	340-030H	STATOR 230V-240V	1	FOR SIN,KUW,NGU,AUS,SAF
* 30A	340-030G	STATOR 220V-230V	1	
31	994-340	HOUSING	1	
32A	305-701	TAPPING SCREW (W/FLANGE) D5X60	4	
33		NAME PLATE	1	
34	994-453	BEARING SEAL	1	
35A	994-362	HANDLE (A).(B) SET	1	
36A	984-750	TAPPING SCREW (W/FLANGE) D4X16	7	
37	994-449	HITACHI LABEL	1	
* 38	999-041	CARBON BRUSH (1 PAIR)	2	
* 38B	999-072	CARBON BRUSH (AUTO STOP TYPE) (1 PAIR)	2	FOR USA
39	955-203	BRUSH HOLDER	2	
* 41	994-392	SPEED CONTROL SWITCH (2P PILLAR TYPE)	1	FOR 110V-127V

* : ALTERNATIVE PARTS

7 - 98

PARTS

ITEM NO.	CODE NO.	DESCRIPTION	NO. USED	REMARKS	
* 41	994-393	SPEED CONTROL SWITCH (2P PILLAR TYPE)	1	FOR 220V-240V	
* 42A	995-323	EARTH TERMINAL	1	FOR NOISE SUPPRESSOR	
* 43	994-462	INTERNAL WIRE (A) (BROWN)	1		
* 43	994-464	INTERNAL WIRE (A) (BROWN)	1	FOR USA	
* 44	994-459	INTERNAL WIRE (A) (BLUE)	1		
* 44	994-461	INTERNAL WIRE (A) (BLUE)	1	FOR USA	
* 45	994-467	INTERNAL WIRE (C) (BLACK)	1		
* 45	994-469	INTERNAL WIRE (C) (BLACK)	1	FOR USA	
* 46	994-466	INTERNAL WIRE (C) (RED)	1		
* 46	994-465	INTERNAL WIRE (C) (RED)	1	FOR USA	
* 47	981-373	TUBE (D)	2	FOR NOISE SUPPRESSOR	
* 48	930-153	SUPPORT (B)	1	FOR NOISE SUPPRESSOR	
* 49	994-273	NOISE SUPPRESSOR	1		
	50	984-750	TAPPING SCREW (W/FLANGE) D4X16	2	
	51	960-266	CORD CLIP	1	
* 52	953-327	CORD ARMOR D8.8	1		
* 52	938-051	CORD ARMOR D10.1	1		
* 53	981-373	TUBE (D)	2	FOR CORD	
* 54	500-212Z	CORD	1	(CORD ARMOR D8.8)	
* 54	500-234Z	CORD	1	(CORD ARMOR D8.8) FOR ITA,FRG,FRA,	
				HOL,DEN,FIN,AUT,ESP	
* 54	500-240Z	CORD	1	(CORD ARMOR D8.8) FOR USA	
* 54	500-395Z	CORD	1	(CORD ARMOR D8.8) FOR SUI	
* 54	500-409Z	CORD	1	(CORD ARMOR D8.8) FOR INA,SWE,NOR	
* 54	500-439Z	CORD	1	(CORD ARMOR D8.8) FOR AUS,NGU,NZL	
* 54	971-517Z	CORD	1	(CORD ARMOR D8.8) FOR GBR,SAF	
* 54A	500-423Z	CORD	1	(CORD ARMOR D8.8) FOR SIN,KUW	
* 54A	500-447Z	CORD	1	(CORD ARMOA D8.8) FOR SYR	
* 56	994-454	REVERSING SWITCH	1		
* 56	991-889	REVERSING SWITCH	1	FOR FIN	
* 56	995-317	REVERSING SWITCH	1	FOR NZL	
* 56A	995-320	REVERSING SWITCH	1	FOR GBR,SAF,ITA,FRG,FRA,DEN,SWE,	
				NOR,SUI,ESP	
* 56A	995-321	REVERSING SWITCH	1	FOR HOL,AUT	
	57A	981-122	SPECIAL SCREW M6X22	1	TILL 6.1989
	57B	995-344	FLAT HD. SCREW (A) (LEFT HAND) M6X25	1	SINCE 7.1989
* 59	995-322	CR UNIT	1	FOR GBR,SAF,ITA,FRG,FRA,DEN,SWE,	
				NOR,SUI,HOL,AUT,ESP	
	60	995-343	OIL SEAL	1	
	61	995-341	O-RING	1	TILL 6.1990
	61A	971-654	DUST SEAL	1	SINCE 7.1990

STANDARD ACCESSORIES

DV 20V2

ITEM NO.	CODE NO.	DESCRIPTION	NO. USED	REMARKS
501A	301-954	SIDE HANDLE ASS'Y	1	INCLUD.503
502	971-677	STOPPER	1	
503	303-158	KNOB BOLT M6X38	1	
504	310-904	CASE	1	FOR NZL,AUS

OPTIONAL ACCESSORIES

ITEM NO.	CODE NO.	DESCRIPTION	NO. USED	REMARKS
601	931-851	DRILL BIT (B) D6.5X100	1	
602	931-852	DRILL BIT (B) D8.0X100	1	
603	931-853	DRILL BIT (B) D9.5X120	1	
604	931-854	DRILL BIT (B) D10.0X120	1	
605	971-704	DRILL BIT (B) D12.0X160	1	
606	931-855	DRILL BIT (B) D13.0X160	1	
607	931-776	DRILL BIT (B) D14.3X160	1	
608	971-670	DRILL BIT (B) D16.0X160	1	
609	931-856	DRILL BIT (B) D19.0X160	1	
* 610A	310-904	CASE	1	
* 610A	310-905	CASE	1	FOR USA,CAN

* : ALTERNATIVE PARTS

Printed in Japan 7-98
(980710 N)