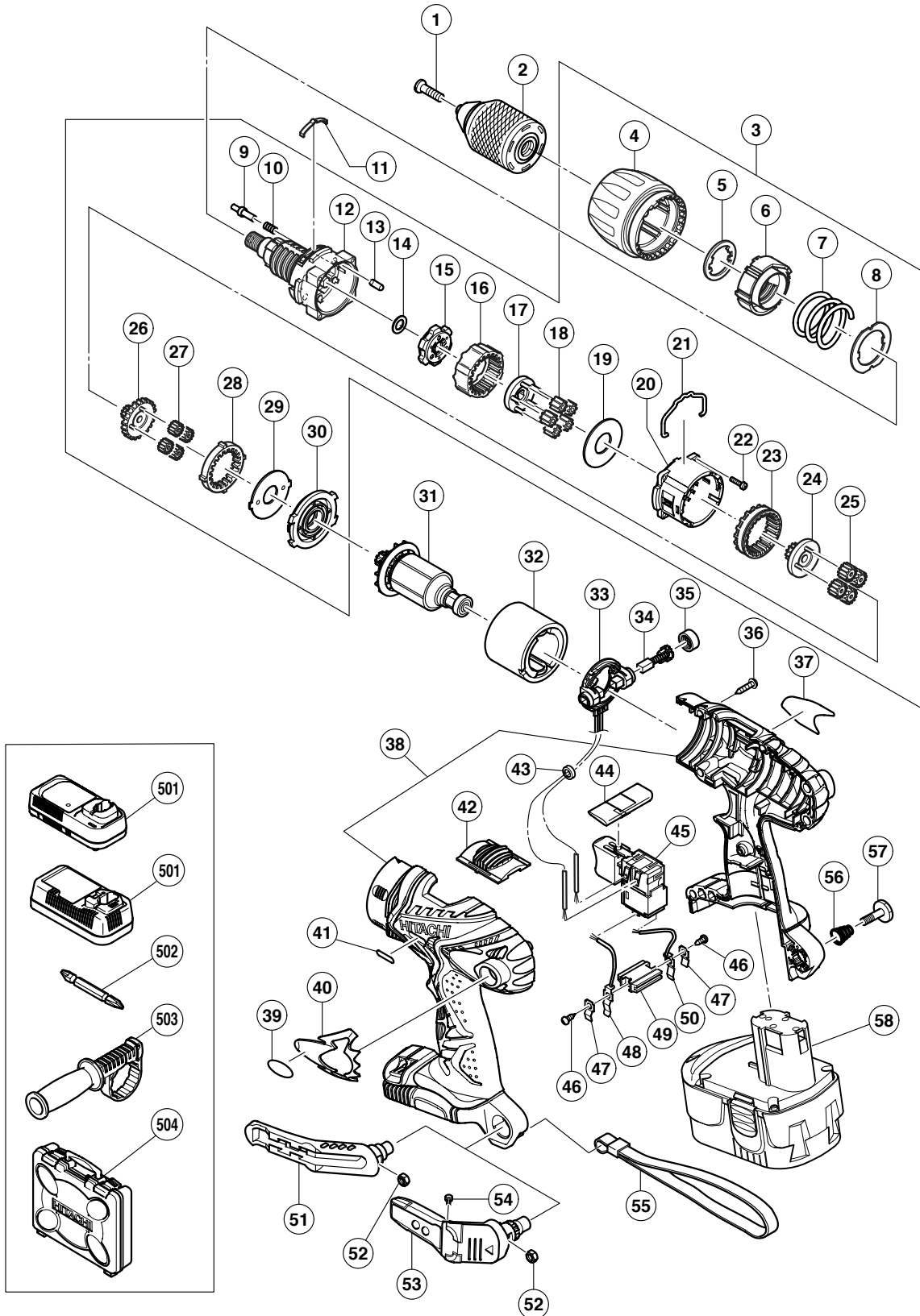


ELECTRIC TOOL PARTS LIST

CORDLESS IMPACT DRIVER DRILL 2005 · 3 · 10 Model DV 18DMR (E1)



PARTS

DV 18DMR

ITEM NO.	CODE NO.	DESCRIPTION	NO. USED	REMARKS
1	311-959	SPECIAL SCREW (LEFT HAND) M6X23	1	
2	323-898	DRILL CHUCK 13VLRL-N (W/O CHUCK WRENCH)	1	
3	324-061	GEAR BOX ASS'Y	1	INCLUD. 4-10, 12-30
4	324-074	FRONT CAP	1	
5	324-136	SWITCH PLATE	1	
6	324-064	NUT	1	
7	324-135	SPRING	1	
8	324-063	THRUST WASHER	1	
9	322-972	STOPPER	2	
10	322-971	STOPPER SPRING	2	
11	320-773	CLICK SPRING	1	
12	324-062	FRONT CASE	1	
13	322-975	PIN SET (6 PCS.)	6	
14	324-065	WASHER (D)	1	
15	322-976	LOCK RING	1	
16	324-066	RING GEAR	1	
17	322-978	CARRIER	1	
18	324-067	PLANET GEAR (C) SET (5 PCS.)	5	
19	322-980	WASHER (A)	1	
20	322-981	REAR CASE	1	
21	322-990	SHIFT ARM	1	
22	320-087	SCREW SET M3X12 (4 PCS.)	4	
23	324-069	SLIDE RING GEAR	1	
24	324-068	PINION (C)	1	
25	324-070	PLANET GEAR (B) SET (4 PCS.)	4	
26	324-071	PINION (B)	1	
27	324-073	PLANET GEAR (A) SET (4 PCS.)	4	
28	324-072	FIRST RING GEAR	1	
29	322-988	WASHER (B)	1	
30	322-989	MOTOR SPACER	1	
31	360-701	ARMATURE AND PINION SET	1	
32	322-996	MAGNET	1	
33	322-993	BRUSH BLOCK	1	
34	999-054	CARBON BRUSH 5X6X11.5 (1 PAIR)	2	
35	319-918	BRUSH CAP	2	
36	313-687	TAPPING SCREW (W/FLANGE) D3X16 (BLACK)	10	
37		NAME PLATE	1	
38	322-998	HOUSING (A). (B) SET	1	
39		LABEL	1	
40	322-999	PLATE (A)	1	
41		HITACHI LABEL	1	
42	324-137	SHIFT KNOB	1	
* 43	323-229	FERRITE CORE	1	EXCEPT FOR NZL, AUS, USA, CAN
44	322-997	PUSHING BUTTON	1	
45	322-994	DC-SPEED CONTROL SWITCH	1	
46	958-715	TAPPING SCREW D4X10	2	
47	996-118	HOLDER SPRING	2	
48	322-995	TERMINAL	1	
49	320-997	TERMINAL PIECE	1	
50	323-003	TERMINAL	1	
* 51	320-287	HOOK ASS'Y	1	INCLUD. 52

