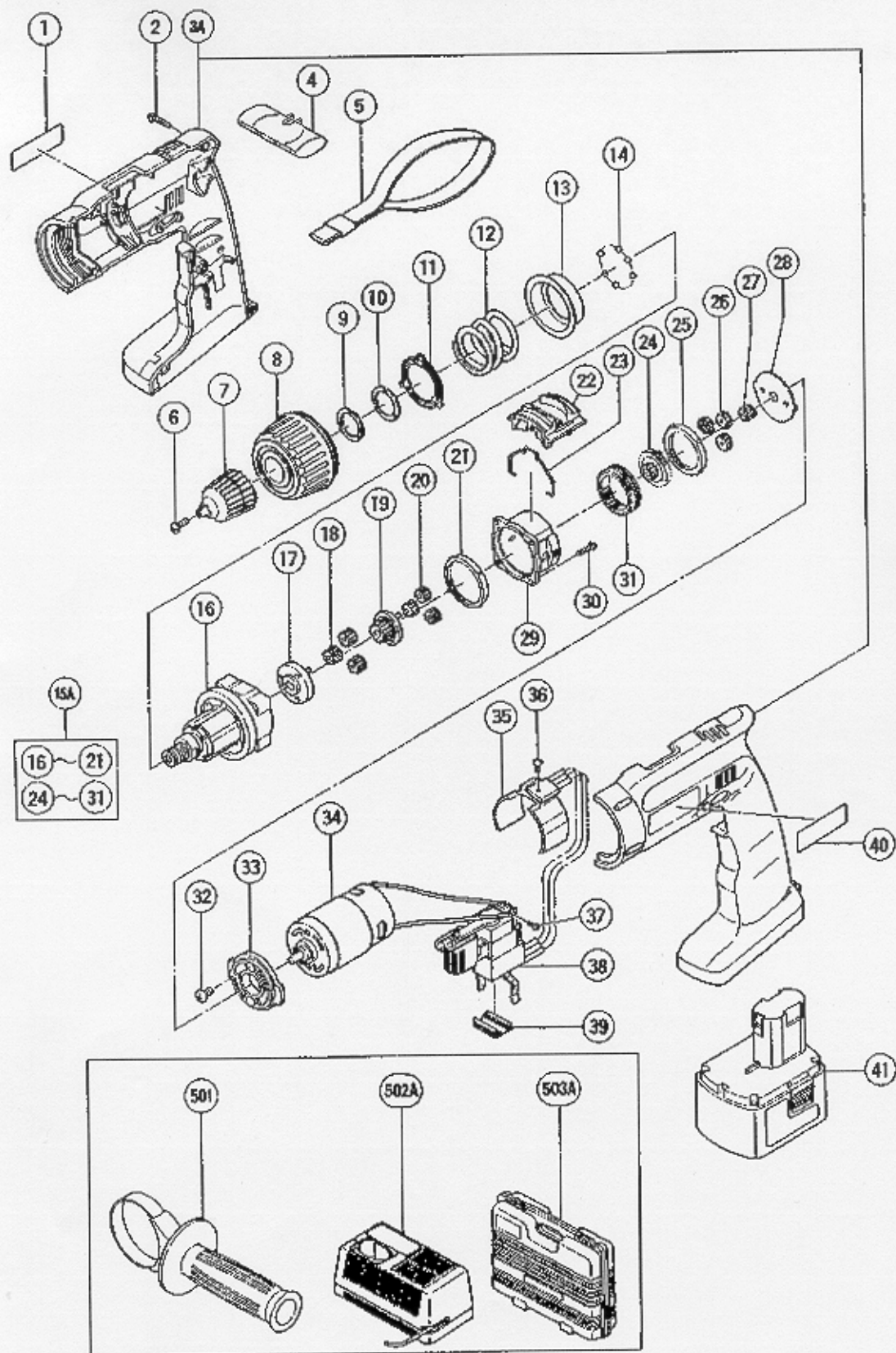


ELECTRIC TOOL PARTS LIST

■ CORDLESS IMPACT DRILL
Model DV 14DVA

2000-6-1
(E1-1)



PARTS

DV14DVA

ITEM No.	CODE No.	DESCRIPTION	No. USED	REMARKS
1		NAME PLATE	1	
2	312-654	TAPPING SCREW (W/FLANGE) D3X18	6	
3A	317-883	HOUSING (A).(B) SET	1	
4	312-669	PUSHING BUTTON	1	
5	306-952	STRAP (BLACK)	1	
6	311-959	SPECIAL SCREW (LEFT HAND) M6X23	1	
7	315-966	DRILL CHUCK 13VLRC-N (W/O CHUCK WRENCH)	1	
8	316-533	CAP	1	
9	316-534	O-RING	1	
10	316-535	O-RING PLATE	1	
11	316-536	CLUTCH PLATE	1	
12	316-537	SPRING	1	
13	312-659	SPRING HOLDER	1	
14	309-603	STEEL BALL	6	
15A	317-481	SPINDLE AND GEAR ASS'Y	1	INCLUD.16-21,24-31
16		SPINDLE	1	
17		CARRIER	1	
18		PLANET GEAR (C) SET	3	
19		PINION (C)	1	
20		PLANET GEAR (B) SET	3	
21		RING GEAR (B)	1	
22	316-539	SHIFT KNOB	1	
23	316-540	SHIFT ARM	1	
24		PINION (B)	1	
25		FIRST RING GEAR	1	
26		PLANET GEAR (A) SET	3	
27		PINION	1	
28		PLATE	1	
29		REAR CASE	1	
30		TAPPING SCREW SET D3X15	4	
31		SLIDE RING GEAR	1	
32	949-214	MACHINE SCREW M4X6 (10 PCS.)	2	
33	312-698	MOTOR SPACER	1	
34	316-541	MOTOR	1	

*:ALTERNATIVE PARTS

PARTS

DV14DVA

ITEM No.	CODE No.	DESCRIPTION	No. USED	REMARKS
35	316-542	FIN	1	
36	312-667	MACHINE SCREW M3X7	1	
37	994-532	MACHINE SCREW (W/SP. WASHER) M3X5	2	
38	316-543	DC-SPEED CONTROL SWITCH	1	
39	315-141	TERMINAL SUPPORT (A)	1	
40		HITACHI LABEL	1	
* 41	315-130	BATTERY EB 14B (W/ENGLISH N.P)	1	

STANDARD ACCESSORIES

ITEM No.	CODE No.	DESCRIPTION	No. USED	REMARKS
503A	317-448	CASE	1	