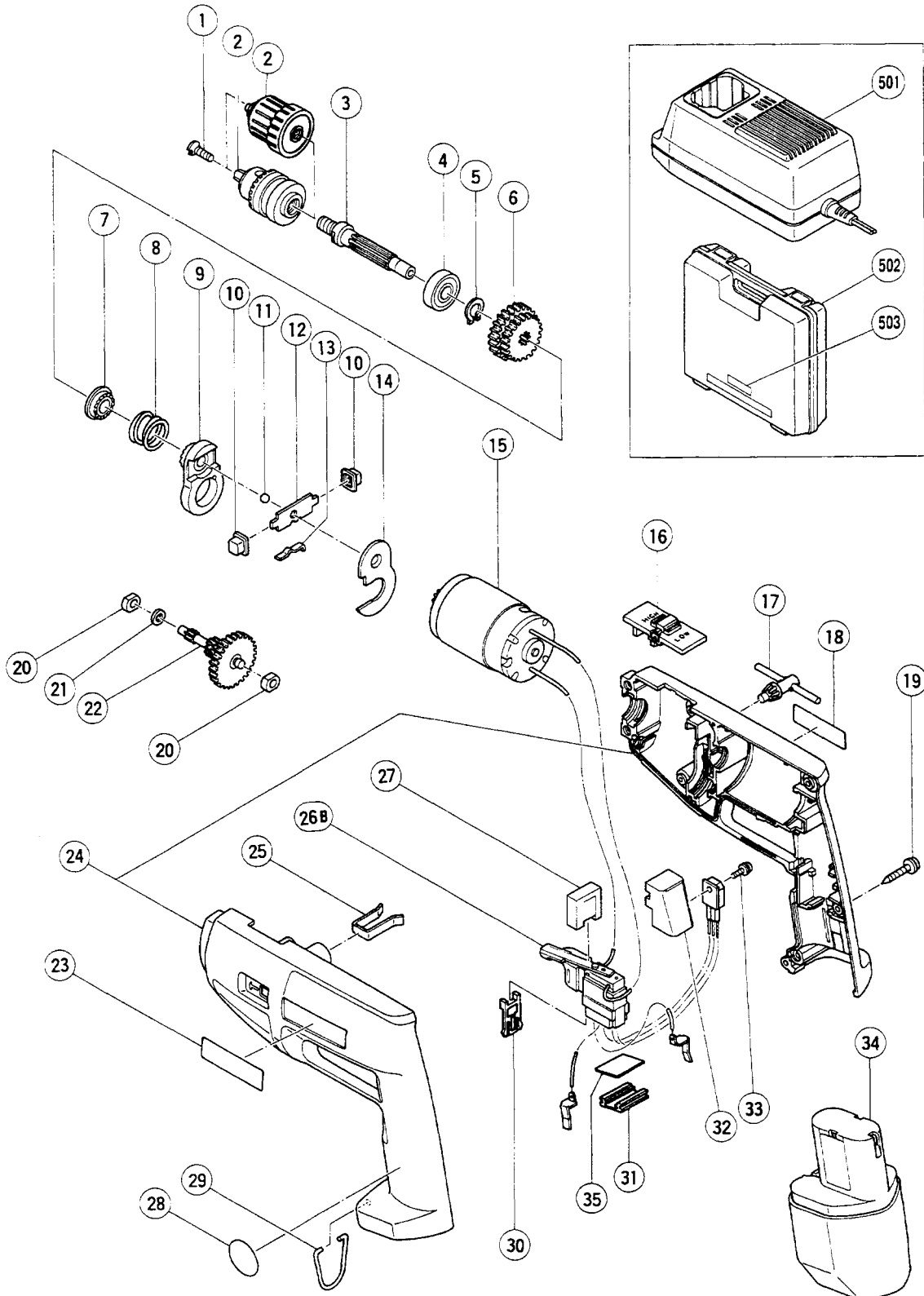


ELECTRIC TOOL PARTS LIST

■ CORDLESS IMPACT DRILL
Model DV 10DV

1998·7·10
(E3)



PARTS

DV 10DV

ITEM NO.	CODE NO.	DESCRIPTION	NO. USED	REMARKS
* 1	992-077	FLAT HD. SCREW (LEFT HAND) M5X17	1	
* 1		FLAT HD. SCREW (LEFT HAND) M5X15	1	FOR GBR
* 2	950-292	DRILL CHUCK 10TLRA	1	INCLUD.17
* 2	309-891	DRILL CHUCK 10TLRB-N	1	FOR GBR
3	300-021	SPINDLE	1	
4	600-1DD	BALL BEARING 6001DDUCMPS2S	1	
5	939-542	RETAINING RING FOR D12 SHAFT (10 PCS.)	1	
6	982-444	FINAL GEAR	1	
7	300-022	RATCHET	1	
8	300-023	SPRING (A)	1	
9	987-074	HOLDER	1	
10	963-225	CHANGE KNOB	2	
11	959-149	STEEL BALL D4.76 (10 PCS.)	1	
12	963-224	CHANGE PLATE	1	
13	963-226	SPRING (A)	1	
14	987-075	PLATE	1	
15	305-081	MOTOR	1	
16	300-025	SHIFT KNOB	1	
17	980-057	CHUCK WRENCH 10TL2	1	
18		NAME PLATE	1	
19	302-086	TAPPING SCREW (W/FLANGE) D4X20 (BLACK)	7	
20	997-752	METAL	2	
21	949-425	WASHER M6 (10 PCS.)	1	
22	982-443	SECOND PINION	1	
23		HITACHI LABEL	1	
24	300-026	HOUSING (A).(B) SET	1	
25	980-837	KEY HOLDER	1	
26B	303-788	SWITCH (1P PLUG IN TYPE) W/O LOCK	1	
27	980-834	SEAL	1	
28	987-135	MARK PLATE	1	
29	980-838	HOOK	1	
30	980-833	SWITCH LOCK	1	
31	991-666	TERMINAL SUPPORT	1	
32	305-072	FIN	1	
33	993-963	MACHINE SCREW (W/WASHERS) M3X12	1	
* 34	300-002	BATTERY EB 12 (W/ENGLISH N.P.)	1	
* 34	300-004	BATTERY EB 12 (W/ENGLISH N.P.)	1	FOR USA,CAN
* 34	300-003	BATTERY EB 12 (W/FRENCH N.P.)	1	FOR FRA
* 34	302-758	BATTERY EB 12 (W/ENGLISH N.P.)	1	FOR EUROPE (EXCEPT FOR FRA),AUS
35	306-072	FIBER PLATE	1	

* : ALTERNATIVE PARTS

STANDARD ACCESSORIES

DV 10DV

ITEM NO.	CODE NO.	DESCRIPTION	NO. USED	REMARKS
501		CHARGER UC 12Y	1	
502	303-346	CASE	1	
503		HITACHI LABEL	1	

OPTIONAL ACCESSORIES

ITEM NO.	CODE NO.	DESCRIPTION	NO. USED	REMARKS
601	931-851	DRILL BIT (B) D6.5X100	1	
602	931-852	DRILL BIT (B) D8.0X100	1	
603	931-853	DRILL BIT (B) D9.5X120	1	
604	931-854	DRILL BIT (B) D10.0X120	1	
605	983-006	+ DRIVER BIT NO.2 65L	1	
606	983-004	+ DRIVER BIT NO.1 65L	1	