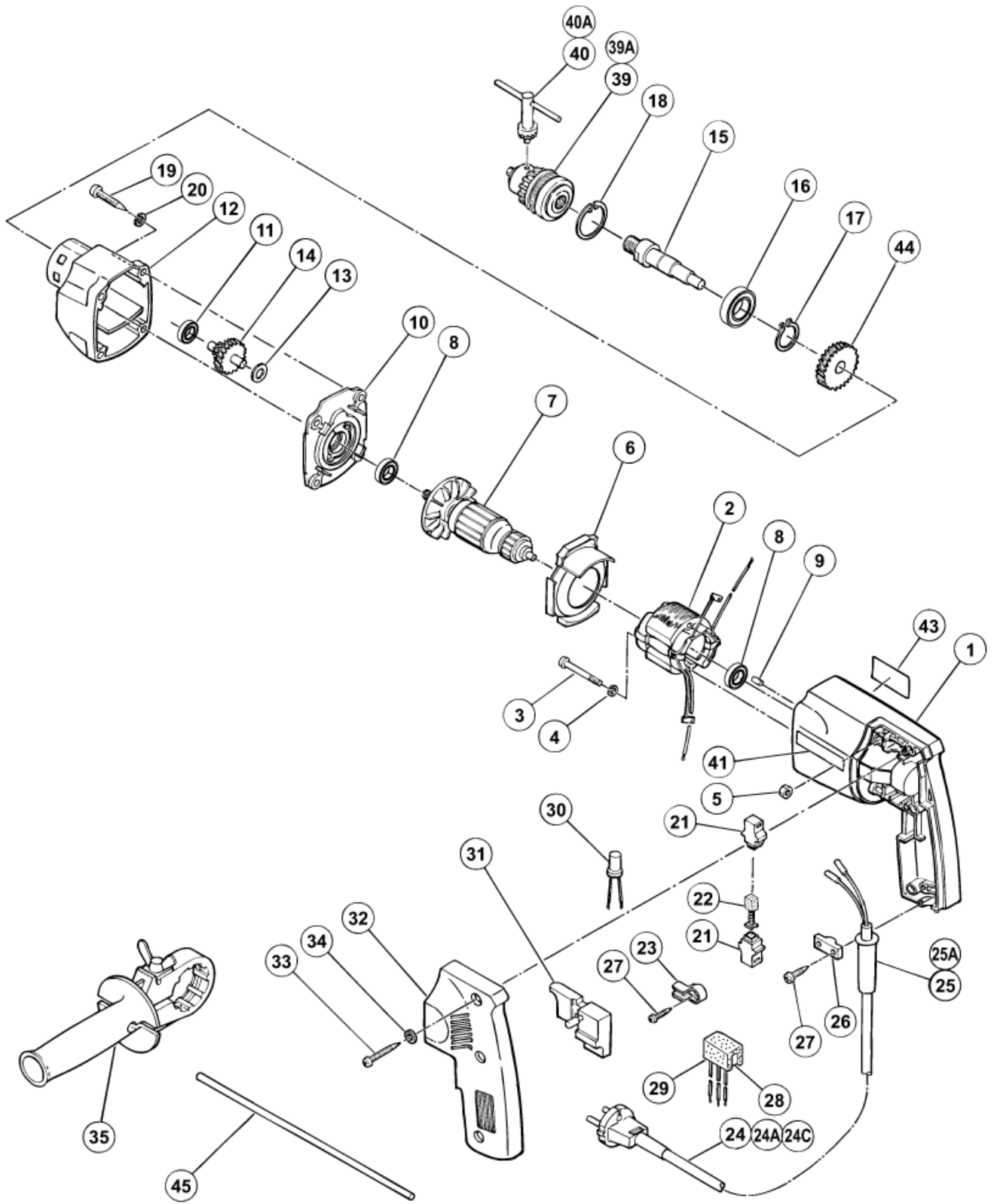


Item #	Descriptions	QTY
1	971640 HOUSING	1
2	971665C STATOR 110V-127V	1
2	971665Z STATOR 110V	1
2	971665F STATOR 240V	1
2	971665E STATOR 220V-230V	1
2	971665M STATOR 240V	1
2	971665K STATOR 220V-230V	1
2	971665G STATOR 220V-230V	1
3	949278 MACHINE SCREW M4X55 (10 PCS.)	2
4	949453 SPRING WASHER M4 (10 PCS.)	2
5	949554 NUT M4 (10 PCS.)	2
6	971642 FAN GUIDE	1
7	971666E ARMATURE 220V-230V	1
7	971666C ARMATURE 110V-127V	1
7	971666F ARMATURE 240V	1
9	946362 BEARING LOCK	1
10	971664 INNER COVER	1
11	608VVM BALL BEARING 608VVC2PS2L	1
12	950970Z GEAR COVER	1
13	930477 THRUST WASHER	1
14	950975 SECOND PINION (HIGH SPEED TYPE)	1
14	950971Z SECOND PINION	1
15	950972Z SPINDLE	1
16	6202VV BALL BEARING 6202VVCMP2L	1
17	939544 RETAINING RING FOR D15 SHAFT (10 PCS.)	1
18	939556 RETAINING RING FOR D35 HOLE (10 PCS.)	1
19	931875 TAPPING SCREW D5X35	4
20	949454 SPRING WASHER M5 (10 PCS.)	4
21	955203 BRUSH HOLDER	2
22	999041 CARBON BRUSH (1 PAIR)	2
23	971655 HOLDER PIECE	2
24C	500435Z CORD	1
24	971675Z CORD	1
24A	500436Z CORD	1
24	500439Z CORD	1
24	971676Z CORD	1
24	500201Z CORD	1
24	500420Z CORD	1
24	500409Z CORD	1

24A	500423Z	CORD	1
24	500447Z	CORD	1
25A	303662	CORD ARMOR D8.8	1
25	980193	CORD ARMOR D10.2	1
25	930487	CORD ARMOR D8.2	1
26	937631	CORD CLIP	1
27	954004	TAPPING SCREW D4X16	4
28	994273	NOISE SUPPRESSOR	1
29	930153	SUPPORT (B)	1
30	959140	CONNECTOR 50091 (10 PCS.)	1
31	971667Z	SWITCH (2P PILLAR TYPE) W/LOCK	1
32	971660	HANDLE COVER	1
33	956384	TAPPING SCREW D4X20	3
34	949423	WASHER M4 (10 PCS.)	3
35	971662	SIDE HANDLE	1
39A		DRILL CHUCK (10VLB-D)	1
39	321811	DRILL CHUCK 10VLB-D	1
40	930119	CHUCK WRENCH 6.5G	1
40A	987575	CHUCK WRENCH FOR 10VLB-D,10VLR-D	1
43		NAME PLATE	1
44	950976	FINAL GEAR (HIGH SPEED TYPE)	1
44	950974Z	FINAL GEAR	1
45	971677	STOPPER	1



Rev.1

形名
DU-10