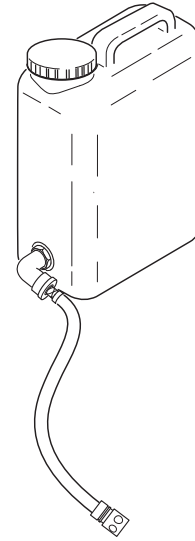
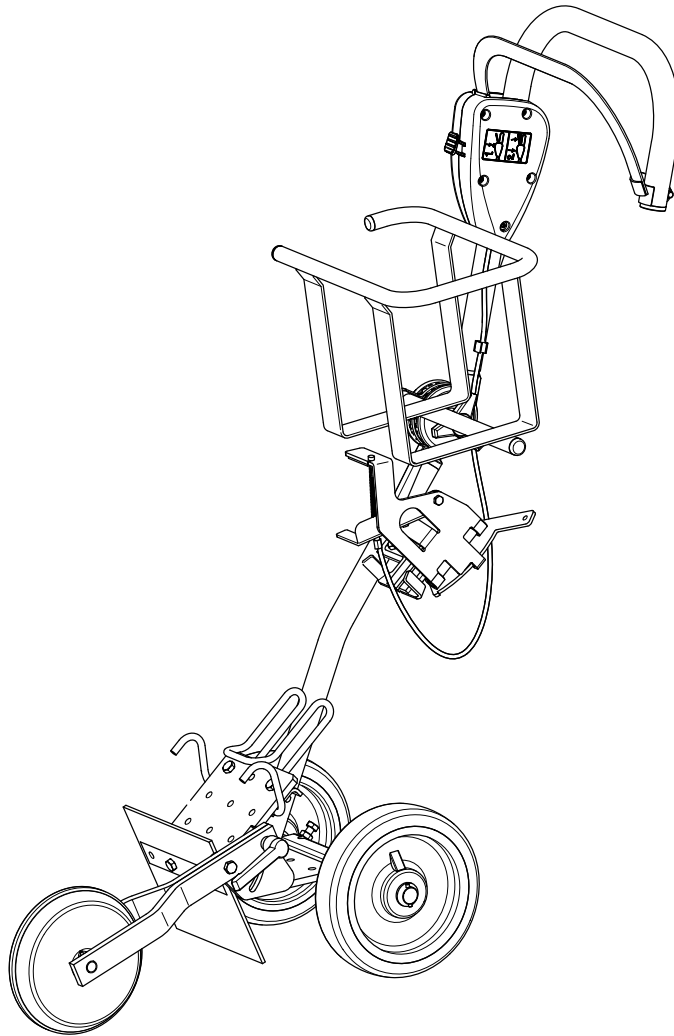




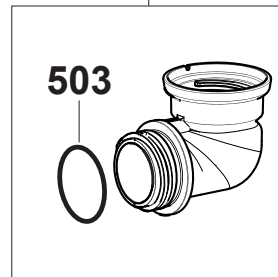
PARTS BREAKDOWN

DT-2010

PT-2010

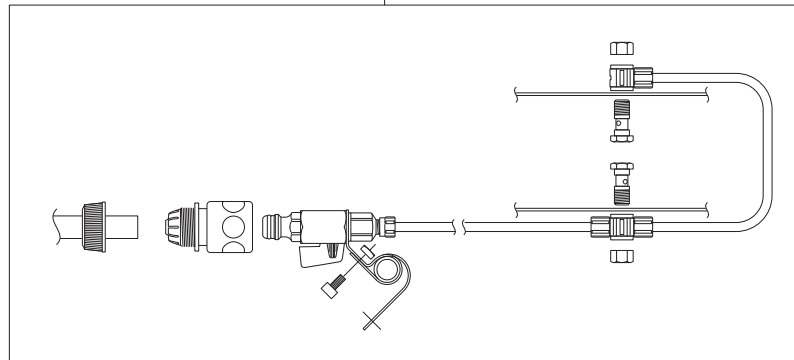


502



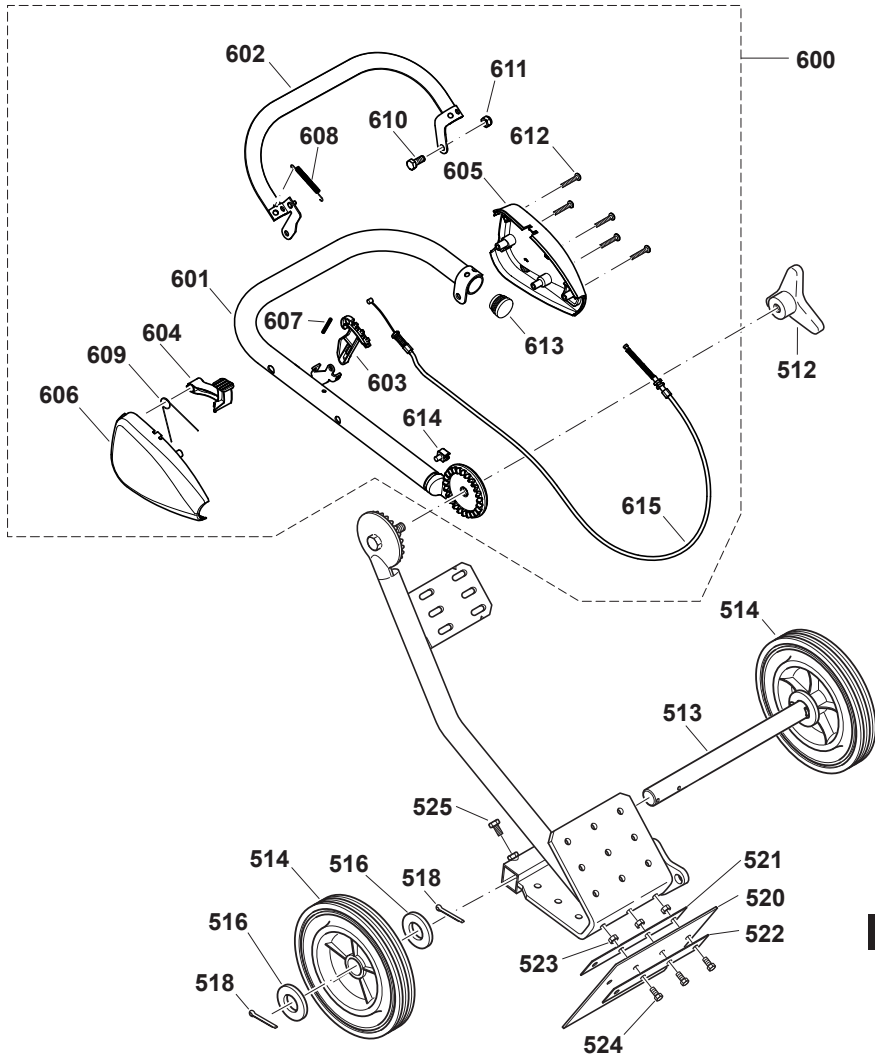
503

504

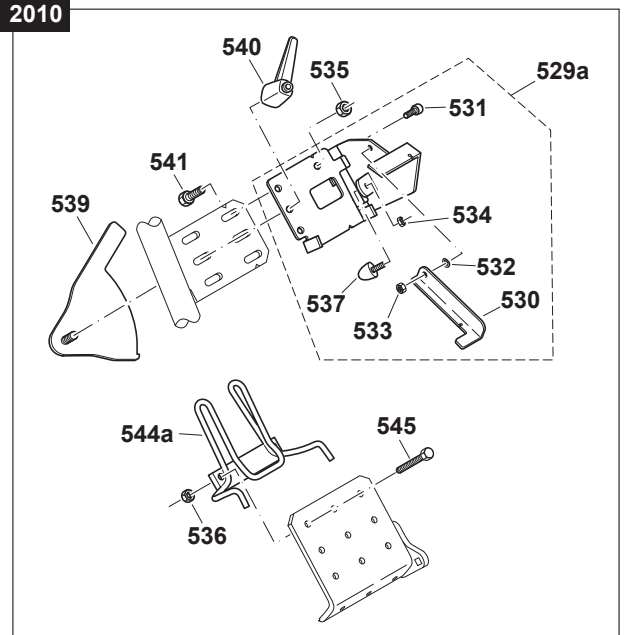


Products with multiple versions are listed in subsiding order with the newest version on top not indented.

Section	Fig. No.	Part No.	Description	DT-2010	PT-2010	Tech Bulletin	Notes
1	502	957-114-200	ANGULAR UNION	1	1		
1	503	963-229-036	PACKING RING	1	1		
1	504	394-365-102	WATER ATTACHMENT KIT	1	1		



2010

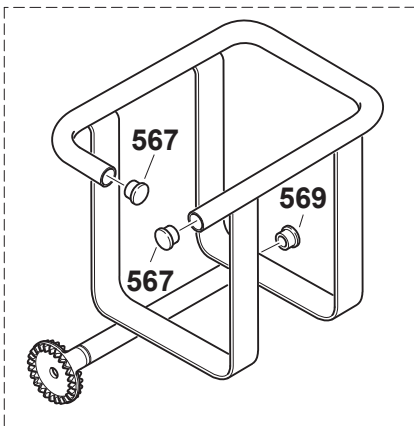
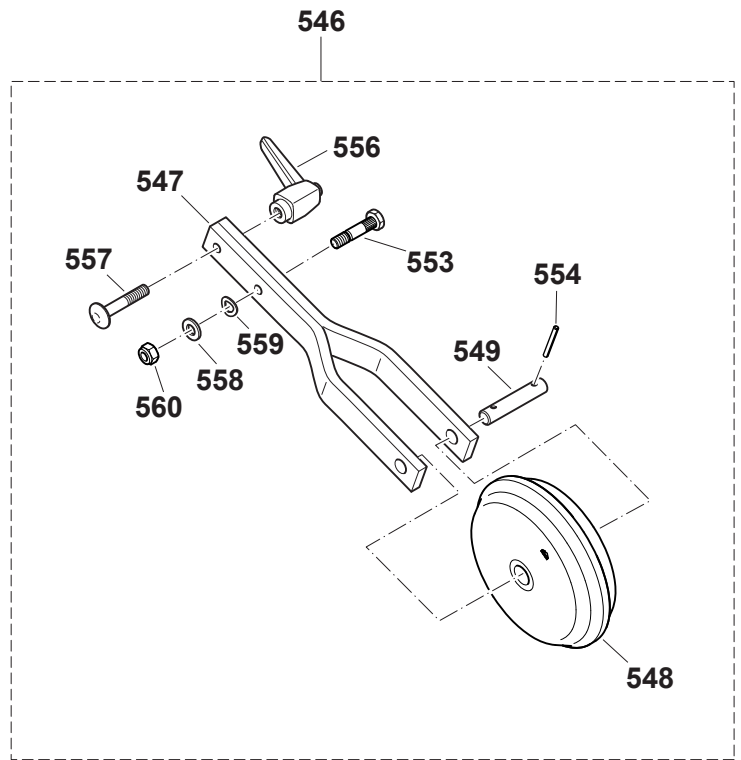
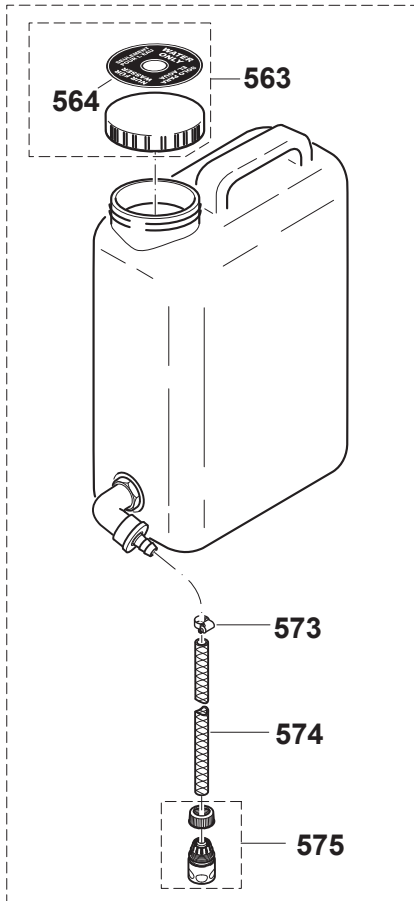


Products with multiple versions are listed in subsiding order with the newest version on top not indented.

Section	Fig. No.	Part No.	Description	DT-2010	PT-2010	Tech Bulletin	Notes
2	512	985-000-580	STAR KNOB	1	1		
2	513	394-361-250	AXLE	2	2		
2	514	985-000-520	WHEEL	2	2		
2	514	980-601-010	WHEEL	2	2		
2	516	924-121-000	WASHER	2	2		
2	518	934-340-280	COTTER	1	1		
2	520	394-361-230	RUBBER FLAPS	1	1		
2	521	394-361-240	FIXING PLATE	1	1		
2	522	394-361-240	FIXING PLATE	3	3		
2	523	922-908-004	NUT	3	3		
2	524	900-208-254	HEXAGONAL SCREW	2	2		
2	525	900-208-254	HEXAGONAL SCREW	1	1		
2	529a	394-366-242	MOUNTING PLATE	1	1		
2	530	394-366-032	THROTTLE CONTROL	1	1		
2	531	908-006-205	SCREW	1	1		
2	532	926-206-001	SPRING WASHER	1	1		
2	533	922-906-004	NUT	1	1		
2	534	922-906-004	NUT	1	1		
2	535	922-908-004	NUT	2	2		
2	536	922-908-004	NUT	1	1		
2	537	965-403-540	VIBRATION DAMPER	1	1		
2	539	394-366-250	CLAMP PLATE	1	1		
2	540	394-366-070	QUICK CLAMP LEVER	1	1		
2	541	900-208-204	HEXAGONAL SCREW	1	1		
2	544a	394-366-221	CLAMP ASSY.	2	2		
2	545	900-208-354	HEXAGONAL SCREW	1	1		
2	600	394-361-500	OPERATING LEVER ASSY.	1	1		
2	601	394-361-300	HANDLE ASSY.	1	1		
2	602	394-361-400	OPERATING LEVER	1	1		
2	603	394-361-320	DRIVER	1	1		
2	604	394-361-330	SHIFT BUTTON	1	1		
2	605	394-361-370	CASE LEFT	1	1		
2	606	394-361-380	CASE RIGHT	1	1		
2	607	394-361-360	COMPRESSION SPRING	1	1		

Products with multiple versions are listed in subsiding order with the newest version on top not indented.

Section	Fig. No.	Part No.	Description	DT-2010	PT-2010	Tech Bulletin	Notes
2	608	394-361-340	TENSION SPRING	1	1		
2	609	394-361-350	TORSION SPRING	1	1		
2	610	900-208-204	HEXAGONAL SCREW	1	1		
2	611	922-908-004	NUT	5	5		
2	612	913-650-304	SCREW	1	1		
2	613	394-361-260	PLUG	1	1		
2	614	394-361-220	CABLE HOLDER	1	1		
2	615	394-366-350	BOWDEN CABLE ASSY.	1	1		



Products with multiple versions are listed in subsiding order with the newest version on top not indented.

Section	Fig. No.	Part No.	Description	DT-2010	PT-2010	Tech Bulletin	Notes
3	546	394-362-190	DEPTH LIMITER ASSY.	1	1		
3	547	394-362-170	WHEEL FORK	1	1		
3	548	394-362-122	WHEEL	1	1		
3	549	394-362-162	AXLE	1	1		
3	553	394-211-091	TIGHTEN LOCKING BOLT	2	2		
3	554	934-903-320	SPRING PIN	1	1		
3	556	394-366-070	QUICK CLAMP LEVER	1	1		
3	557	909-608-404	SCREW	1	1		
3	558	925-108-400	WASHER	1	1		
3	559	926-208-001	SPRING WASHER	1	1		
3	560	922-908-004	NUT	1	1		
3	562	394-365-250	WATER TANK CPL.	1	1		
3	563	394-365-295	TANK COVER CPL.	1	1		
3	564	980-114-921	LABEL	1	1		
3	566	394-365-310	TANK HOLDER	2	2		
3	567	394-365-320	PLUG	1	1		
3	569	394-365-200	PLUG	1	1		
3	573	965-603-060	HOSE CLIP	1	1		
3	574	965-453-830	HOSE	1	1		
3	575	123120-4	COUPLING SLEEVE	1	1		
3	575	964-802-400	COUPLING SLEEVE	1	1		
3	575	964-802-271	COUPLING SLEEVE	1	1		