



DS 700

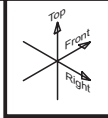
DS 800

Spare parts

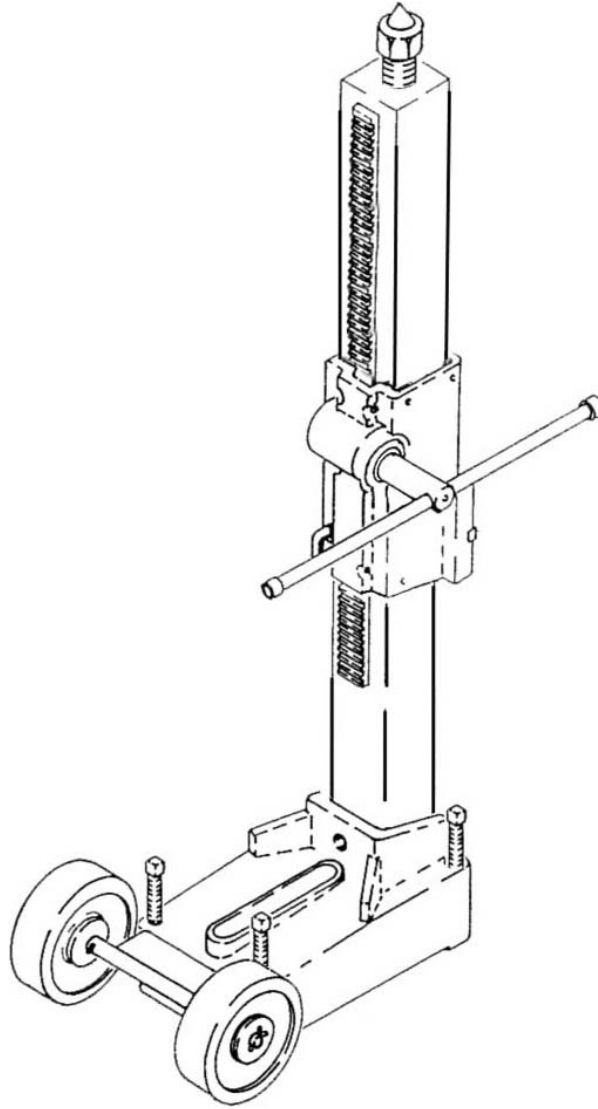
Pieces de rechange

Piezas de repuesto

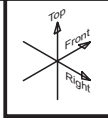
DS700 with Small Base
- Assembled View -



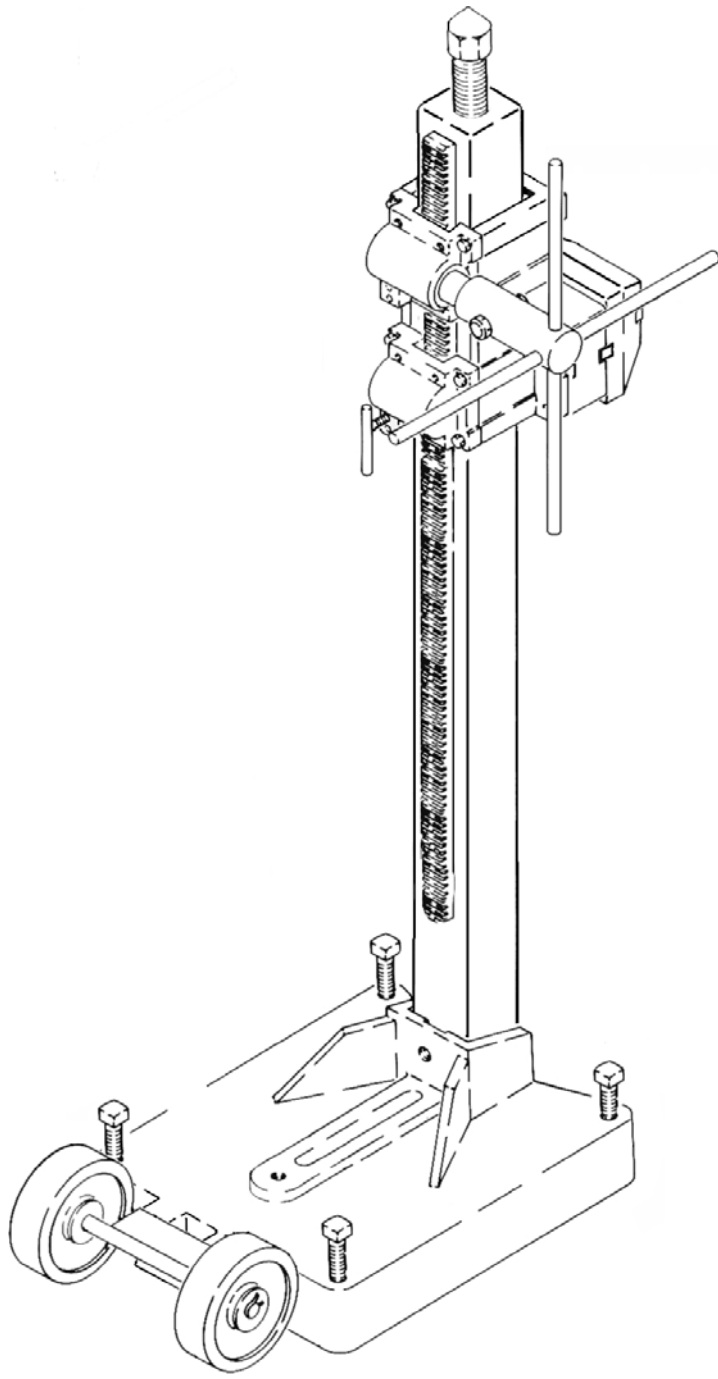
08.02.07



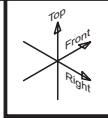
DS800 with Combination Base
- Assembled View -



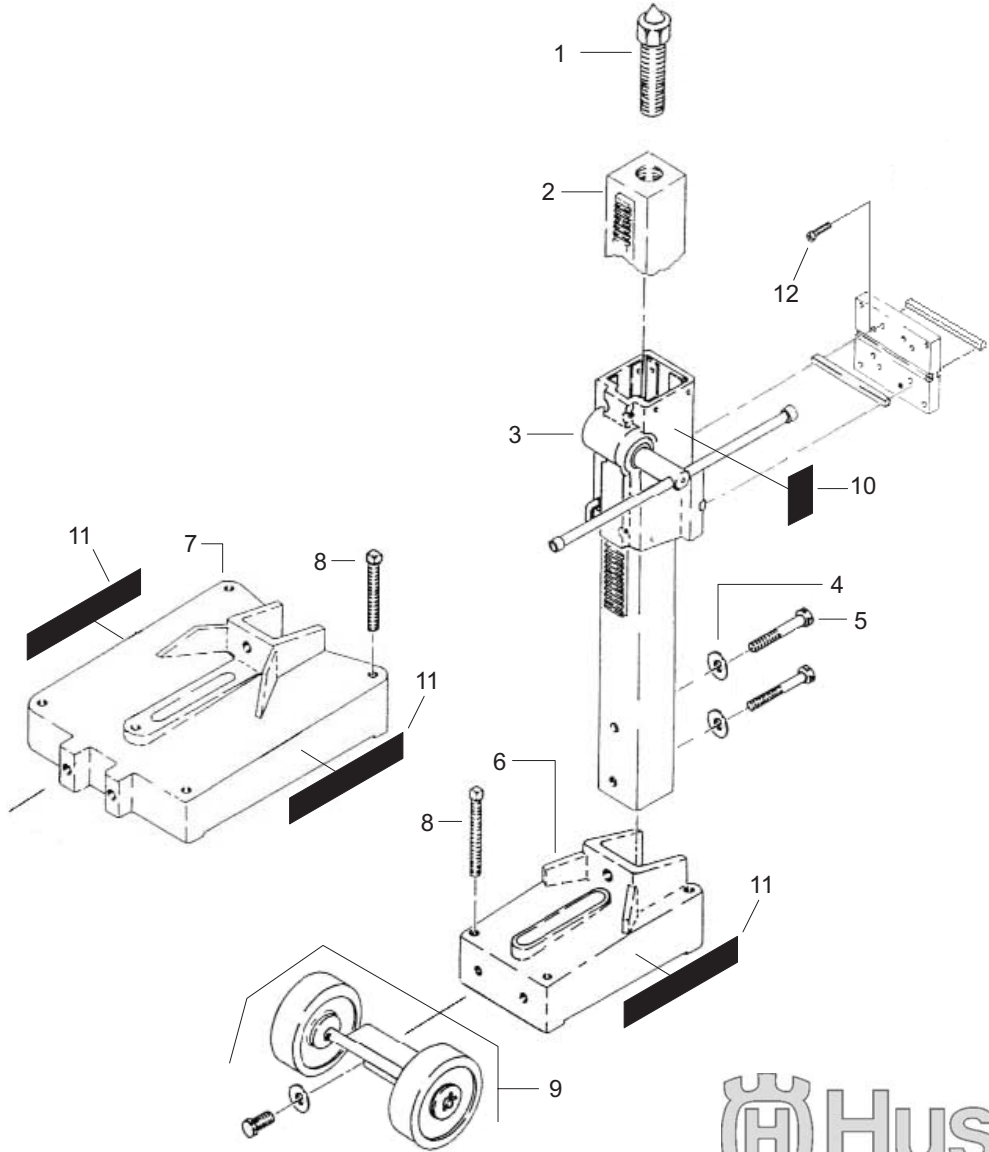
08.02.07



A Drill Stand - DS700



12.05.07

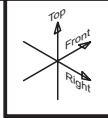


WARNING
 Read and understand entire operator's manual before operating this machine.
IF YOU DO NOT HAVE AN OPERATORS MANUAL, CALL TOLL FREE 1-800-288-5040.
 Do not operate unless base is properly secured.

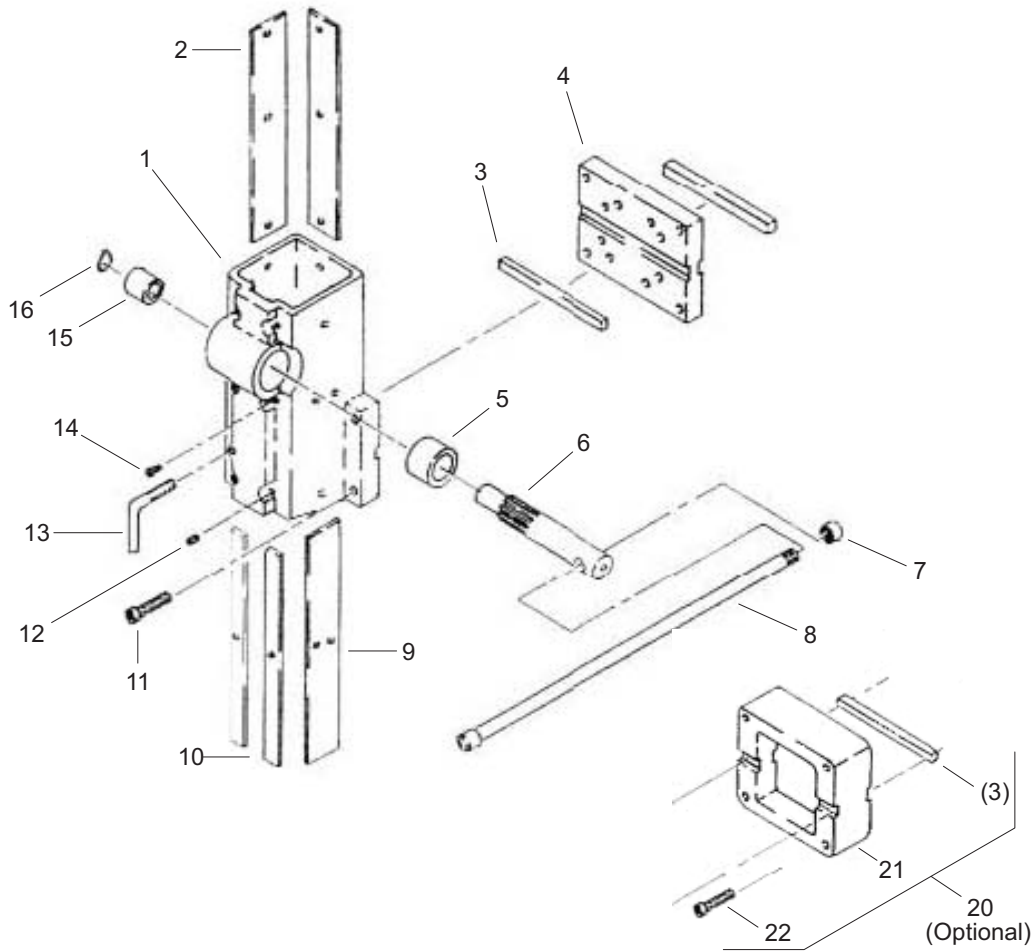
Husqvarna
DS 700

Pos.	Part No.	Description	Qty.	Notes
1	541 40 17-34	Screw, Ceiling Jack, 1"-8UNC	1	
2	541 40 17-85	Column w/ Rack - 2-1/2" Sq x 42"	1	
3	541 40 17-28	Carriage, Slide - compl	1	See Diag B
4	020745	Washer, Flat 1/2"	2	
5	020415	Capscrew, Hex Hd 1/2-13 x 3.25"	2	
6	541 40 38-94	Base, Small, DS700 - Husq Orange	1	
7	541 40 38-96	Base, Large, DS700 - Husq Orange	1	See Diag I for Vacuum Base
8	020219	Capscrew, Sq Hd 1/2-13 x 4"	4	
9	541 40 11-26	Axle & Wheels - compl	1	See Diag F
10	174545	Decal, WARNING - Secure / Read	1	
11	502 46 42-01	Decal, HUSQVARNA DS700	2	
12	020470	Capscrew, Soc Hd 1/4-20 x 1"	4	For Milwaukee Motor
12	020469	Capscrew, Soc Hd 1/4-28 x 1"	4	For Dewalt Motor
12	174446	Capscrew, Soc Hd M8-1.25 x 25	4	For Cardi Motor

B Carriage, Slide - DS700

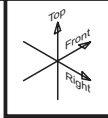


12.04.07

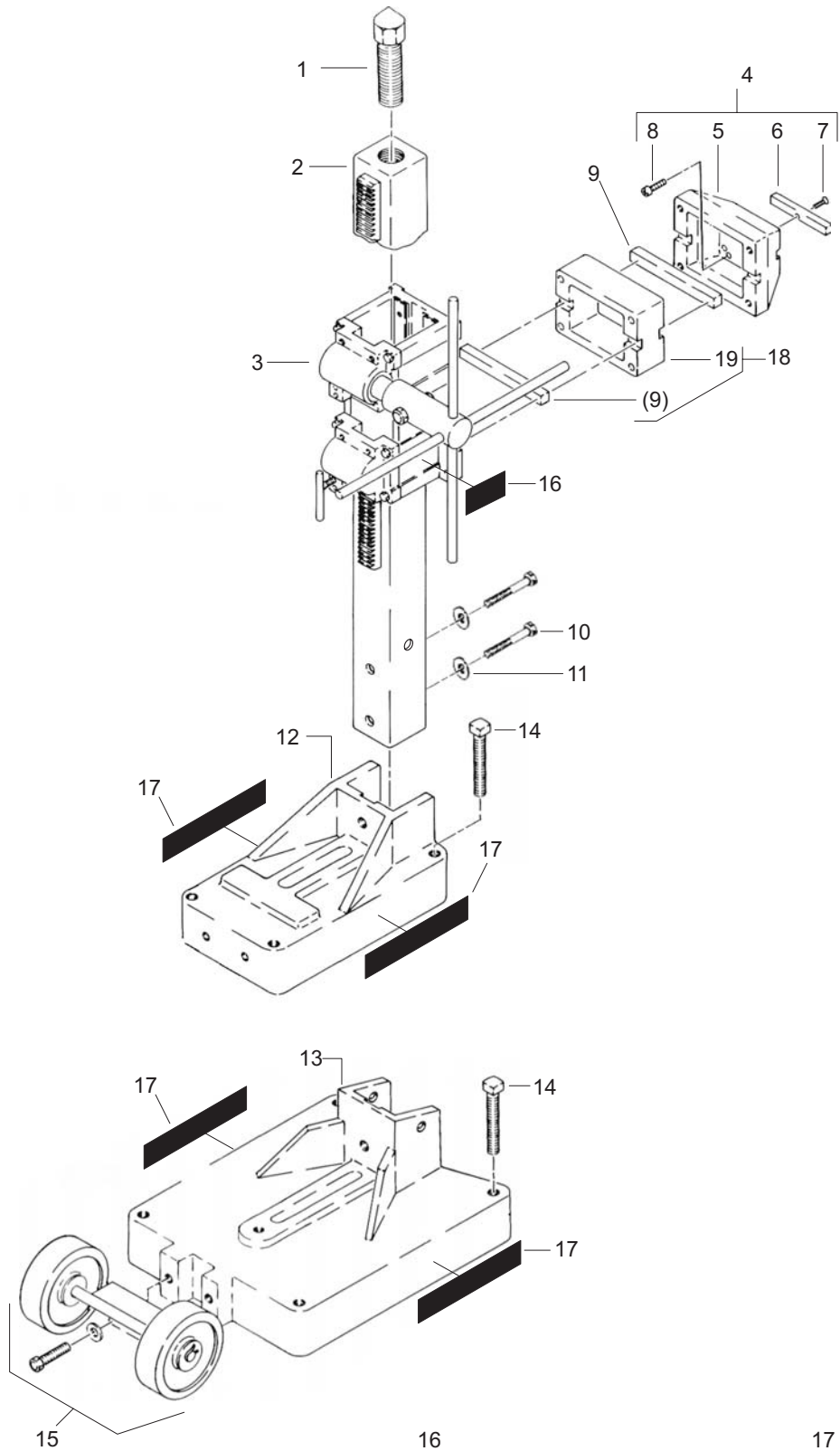


Pos.	Part No.	Description	Qty.	Notes
	541 40 17-28	Carriage, Slide, DS700 - compl	1	Incls: 1 - 16
1	541 40 17-08	Body, Carriage - Husq Orange	1	
2	541 40 17-04	Plate, Wear, Wide - Fixed	2	
3	541 40 17-68	Key, 3/8" Sq x 5.0	2	
4	541 40 17-74	Plate, Motor Adapter	1	
5	541 40 17-47	Bushing, Bronze - 1"ID x 1-1/4 OD x 7/8	1	
6	541 40 17-24	Pinion, Slide Handle Type	1	
7	541 40 17-13	Cap, Slide Handle	1	
8	541 40 17-19	Slide, Handle	1	
9	541 40 17-00	Plate, Wear, Wide - Adjustable	1	
10	541 40 17-56	Plate, Wear, Narrow - Adjustable	2	
11	091067	Capscrew, Soc Hd 3/8-16 x 1-1/2"	4	
12	020541	Screw, Set, Soc 1/4-20 x 3/8"	6	
13	166038	Knob, Carriage Lock DS700	1	
14	541 40 37-63	Mach Screw, Flat Hd 10-32 x 3/8" Brass	10	
15	541 40 17-52	Bushing, Bronze - 5/8"ID x 7/8 OD x 7/8	1	
16	541 40 17-43	Ring, Retaining	1	
				** Optional **
20	504 54 41-01	Kit, 2" Spacer Block, DS700	1	Incls: 21 - 22, (3)
21	541 20 19-93	Block, 2" Spacer, DS700 Husq Orange		
22	020479	Capscrew, Soc Hd 3/8-16 x 3-1/2"	1	
(3)	541 40 17-68	Key, 3/8" Sq x 5.0	1	

C Drill Stand - DS800



07.31.07



WARNING
 Read and understand entire operator's manual before operating this machine.
 IF YOU DO NOT HAVE AN OPERATORS MANUAL, CALL TOLL FREE 1-800-288-5040.
 Do not operate unless base is properly secured.

Husqvarna
DS 800

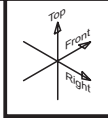
C

Drill Stand, DS 800 Parts List

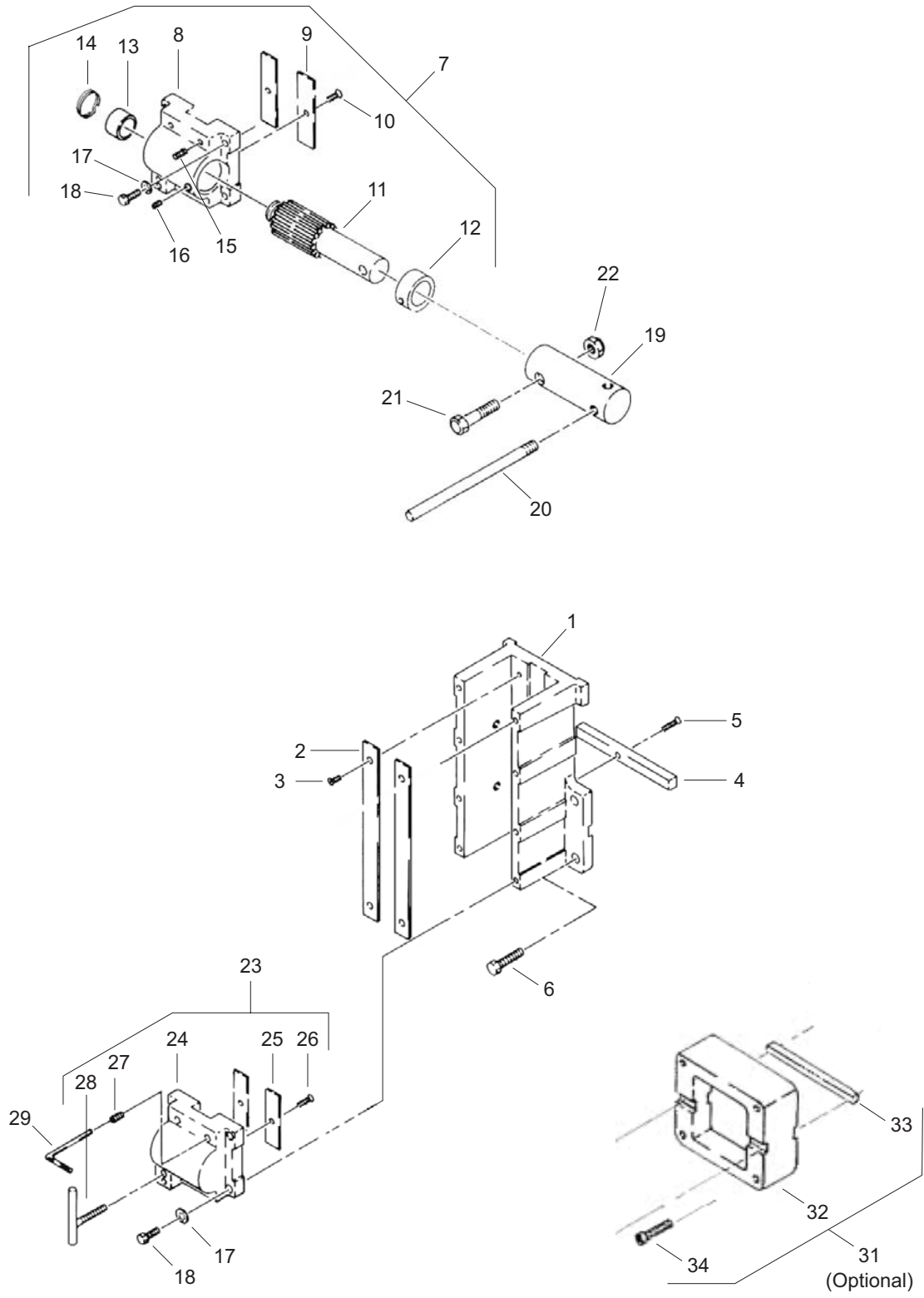
07.31.07

Pos.	Part No.	Description	Qty.	Notes
1	541 40 11-37	Screw, Ceiling Jack, 1-1/4"-7NC	1	
2	541 40 25-74	Column w/ Rack - 2-7/8" Sq x 42"	1	2-7/8" Sq x 42" Standard
		Extra Length Drill Columns		
-	541 40 11-09	Column w/ Rack - 2-7/8" Sq x 60"	1	
-	541 40 11-07	Column w/ Rack - 2-7/8" Sq x 72"	1	
-	541 40 11-05	Column w/ Rack - 2-7/8" Sq x 80"	1	
-	541 40 42-56	Column w/ Rack - 2-7/8" Sq x 120"	1	
3	541 40 05-62	Carriage, Side, DS800 - compl	1	See Diag D
3	541 40 15-07	Carriage, Roller, DS800 - compl	1	See Diag E
4	541 40 12-40	Adapter, Motor Mtg, DS 800 - compl	1	Incls: 3 - 5
5	541 40 12-83	Adapter, Motor Mtg, DS800	1	
6	541 40 12-77	Key, .375" Sq x 3.625	1	
7	541 20 50-36	Screw, Flat Hd, 8-32 x 3/4"	1	
8	020470	Capscrew, Soc Hd 1/4-20 x 1"	4	For Milwaukee Motor
8	020469	Capscrew, Soc Hd 1/4-28 x 1"	4	For Dewalt Motor
8	174446	Capscrew, Soc Hd M8-1.25 x 25	4	For Cardi Motor
9	541 40 04-98	Key, .500" Sq x 6	1	
10	020495	Capscrew, Hex Hd 5/8-11 x 4"	2	
11	020747	Washer, Flat 5/8"	2	
12	541 40 38-95	Base, Small, DS800 - Husq Orange	1	
13	502 49 40-01	Base, Combination, DS800 - Husq Orange	1	See Diag I for Vacuum Base
14	541 40 35-19	Capscrew, Sq Hd 3/4-10 x 4"	4	
15	541 40 11-26	Axle & Wheels - compl	1	See Diag F
16	174545	Decal, WARNING - Secure / Read	1	
17	502 46 43-01	Decal, HUSQVARNA DS800	1	
				** Optional Accessories **
18	504 54 42-01	Kit, 2" Spacer Block, DS800	1	Incls: 19 & (9)
19	502 62 48-01	Block, 2" Spacer, Husq Orange	1	
(9)	541 40 04-98	Key, .50 Sq x 5.88"	1	
	539 30 08-70	Capscrew, Hex Hd, .375-16 x 3.5	4	(Not Shown) See Diag D

D Carriage, Slide - DS800



05.15.07



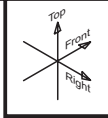
D

Slide Carriage, DS 800 Parts List

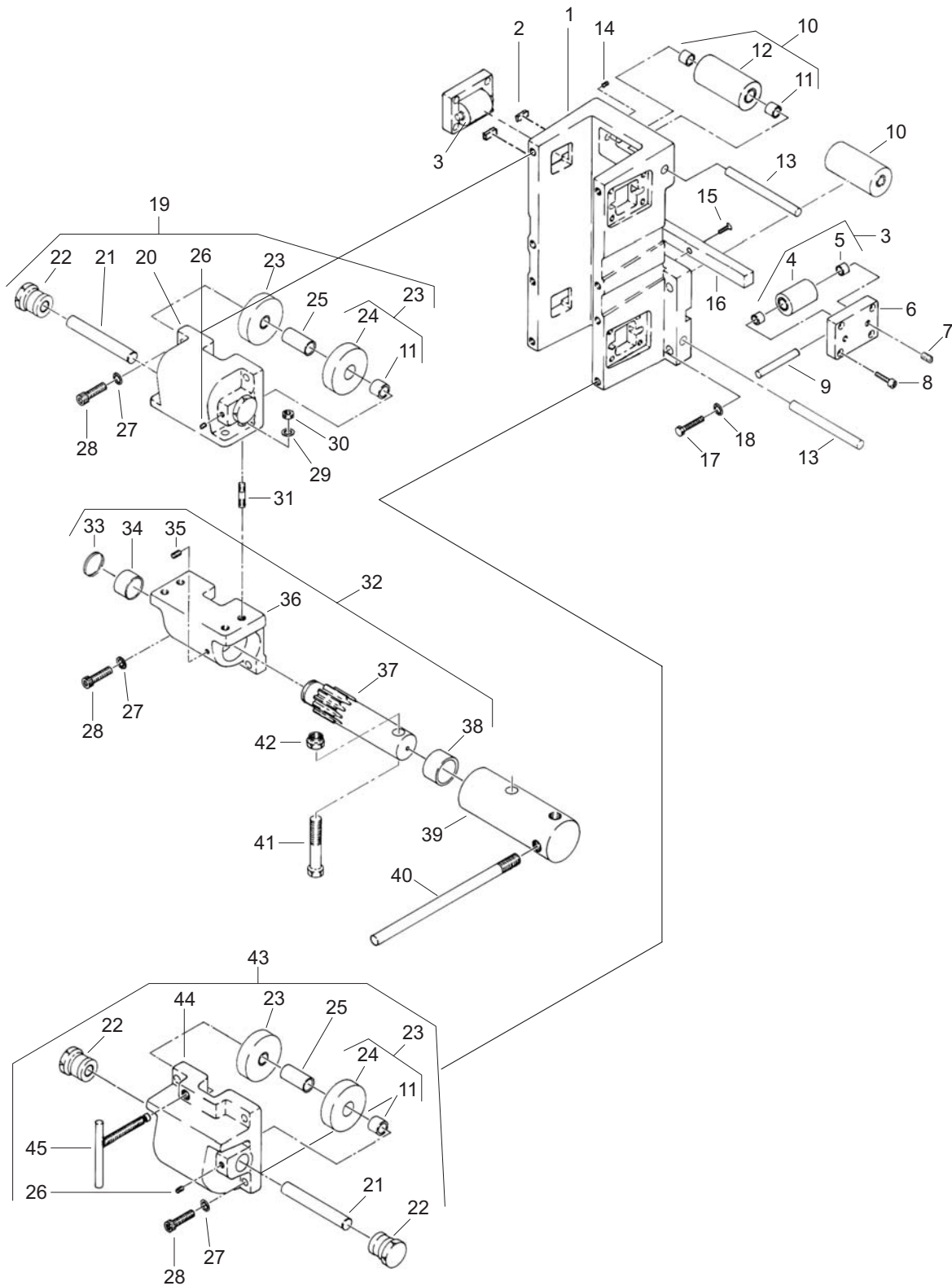
08.01.07

Pos.	Part No.	Description	Qty.	Notes
--	541 40 05-62	Carriage, Slide, DS800 - compl	1	Incls: 1 - 29
1	541 40 38-78	Body, Carriage, Husq Orange	1	
2	541 40 05-05	Plate, Wear, .75 x 9.50"	2	
3	541 40 22-57	Screw, FL Hd Mach, #8-32 x .375 Brass	4	
4	541 40 12-77	Key, .375 Sq x 3.63"	1	
5	541 20 50-36	Screw, FL Hd Mach, #8-32 x .75 Brass	1	
6	539 99 06-55	Capscrew, Hex Hd, .375-16 x 1.50	4	
7	541 40 04-71	Pinion Bracket - compl	1	Incls: 8 - 16
8	541 40 04-62	Bracket, Pinion, Husq Orange	1	
9	541 40 04-58	Plate, Wear, .62 x 2.88"	2	
10	541 40 22-57	Screw, FL Hd Mach, #8-32 x .375 Brass	2	
11	541 40 04-59	Gear, Pinion, DS800	1	
12	541 40 04-57	Bushing, 1.129ID x 1.378OD x .750	1	
13	541 40 04-56	Bushing, .753ID x 1.003OD x .750	1	
14	541 40 14-72	Retaining Ring .750 D	1	
15	020674	Screw, Soc Hd, .25-20 x .75 HK	4	
16	541 40 37-54	Screw, Soc Hd, .25-20 x .312 Dog Pt	1	
17	020793	Lockwasher, .3125 Int. Tooth	8	
18	048742	Capscrew, Hex Hd, .3125-18 x 1.25	8	
19	541 40 25-13	Hub, Handle, Carriage DS800	1	
20	541 40 04-11	Handle, Carriage DS800	1	
21	541 20 49-43	Capscrew, Hex Hd, 1/2-13 x 2-1/4	1	
22	020201	Locknut, Fiber .5-13	1	
23	541 40 04-47	Lower Bracket - compl	1	Incls: 24 - 28
24	541 40 04-41	Bracket, Brake, Husq Orange	1	
25	541 40 04-58	Plate, Wear, .62 x 2.88"	2	
26	541 40 22-57	Screw, FL Hd Mach, #8-32 x .375 Brass	2	
27	020674	Screw, Soc Hd Set, .25-20 x .75 HK	4	
28	541 40 04-40	Screw, Lock - Lower Bracket	1	
29	90140	Wrench, Key, 1/8" Allen Type	1	** Optional **
31	504 54 42-01	Kit, 2" Spacer Block, DS800	1	Incls: 32 - 34
32	502 62 48-01	Block, 2" Spacer, Husq Orange	1	
33	541 40 04-98	Key, .50 Sq x 5.88"	1	
34	539 30 08-70	Capscrew, Hex Hd, .375-16 x 3.5	4	

E Carriage, Roller - DS800



05.16.07



E

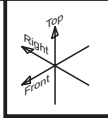
Roller Carriage, DS 800
Parts List

12.04.07

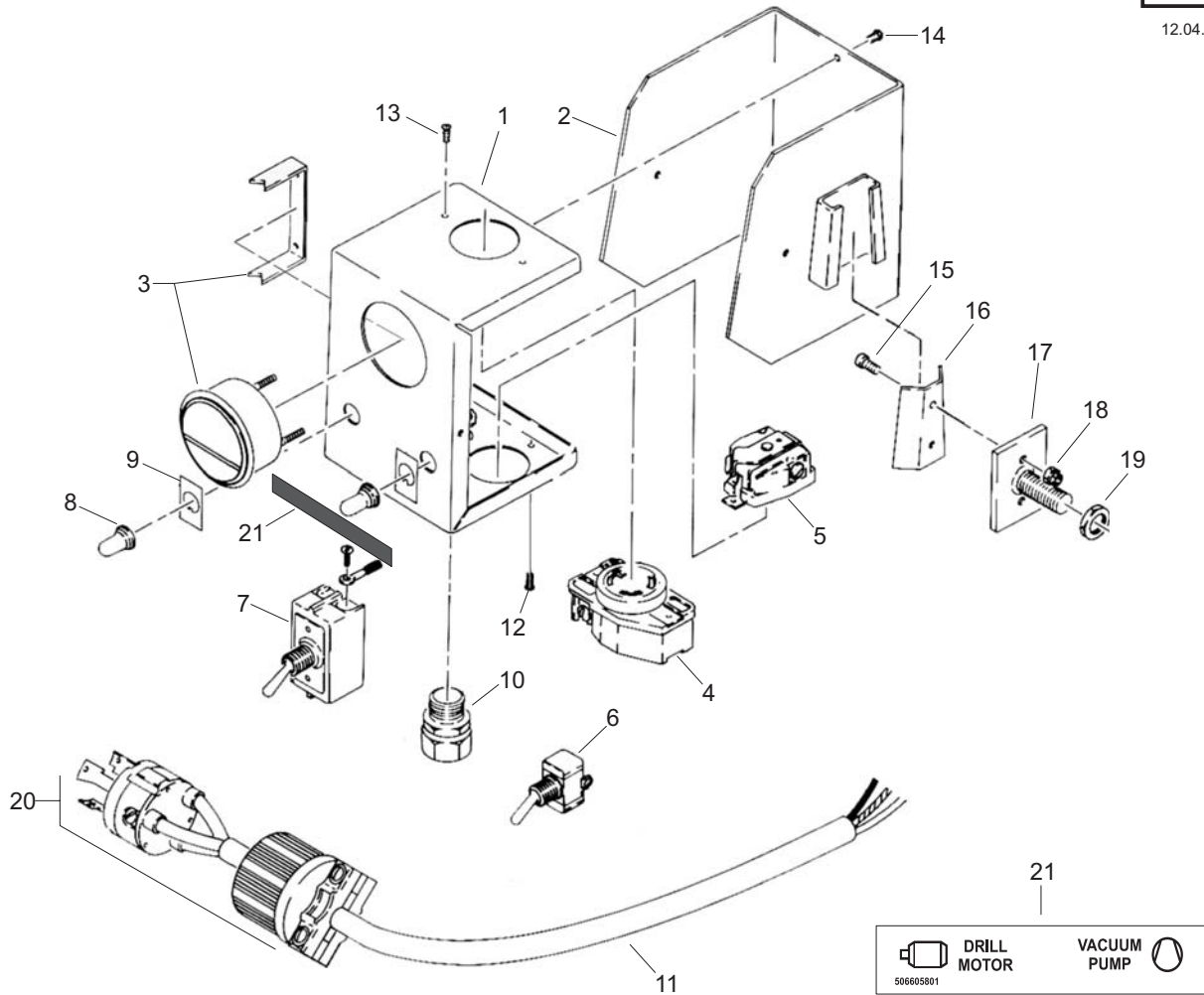
Pos.	Part No.	Description	Qty.	Notes
--	541 40 15-07	Roller Carriage w/ Handle	1	Incls: 1 - 45
1	541 40 38-42	Body, Roller Carriage, Husq Orange	1	
2	541 40 15-57	Spacer, Rubber, Side Roller	4	
3	541 40 15-38	Roller, Side - compl	4	Incls: 4 - 5
4	502 44 89-01	Roller, Side	1	
5	541 40 15-41	Bushing, .252ID x .377OD x .25	2	
6	541 40 38-43	Housing, Roller Husq Orange	4	
7	020670	Screw, Soc Hd Set, .25-20 X .5 Cup Pt	8	
8	020386	Capscrew, Soc Hd, 10-24 x .75 Gr8	16	
9	541 40 15-44	Shaft, Side Roller	4	
10	541 40 15-25	Roller, Carriage - compl	2	Incls: 11 - 12
11	541 40 15-40	Bushing, .377ID x .502OD x .50	2	
12	502 44 88-01	Roller, Carriage	1	
13	541 40 15-22	Shaft, Roller	2	
14	541 40 22-75	Screw, Soc Hd Set, 10-24 x .312 Cup Pt	2	
15	541 20 50-36	Screw, Fl Hd 8-32 x 3/4" Brass	1	
16	541 40 04-98	Key, .500 Sq x 5.88"	1	
17	539 99 06-55	Capscrew, Hex Hd, .375-16 x 1.5	4	
18	541 20 52-45	Washer, Lock 3/8", Int Tooth	4	
19	541 40 15-64	Upper Roller Housing - compl	1	Incls: 20 - 26
20	541 40 15-62	Housing, Roller, Top, Husq Orange	1	
21	541 40 15-33	Shaft, Eccentric Adj. Roller	1	
22	541 40 15-46	Adjuster, Eccentric Roller	2	
23	541 40 15-37	Roller, Adjustable - compl	2	Incls: 24 & 11(x1)
24	502 44 87-01	Roller, Adjustable	1	
25	541 40 15-31	Spacer, Roller	2	
26	020541	Screw, Soc Hd Set, .25-20 x .375 Cup Pt	1	
27	020793	Washer, Lock, 5/16 Internal Tooth	8	
28	162699	Capscrew, Soc Hd, .3125-18 x 1.25 Gr8	8	
29	020762	Washer, Flat SAE .25	4	
30	166887	Nut, Hex Jam .25-28	4	
31	541 40 14-68	Stud, TBE, .25-20 / .25-28 x 1.00	4	
32	541 40 15-00	Pinion Bracket - compl	1	Incls: 33 - 38
33	541 40 14-72	Retaining Ring, .750 D	1	
34	541 40 14-76	Bushing, .753ID x .876 OD x .75	1	
35	541 40 37-54	Screw, Soc Hd Set, .25-20 x .312 Dog Pt	1	
36	541 40 14-81	Bracket, Pinion, Husq Orange	1	
37	541 40 04-59	Gear, Pinion, DS 800	1	
38	541 40 14-74	Bushing, 1.128ID x 1.313OD x .750	1	
39	541 40 25-13	Hub, Handle	1	
40	541 40 04-11	Handle	4	
41	541 20 49-43	Capscrew, Hex Hd, 1/2-13 x 2-1/4	1	
42	020201	Locknut, Fiber .50-13	1	
43	541 40 15-27	Lower Roller Housing - compl	1	Incls: 21, 22, 24-26, 44, 45
44	541 40 15-17	Housing, Roller Lower, Husq Orange	1	
45	541 40 15-15	Screw, Lock, DS800	1	

F

Control Panel - DS700/800

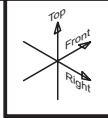


12.04.07

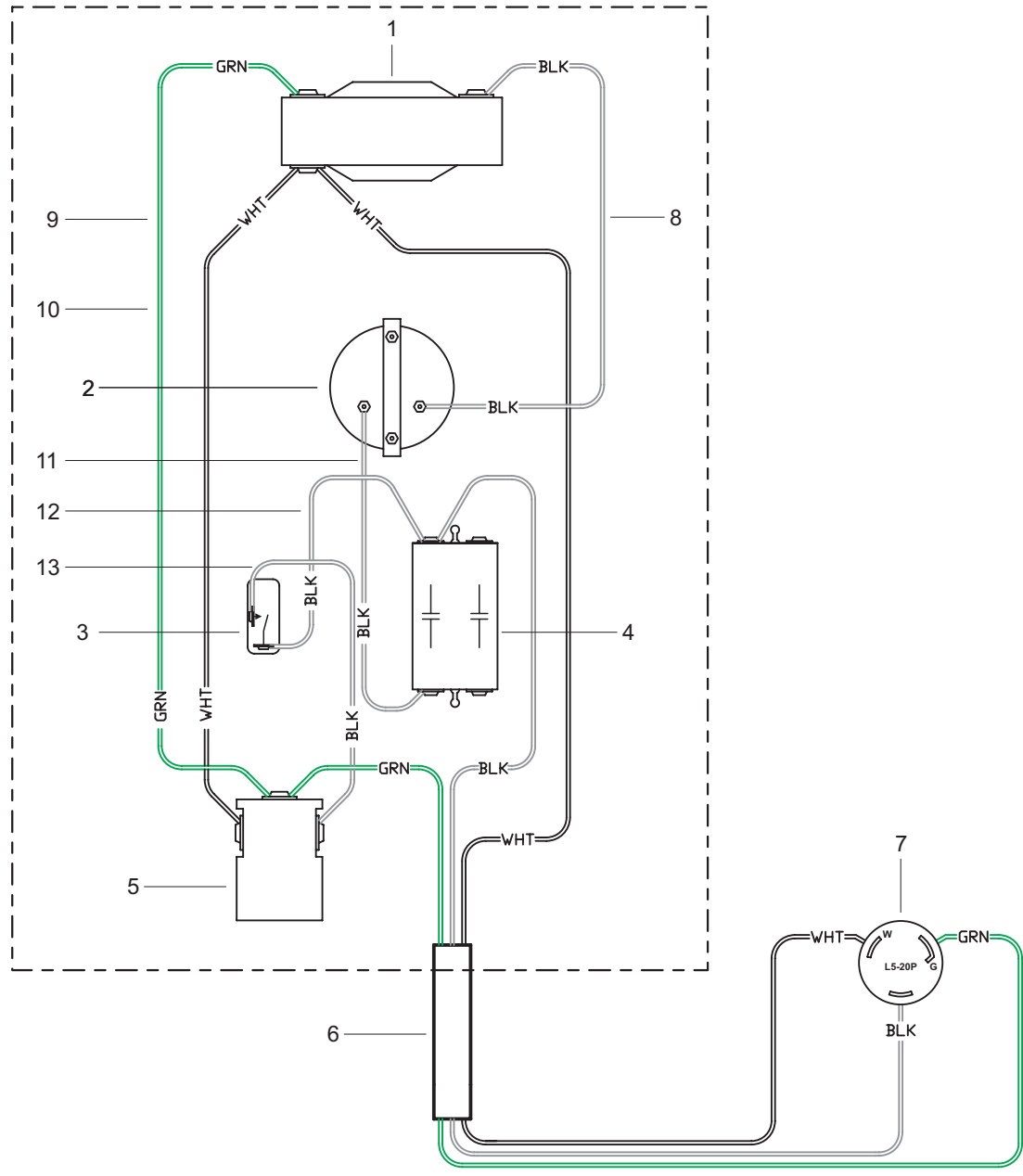


Pos.	Part No.	Description	Qty.	Notes
--	541 40 40-16	Control Panel, 20 Amp - compl	1	Incls: 1 - 20
1	541 40 14-42	Panel, Front Husq Gray	1	
2	541 40 14-40	Panel, Back Husq Gray	1	
3	541 20 19-07	Ammeter, 0-30A	1	
4	541 40 10-37	Receptacle, 125-20A, Single Twist Lock	1	For Drill Motor
5	541 40 14-38	Receptacle, 125-15A, Single	1	For Vacuum Pump
6	541 20 19-76	Switch, Toggle	1	For Vacuum Pump
7	541 40 10-18	Switch, Toggle	1	For Drill Motor
8	182146	Boot, Half - Toggle Switch	2	
9	090552	Switch Plate	2	
10	541 40 36-77	Strain Relief	1	
11	541 40 02-46	Wire, 12/3 SOW (Per Foot)	1	Power Cord
12	541 40 37-64	Capscrew, Button Hd 8-32 x 3/8"	2	
13	541 40 37-66	Capscrew, Button Hd 6-32 x 3/8"	2	
14	541 40 37-67	Capscrew, Button Hd 10-32 x 1/4"	4	
15	162496	Capscrew, Soc Hd 1/4-20 x 3/4"	2	
16	541 40 14-44	Clip, Dovetail - Male	1	
17	541 40 14-46	Bracket, Mounting Adapter, 1/2-20 UNF	1	
18	020195	Locknut, Fiber .25-20	2	
19	15701488	Jam Nut, 1/2-20 UNF	1	
20	030103	Plug, 125V-20A, Twist Lock L5-20P	1	
21	506 60 58-01	Decal, Control Panel, DS700/800	1	Drill Motor - Vacuum Pump

G Control Panel Wiring - DS700/800



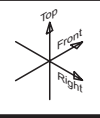
12.04.07



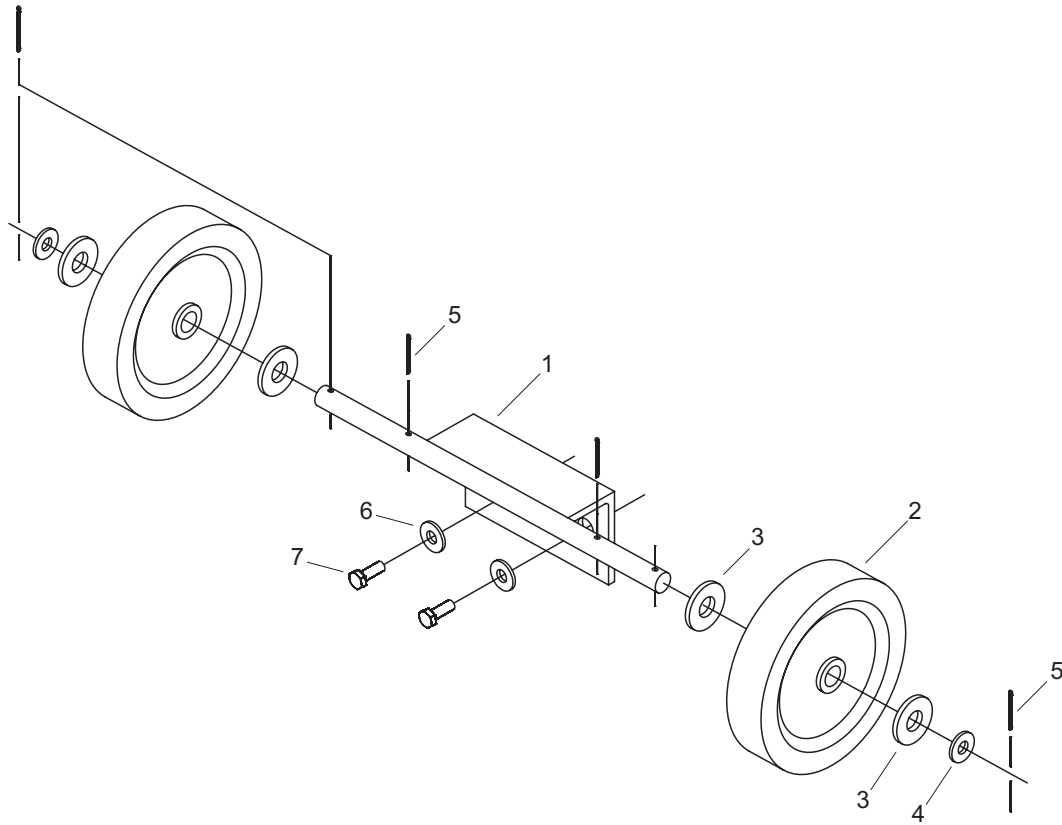
Pos.	Part No.	Description	Qty.	Notes
1	541 40 10-37	Receptacle, 20A, Single	1	L5-20R (Drill Motor)
2	541 20 19-07	Ammeter, 0-30A	1	
3	541 20 19-76	Switch, Toggle	1	For Vacuum Pump
4	541 40 10-18	Switch, Toggle	1	For Drill Motor
5	541 40 14-38	Receptacle, 15A, Single	1	5-20R (Vacuum Pump)
6	541 40 02-46	Wire, 12/3 SOW	1	Power Cord
7	030103	Plug, 125V-20A, Twist Lock L5-20P	1	For 20 Amp Control Panel
8	504 56 01-01	Wire, Jumper, 12 AWG x 4.75", Black	1	
9	504 56 01-02	Wire, Jumper, 12 AWG x 4.75", Green	1	
10	504 56 01-03	Wire, Jumper, 12 AWG x 4.75", White	1	
11	504 56 01-04	Wire, Jumper, 12 AWG x 5.75", Black	1	
12	504 56 01-05	Wire, Jumper, 16 AWG x 6.25", Black	1	
13	504 56 01-06	Wire, Jumper, 16 AWG x 4.0", Black	1	

H

Axle & Wheels - compl DS700/800

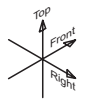


06.15.07

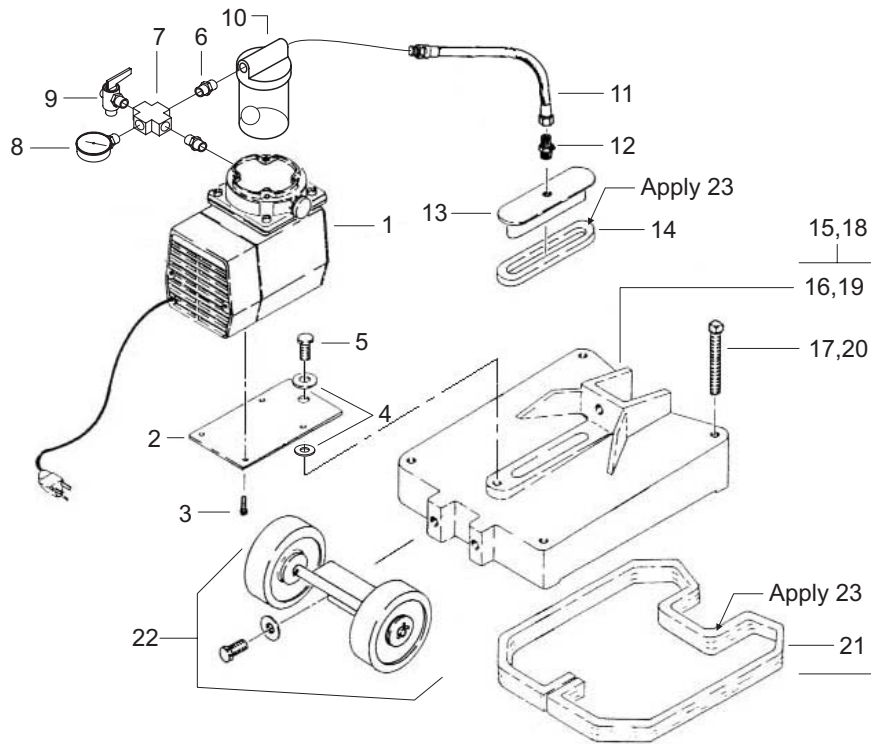


Pos.	Part No.	Description	Qty.	Notes
--	541 40 11-26	Axle & Wheels - compl	1	Incls: 1 - 7
1	502 62 14-01	Bracket, Axle	1	
2	541 40 17-91	Wheel, 5" Dia	2	
3	020767	Washer, Flat 5/8" SAE	2	
4	020747	Washer, Flat 5/8"	4	
5	020616	Pin, Cotter .125 x 1.5	4	
6	020766	Washer, Flat 1/2" SAE	2	
7	539 99 06-46	Capscrew, Hex Hd 1/2-13 x 1"	2	

Vacuum Pump & Combo Base - DS700/DS800



12.05.07

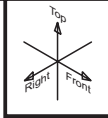


Pos.	Part No.	Description	Qty.	Notes
---	541 40 00-77	Vacuum Assy - Combo Base	1	Incls. Items 1 - 14
1	505 54 95-02	Pump, Vacuum 115V/60/1	1	Incls: Muffler
--	162120	Muffler, Vacuum Pump	1	
--	162119	Kit, Vacuum Pump Service	1	
2	541 40 16-40	Bracket, Pump Mounting	1	
3	020678	Capscrew, Soc Hd 10-32 x 3/4"	4	
4	541 40 37-98	Washer, Flat 1/2" SAE	2	
5	539 99 06-46	Capscrew, Hex Hd 1/2-13 x 1"	1	
6	090577	Pipe Fit., Hex Nipple 1/4 NPT - Brass	2	
7	174451	Pipe Fit., Female Cross 1/4 NPT - Brass	1	
8	090662	Gauge, Vacuum	1	
9	162439	Valve, Vacuum Release	1	
10	162438	Trap, Water - compl	1	Incls: Ball & Jar
--	175308	Ball, Water Trap	1	
--	175309	Jar, Water Trap	1	
11	162440	Hose, Vacuum Pump	1	
12	162441	Pipe Fit., Hex Nipple 1/4 NPT w/ 30 Deg Chamfer	1	
13	541 40 16-51	Cap, Slot	1	
14	541 40 19-81	Gasket, Slot Cap	1	
15	541 40 16-61	Base, Combo, DS700 - Compl	1	Incls: Items 16 - 17 & 21
16	541 40 38-96	Base, Large, DS700 - Husq Orange	1	
17	020219	Capscrew, Sq Hd 1/2-13 x 4"	4	
18	504 53 95-02	Base, Combo, DS800 - Compl	1	Incls: Items 19 - 20 & 21
19	502 49 40-01	Base, Large, DS800 - Husq Orange	1	
20	541 40 35-19	Capscrew, Sq Hd 3/4-10 x 4"	4	
21	541 20 19-85	Gasket, Combination Base	1	
22	541 40 11-26	Axle & Wheels - compl	1	See Diag F
23	090249	Adhesive, Tube - 5 OZ	1	Used on 14 & 21

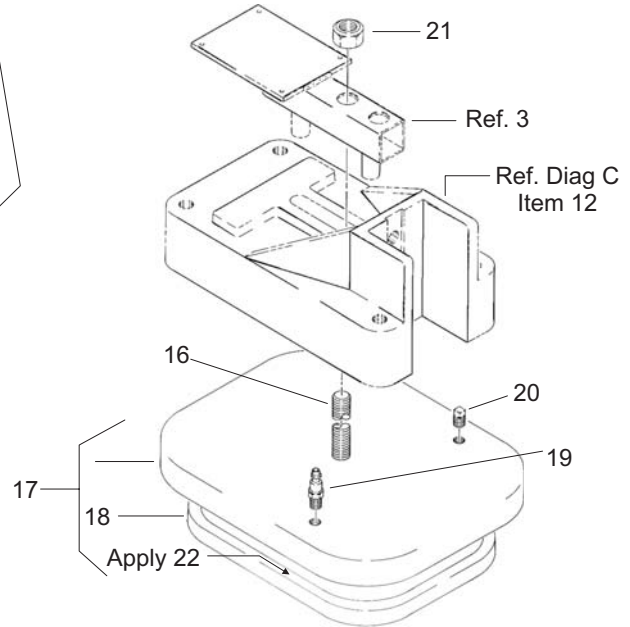
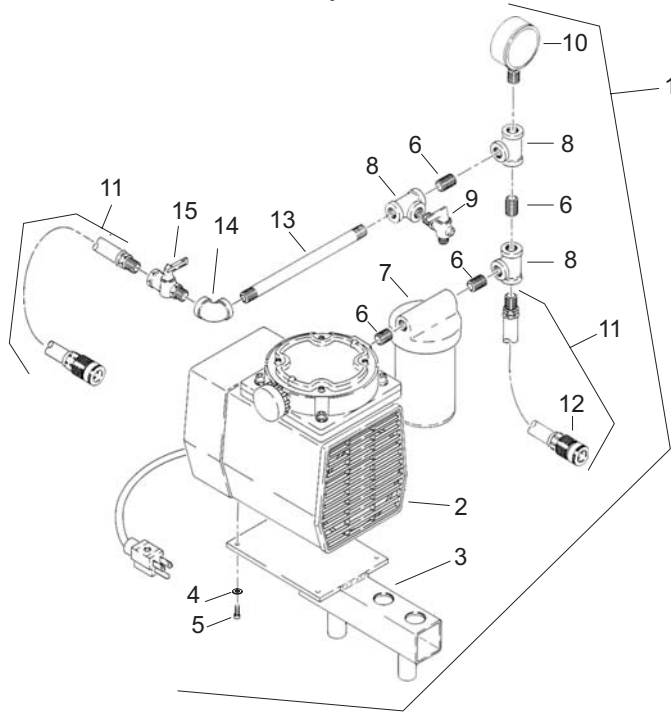
J

Vacuum System - Single Pad - DS700/DS800

541 40 00-57 - Compl



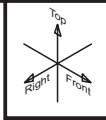
12.07.07



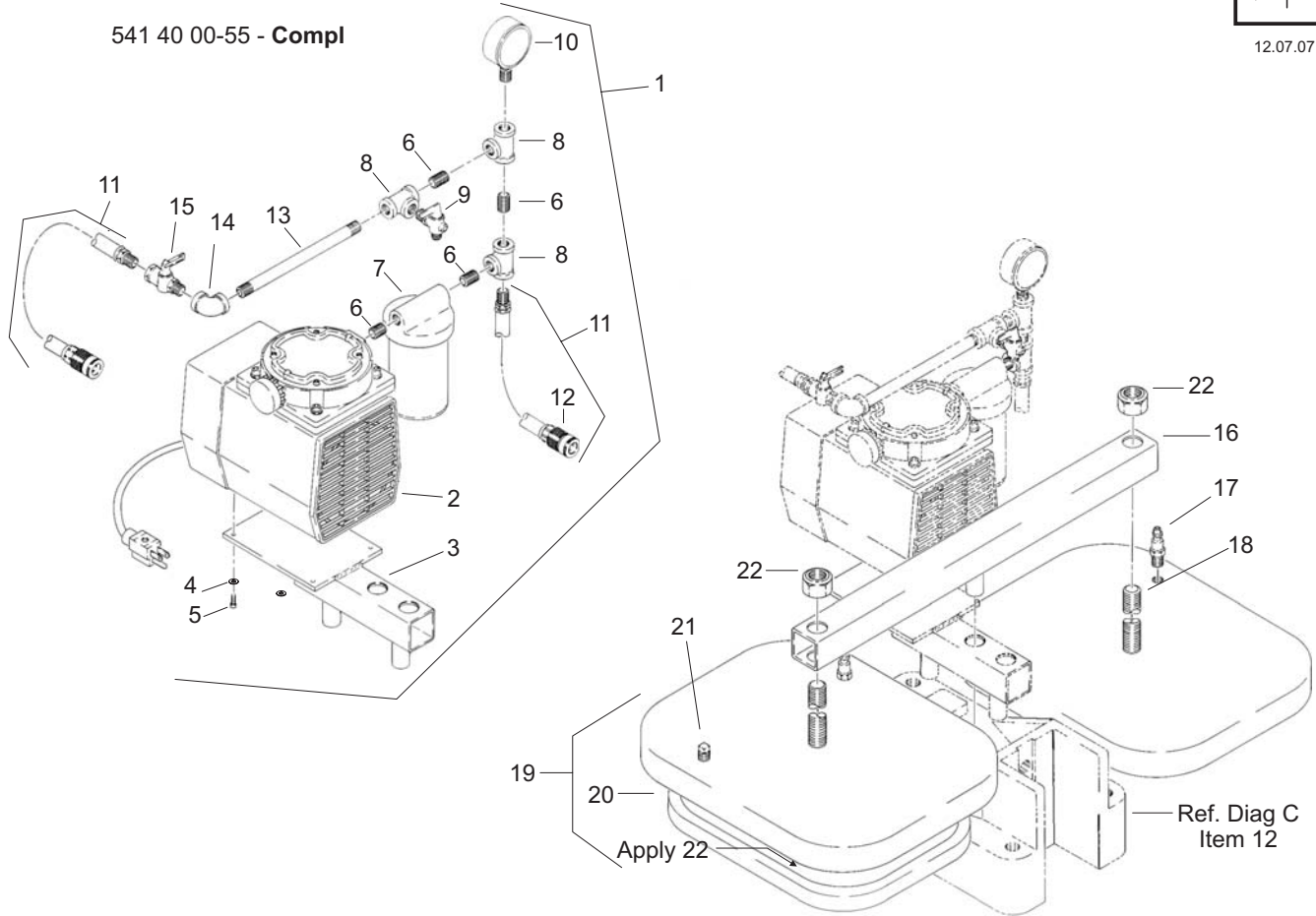
Pos.	Part No.	Description	Qty.	Notes
1	541 40 16-07	Vacuum Pump Assy	1	Includes Items 2 - 15
2	505 54 95-02	Pump, Vacuum	1	Incls: Muffer
--	162120	Muffer, Vacuum Pump	1	
--	162119	Kit, Vacuum Pump Service	1	
3	541 40 15-92	Frame - Vacuum Pump	1	
4	541 40 22-89	Washer, Flat 1/4 SAE	4	
5	541 20 52-52	Capscrew, Soc Hd 10-32 x 1/2	4	
6	541 40 24-23	Pipe Fit., Nipple 1/4 NPT x Close - Galv	4	
7	162438	Trap, Water	1	Incls: Ball & Jar
--	175308	Ball, Water Trap	1	
--	175309	Jar, Water Trap	1	
8	541 40 24-22	Pipe Fit., Female Tee 1/4 NPT - Galv	3	
9	162439	Valve, Release 1/4 NPT	1	
10	090662	Gauge, Vacuum	1	
11	541 40 15-08	Hose Assy	2	Includes Item 12
12	541 40 03-23	Body, Quick Disconnect, 1/4 PL	1	
13	541 40 23-59	Pipe Fit., Nipple 1/4 x 7 Galv	1	
14	541 40 23-58	Pipe Fit., 90 Deg Fem Elbow 1/4 NPT - Galv	1	
15	541 40 14-93	Valve Shut-Off - Single Pad	1	
16	541 40 14-05	Stud, Pad 3/4-10 x 8"	1	
17	541 40 19-32	Pad, Vacuum	1	Includes Rubber Gasket
18	541 40 19-30	Gasket, Rubber	1	Replacement Gasket
19	541 40 19-01	Stem, Quick Disconnect	1	
20	541 40 18-99	Pipe Fit., Plug 1/4 NPT	1	
21	541 40 37-48	Nut, Hex 3/4-10	1	
22	090249	Adhesive, Tube - 5 OZ	1	Used on 18

K**Vacuum System - Duel Pad - DS700/DS800**

541 40 00-55 - Compl



12.07.07

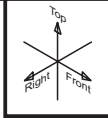


Pos.	Part No.	Description	Qty.	Notes
1	541 40 16-07	Vacuum Pump Assy	1	Includes Items 2 - 15
2	505 54 95-02	Pump, Vacuum	1	
--	162120	Muffler, Vacuum Pump	1	
--	162119	Kit, Vacuum Pump Service	1	
3	541 40 15-92	Frame - Vacuum Pump	1	
4	541 40 22-89	Washer, Flat 1/4 SAE	4	
5	541 20 52-52	Capscrew, Soc Hd 10-32 x 1/2	4	
6	541 40 24-23	Pipe Fit., Nipple 1/4 NPT x Close - Galv	4	
7	162438	Trap, Water	1	
--	175308	Ball, Water Trap	1	
--	175309	Jar, Water Trap	1	
8	541 40 24-22	Pipe Fit., Female Tee 1/4 NPT - Galv	3	
9	162439	Valve, Release 1/4 NPT	1	
10	090662	Gauge, Vacuum	1	
11	541 40 15-08	Hose Assy	2	Includes Item 12
12	541 40 03-23	Body, Quick Disconnect, 1/4 PL	1	
13	541 40 23-59	Pipe Fit., Nipple 1/4 x 7 Galv	1	
14	541 40 23-58	Pipe Fit., 90 Deg Fem Elbow 1/4 NPT - Galv	1	
15	541 40 14-93	Valve Shut-Off - Single Pad	1	
16	541 40 14-25	Bar, Cross - Duel Pad	1	
17	541 40 19-01	Stem, Quick Disconnect	2	
18	541 40 14-05	Stud, Pad 3/4-10 x 8"	2	
19	541 40 19-32	Pad, Vacuum	2	Includes Rubber Gasket
20	541 40 19-30	Gasket, Rubber	1	Replacement Gasket
21	541 40 18-99	Pipe Fit., Plug 1/4 NPT	2	
22	541 40 37-48	Nut, Hex 3/4-10	2	
23	090249	Adhesive, Tube - 5 OZ	1	Used on 20

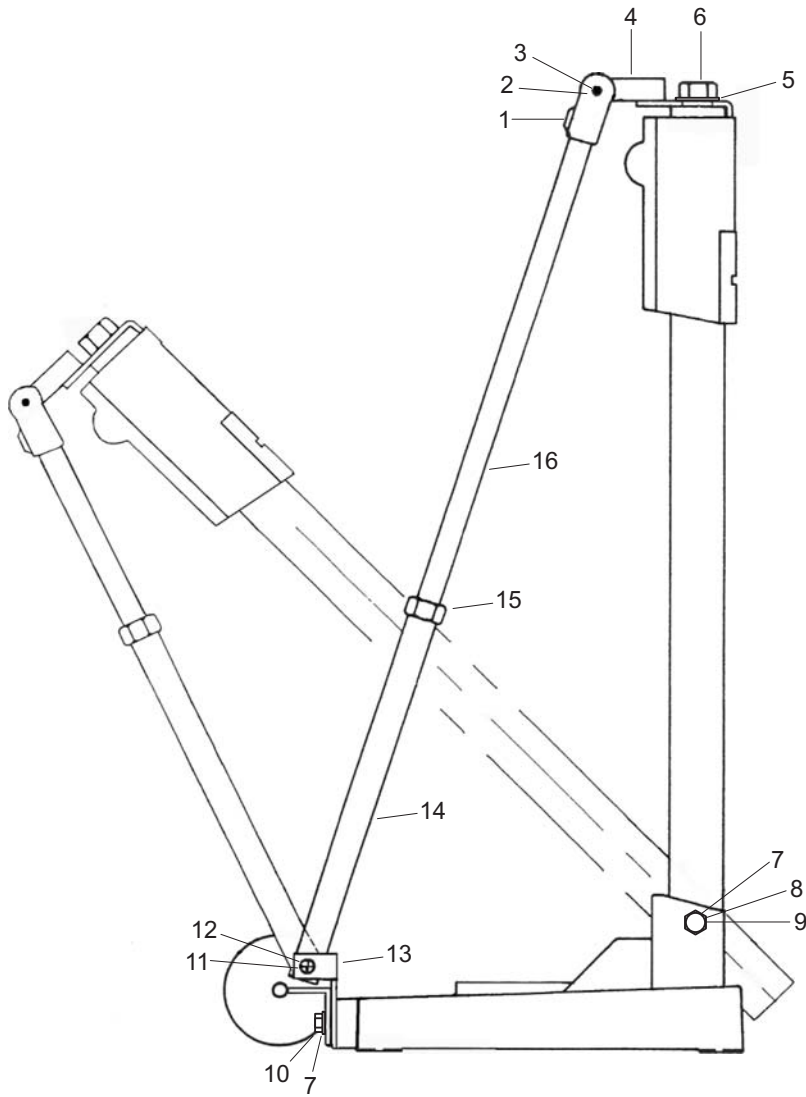


Angle Bracket - DS700

541 10 00-63 - Compl



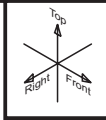
07.30.07



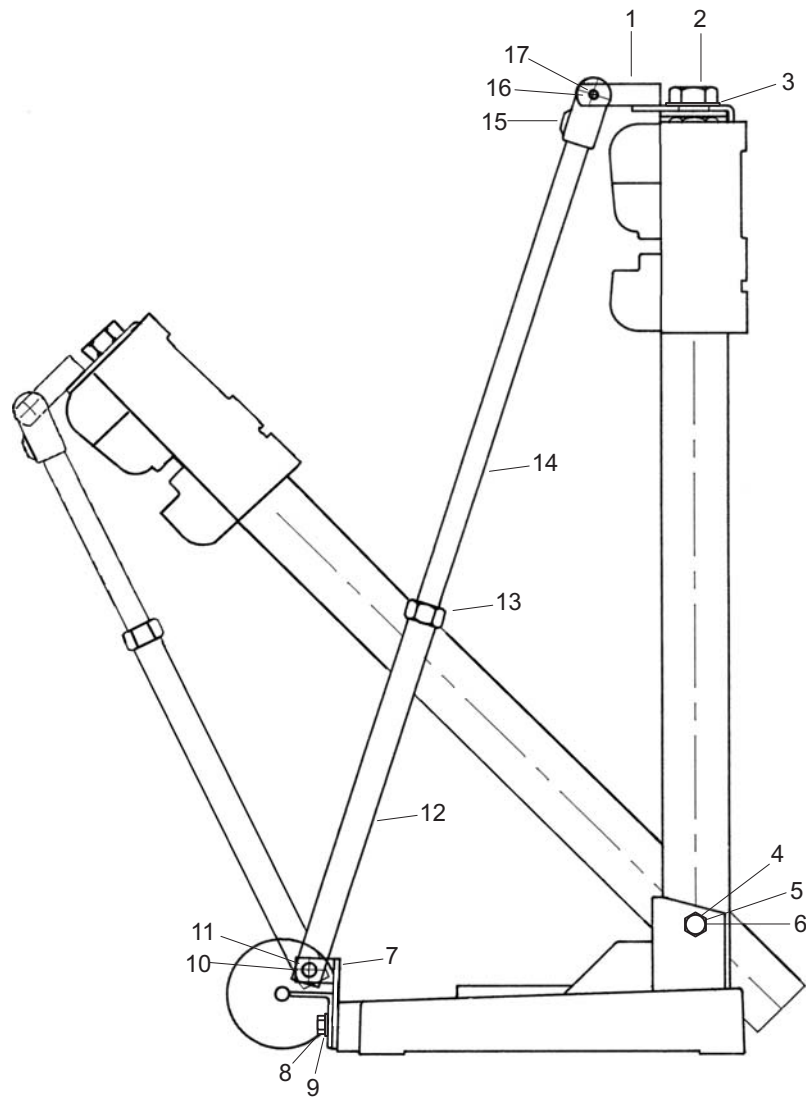
Pos.	Part No.	Description	Qty.	Notes
1	541 40 16-66	Adapter, Upper Bracket Rod	1	
2	541 40 37-89	Capscrew, Hex Hd, 3/8-16 x 1-1/2	1	
3	541 40 37-88	Locknut, Fiber 3/8-16	1	
4	541 40 16-71	Bracket, Upper Backstay	1	
5	541 40 37-96	Washer, Flat 1" SAE	1	
6	541 40 37-43	Capscrew, Hex Hd, 1" - 8 x 1-1/4	1	
7	541 40 37-98	Washer, Flat 1/2 SAE	3	
8	541 40 37-42	Capscrew, Hex Hd, 1/2-13 x 4-1/2	1	
9	541 40 37-81	Locknut, 1/2-13 Flexloc	1	
10	541 40 37-77	Capscrew, Hex Hd, 1/2-13 x 1-1/4	2	
11	541 40 36-53	Capscrew, Hex Hd, 5/8-11 x 2-1/2	1	
12	541 40 37-34	Locknut, 5/8-11 Thin Flexloc	1	
13	541 40 16-94	Bracket, Lower Backstay	1	
14	541 40 16-88	Backstay, Lower	1	
15	541 40 16-77	Nut, Jam - Backstay	1	
16	541 40 16-83	Backstay, Upper	1	

M**Angle Bracket - DS800**

541 10 00-62 - Compl



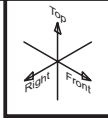
07.30.07



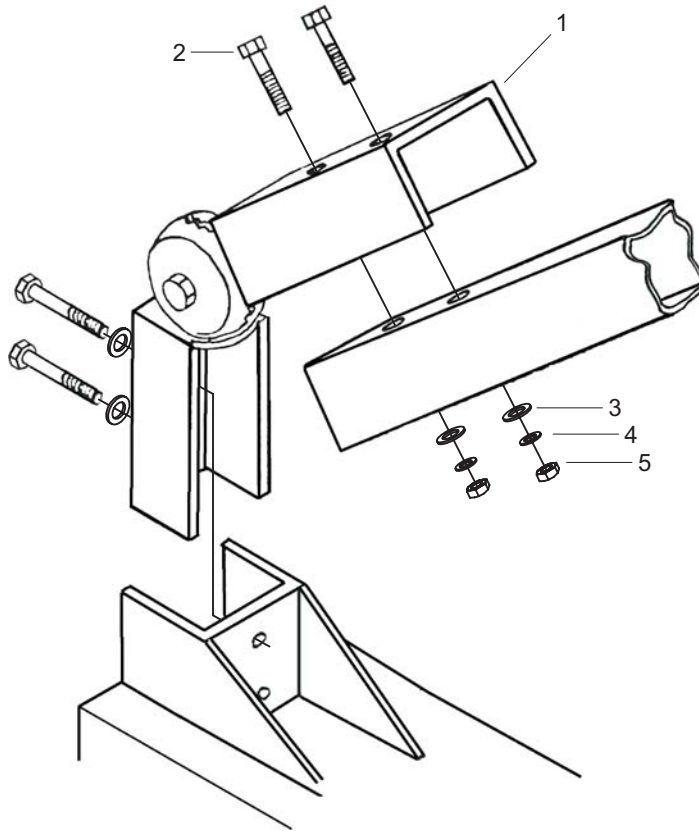
Pos.	Part No.	Description	Qty.	Notes
1	541 40 05-40	Bracket, Upper Backstay - DS800	1	
2	541 40 35-92	Capscrew, Hex Hd, 1-1/4" - 7 x 1-1/2	1	
3	541 40 35-93	Washer, Flat 1-1/4 SAE	1	
4	541 40 37-35	Washer, Flat 5/8 SAE	1	
5	541 40 37-34	Locknut, 5/8-11 Thin Flexloc	1	
6	541 40 35-94	Capscrew, Hex Hd, 5/8-11 x 4-1/4	1	
7	541 40 16-94	Bracket, Lower Backstay	1	
8	541 40 37-77	Capscrew, Hex Hd, 1/2-13 x 1-1/4	2	
9	541 40 37-98	Washer, Flat 1/2 SAE	2	
10	541 40 36-53	Capscrew, Hex Hd, 5/8-11 x 2-1/2	1	
11	541 40 37-34	Locknut, 5/8-11 Thin Flexloc	1	
12	541 40 16-88	Backstay, Lower	1	
13	541 40 16-77	Nut, Jam - Backstay	1	
14	541 40 16-83	Backstay, Upper	1	
15	541 40 16-66	Adapter, Upper Bracket Rod	1	
16	541 40 37-89	Capscrew, Hex Hd, 3/8-16 x 1-1/2	1	
17	541 40 37-88	Locknut, Fiber 3/8-16	1	

N**Angle Bracket - Column to Base - DS800**

541 10 00-64 - Compl



08.06.07



Pos.	Part No.	Description	Qty.	Notes
-	541 40 00-64	Bracket, Angle - DS800	1	Includes items: 1 - 5 Base to Column
1	-----	Bracket, Angle	1	
2	166356	Capscrew, Hex Hd, M16-2.0 x 100 DIN931 8.8	2	
3	541 40 22-27	Washer, Flat, M16 DIN126	2	
4	541 40 37-35	Lockwasher, Split M16 DIN127	2	
5	539 30 02-56	Nut, Hex M16-2.0	2	

Husqvarna Construction Products N. A.
Corporate Office
17400 West 119th Street
Olathe, Kansas 66061
Tel. 913-928-1000
Fax 913-438-7951

Customer Service: 800-288-5040
Customer Serv. Fax: 800-825-0028



DUST WARNING



Cutting, especially when DRY cutting, generates dust that comes from the material being cut, which frequently contains silica. Silica is a basic component of sand, quartz, brick clay, granite and numerous other minerals and rocks. Exposure to excessive amount of such dust can cause:

- Respiratory diseases (affecting your ability to breath), including chronic bronchitis, silicosis and pulmonary fibrosis from exposure to silica. These diseases may be fatal;
- Skin irritation and rash; and
- Cancer according to NTP* and IARC*
* National Toxicology Program / International Agency for Research on Cancer

Take precautionary steps

- Avoid inhalation of and skin contact with dust, mist and fumes;
- Wet cut when feasible, to minimize dust;
- Wear and ensure that all bystanders wear appropriate respiratory protection such as dust masks designed to filter out microscopic particles. (See OSHA 29 CFR Part 1910.1200)

California Prop 65 Warning:

Use of this product can cause exposure to materials known to the State of California to cause cancer and/or birth defects or other reproductive harm.



Printed in the USA