

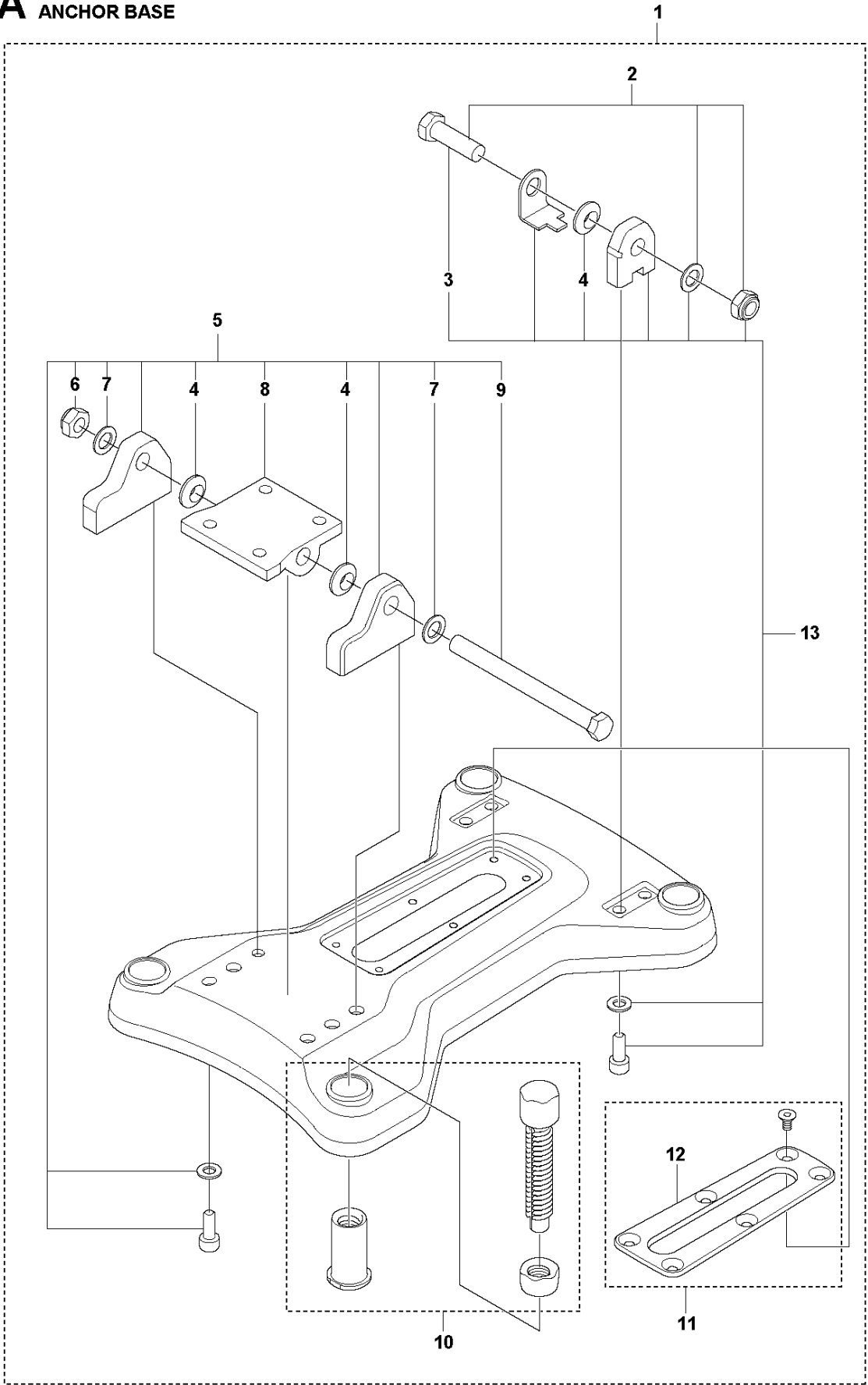


SPARE PARTS LIST

DRILLING EQUIPMENT

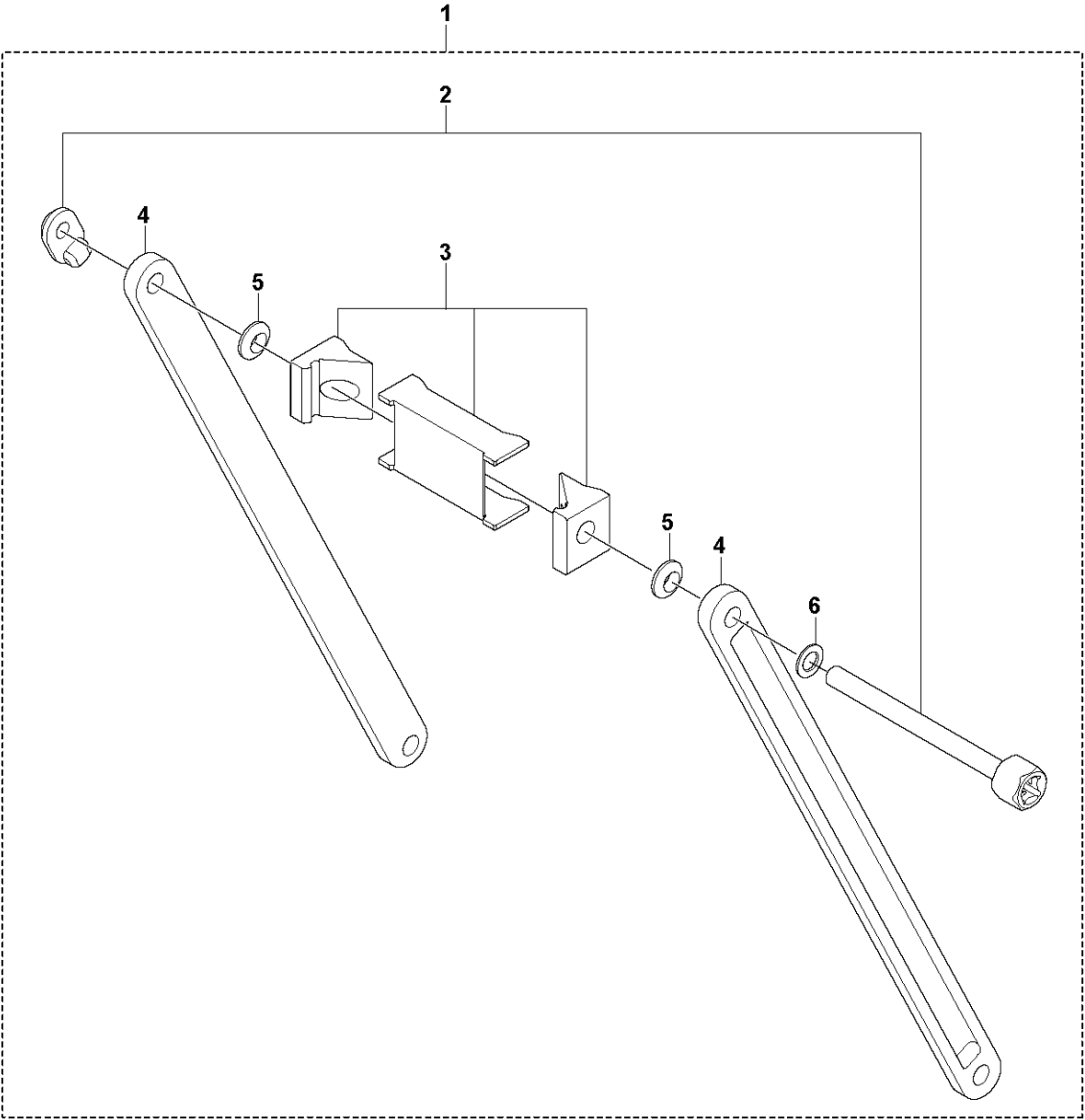
DS 500, 2019-03

A DS 500 ANCHOR BASE

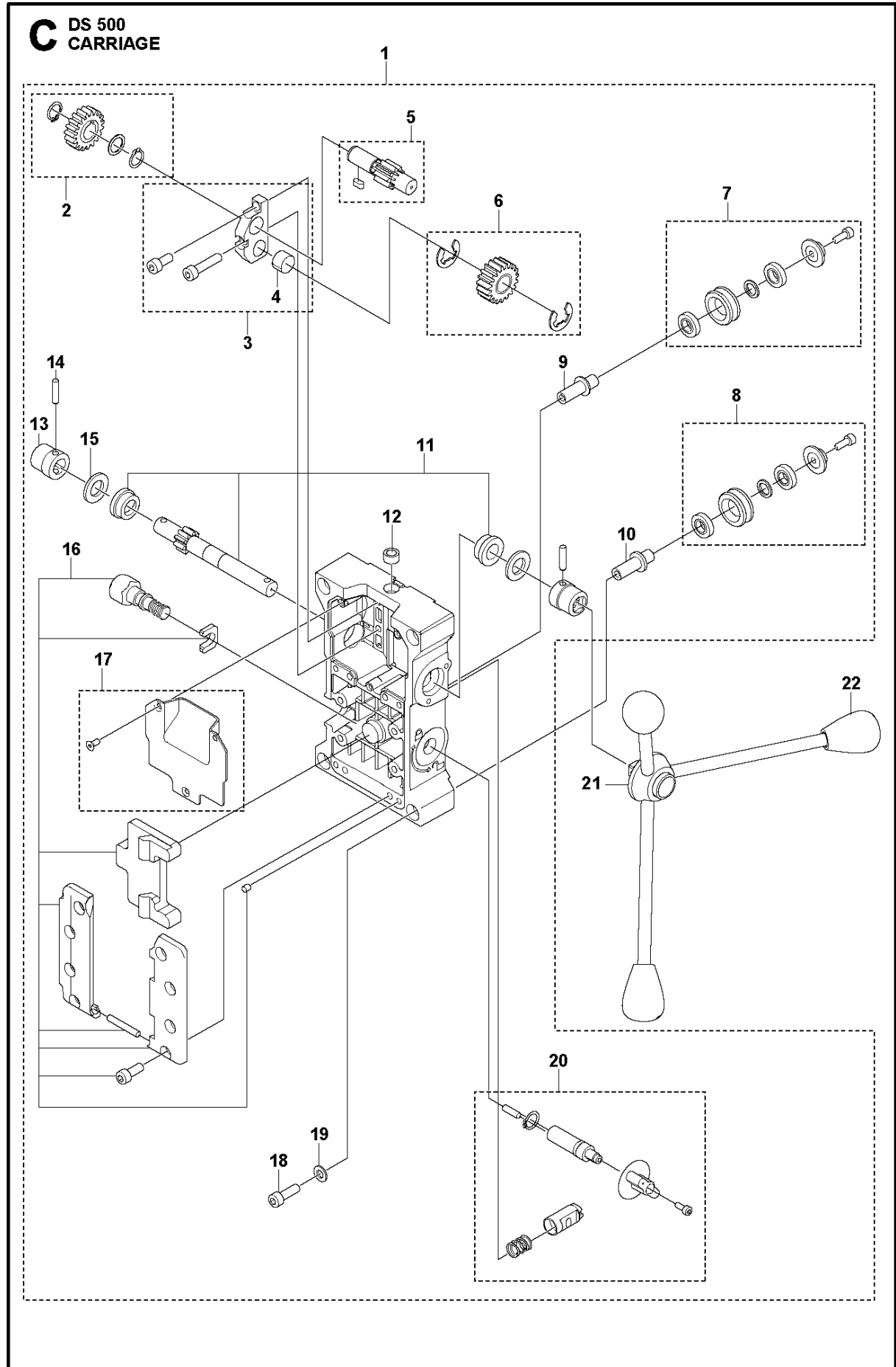


Ref	Part No	Description	Remark	QTY	KIT
1	597 60 93-01	BASEPLATE		1	
2	597 59 18-01	SCREW KIT		1	1
3	725 25 42-51	SCREW EHHM			
4	586 62 56-01	BOSS			
5	597 59 14-01	HINGE PLATE		1	1
6	732 25 22-01	HEXAGON LOCKING NUT			5
7	734 11 78-01	WASHER			5
8	595 83 84-01	HINGE PLATE			5
9	725 25 58-51	SCREW EHHM			5
10	597 60 97-01	SCREW KIT		1	1
11	597 60 98-01	GUARD		1	1
12	541 40 48-92	GUARD			12
13	597 60 94-01	HINGE PLATE		1	1

B DS 500
BACK SUPPORT



Ref	Part No	Description	Remark	QTY	KIT
1	597 61 15-01	BAR		1	
2	597 61 12-01	LOCKING SHAFT		1	1
3	597 61 11-01	HOLDER KIT		1	1
4	596 21 72-01	BAR			
5	586 62 56-01	BOSS			
6	734 11 78-01	WASHER			

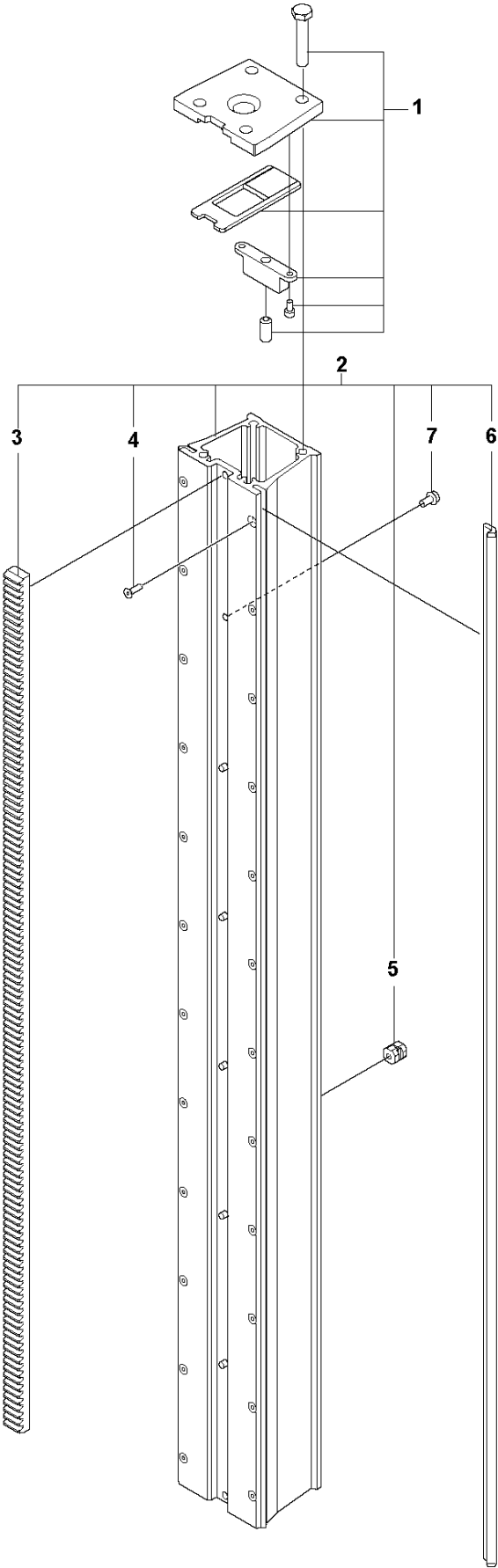


CARRIAGE

DS 500, 2019-03

Ref	Part No	Description	Remark	QTY KIT
1	597 62 16-01	CARRIAGE		
2	597 61 45-01	GEAR WHEEL KIT		1
3	597 61 47-01	BRACKET		
4	582 08 81-01	BEARING		3
5	597 61 48-01	GEAR WHEEL SHAFT		
6	597 61 50-01	GEAR WHEEL KIT		
7	597 61 52-01	WHEEL KIT		
8	597 61 53-01	WHEEL KIT		
9	582 08 72-01	SHAFT		
10	582 08 70-01	SHAFT		
11	597 61 54-01	GEAR WHEEL SHAFT		
12	541 40 50-36	LEVEL		
13	504 90 83-09	CASE		
14	720 18 28-51	PARALLEL PIN		
15	734 11 86-01	WASHER		
16	597 61 56-01	LOCKING PLATE		
17	597 61 57-01	COVER KIT		
18	725 54 53-01	SCREW IHSCM		
19	734 11 63-01	WASHER		
20	597 61 58-01	BRAKE		
21	541 40 50-39	HANDLE		
22	531 14 06-72	GRIP		

D DS 500
COLUMN



Ref	Part No	Description	Remark	QTY	KIT
1	597 61 32-01	COVER KIT		1	
2	597 61 33-01	COLUMN ASSY		1	
3	593 06 76-01	GEAR RACK		1	2
4	504 46 00-02	SCREW		24	2
5	596 92 14-01	CONSOLE ASSY		1	2
6	579 79 94-01	RAIL		2	2
7	503 20 00-46	SCREW EHHFM		6	2