

## DS 450

Reservdelar

Spare parts

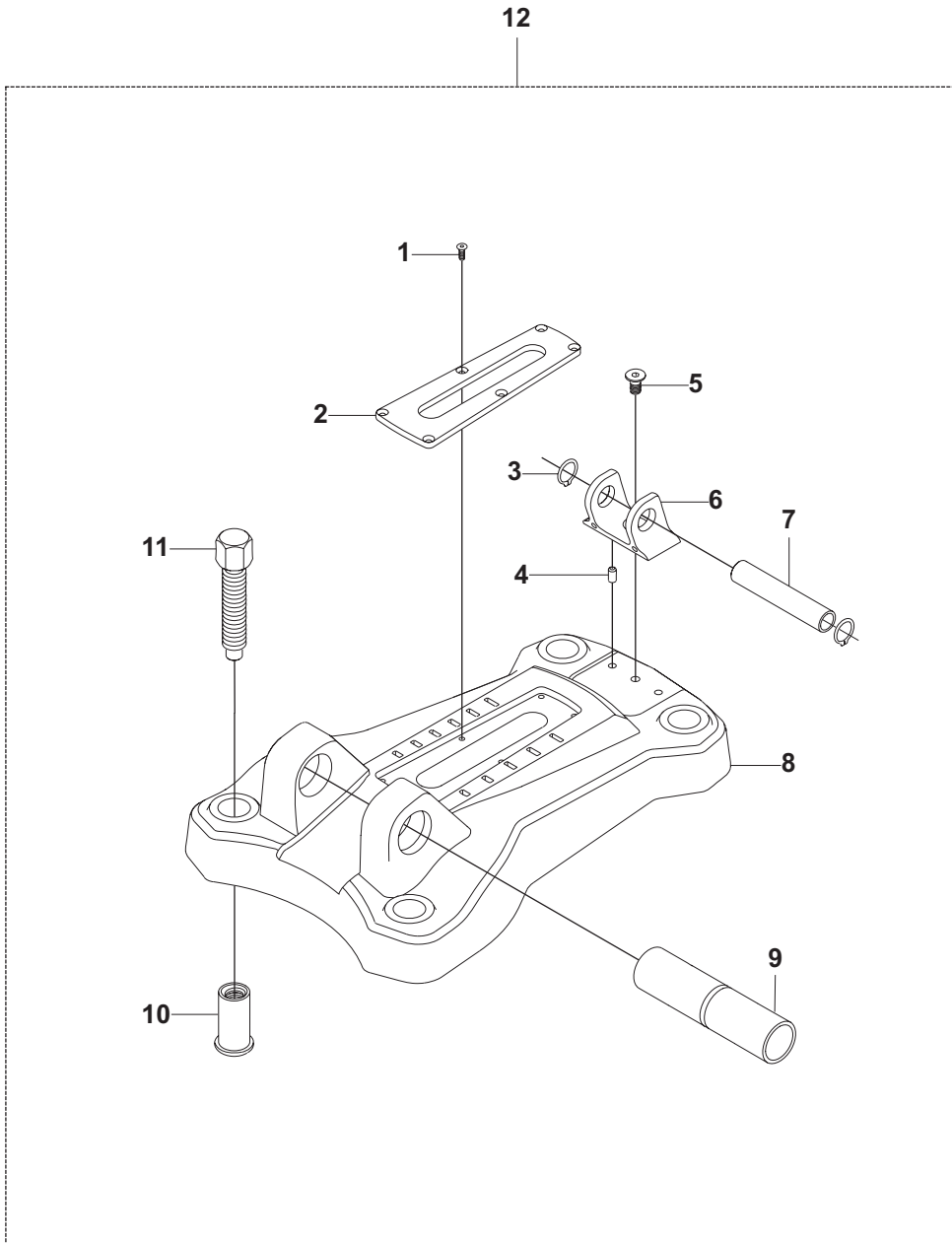
Ersatzteile

Pieces de rechange

Piezas de repuesto

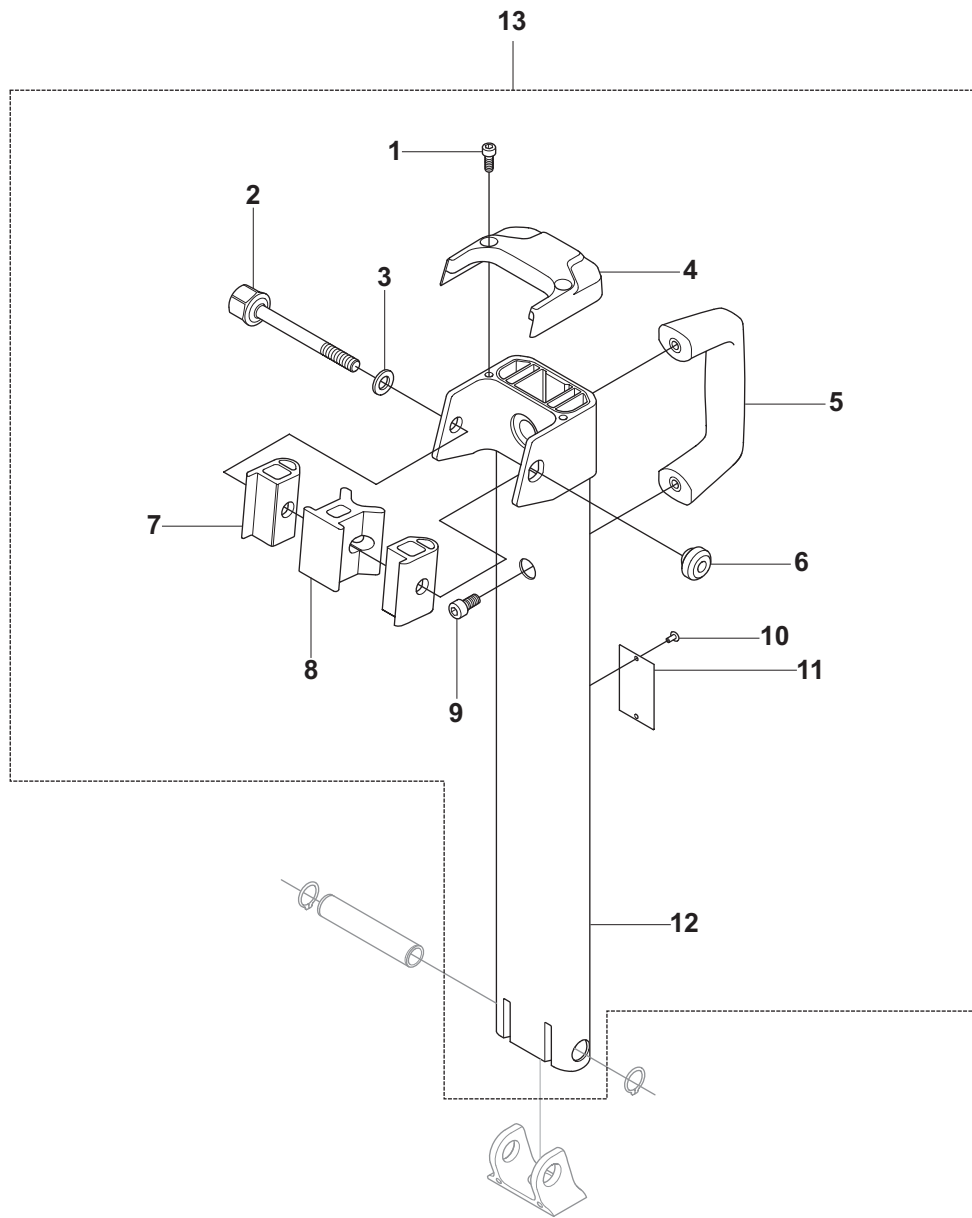
Ricambi

Peças sobresselente



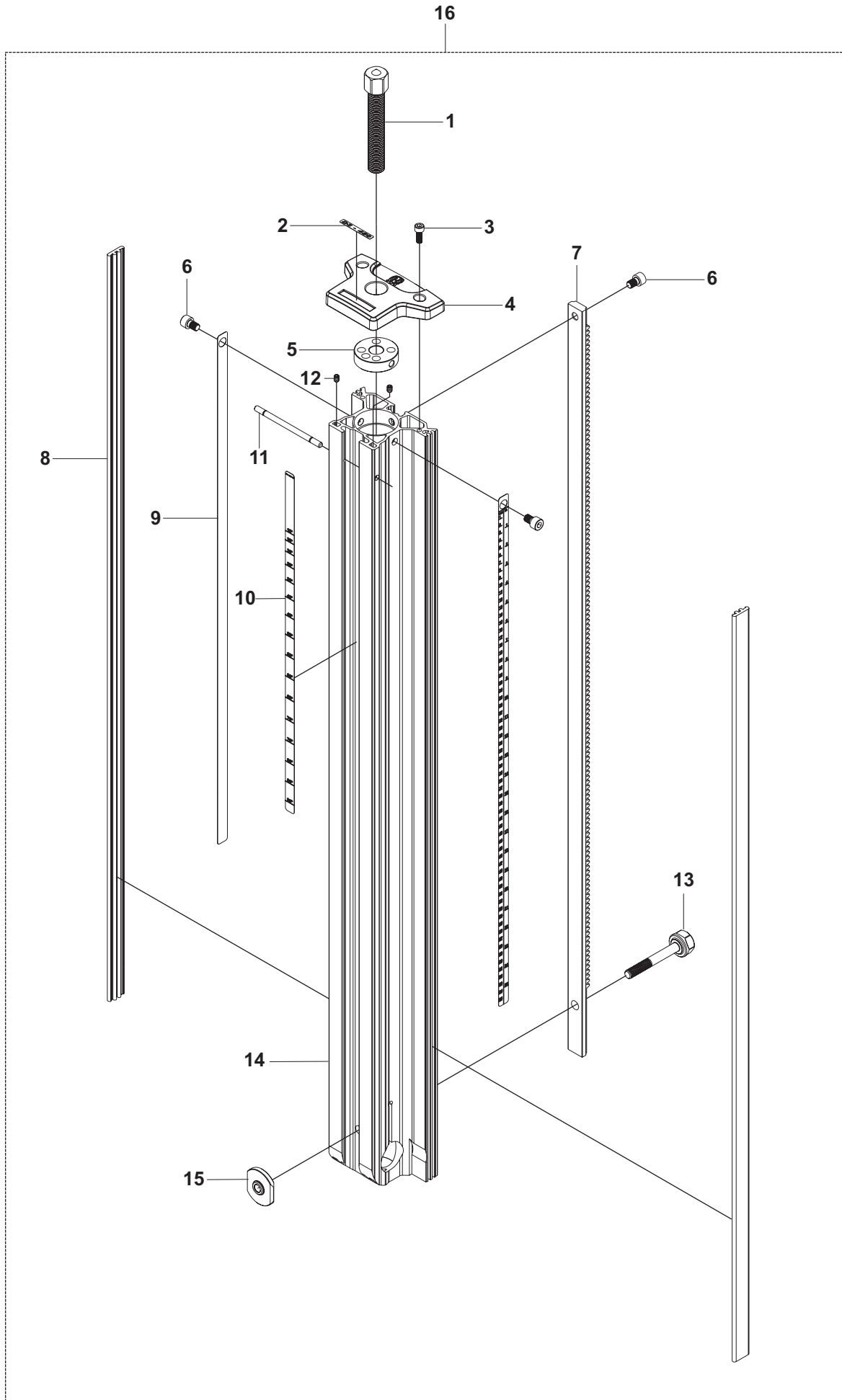
**Page A DS450**

<b>Position</b>	<b>Article</b>	<b>Description</b>	<b>Quantity</b>	<b>Notes</b>	<b>Kit</b>
1	725 62 92-01	SCREW	6		12
2	541 4 050-57	PLATE	1		12
3	735 31 20-00	RETAINING RING	2		12
4	720 13 49-51	DOWEL PIN	2		12
5	725 64 49-01	SCREW	1		12
6	541 40 50-56	BACK SUPPORT MOUNT	1		12
7	541 40 50-49	BACK SUPPORT PIVOT	1		12
8	541 40 50-53	ANCHOR BASE	1		12
9	541 40 50-44	COLUMN PIVOT	1		12
10	541 40 50-51	BASE INSERT	4		12
11	541 40 50-50	LEVELING SCREW	4		12
12	541 40 50-52	ANCHOR BASE ASSY	1		
12	575 63 46-01	ANCHOR BASE ASSY US	1	ONLY US	



**Page B DS450**

<b>Position</b>	<b>Article</b>	<b>Description</b>	<b>Quantity</b>	<b>Notes</b>	<b>Kit</b>
1	725 53 68-01	SCREW	2		13
2	541 40 50-70	CLAMP BOLT	1		13
3	734 11 72-01	WASHER	1		13
4	541 40 50-72	BACK SUPPORT GUARD	1		13
5	541 40 49-09	HANDLE	1		13
6	541 40 48-27	BUSHING	1		13
7	541 40 50-69	CLAMP SIDE	1		13
8	541 40 50-68	CLAMP WEDGE	1		13
9	725 54 49-01	SCREW	2		13
10	722 78 25-03	BLIND RIVET	2		13
11	541 40 51-70	CE PLATE	1		13
12	541 40 50-73	BACK SUPPORT	1		13
13	541 40 50-78	BACK SUPPORT ASSY	1		
13	575 63 45-01	BACK SUPPORT ASSY US	1	ONLY US	

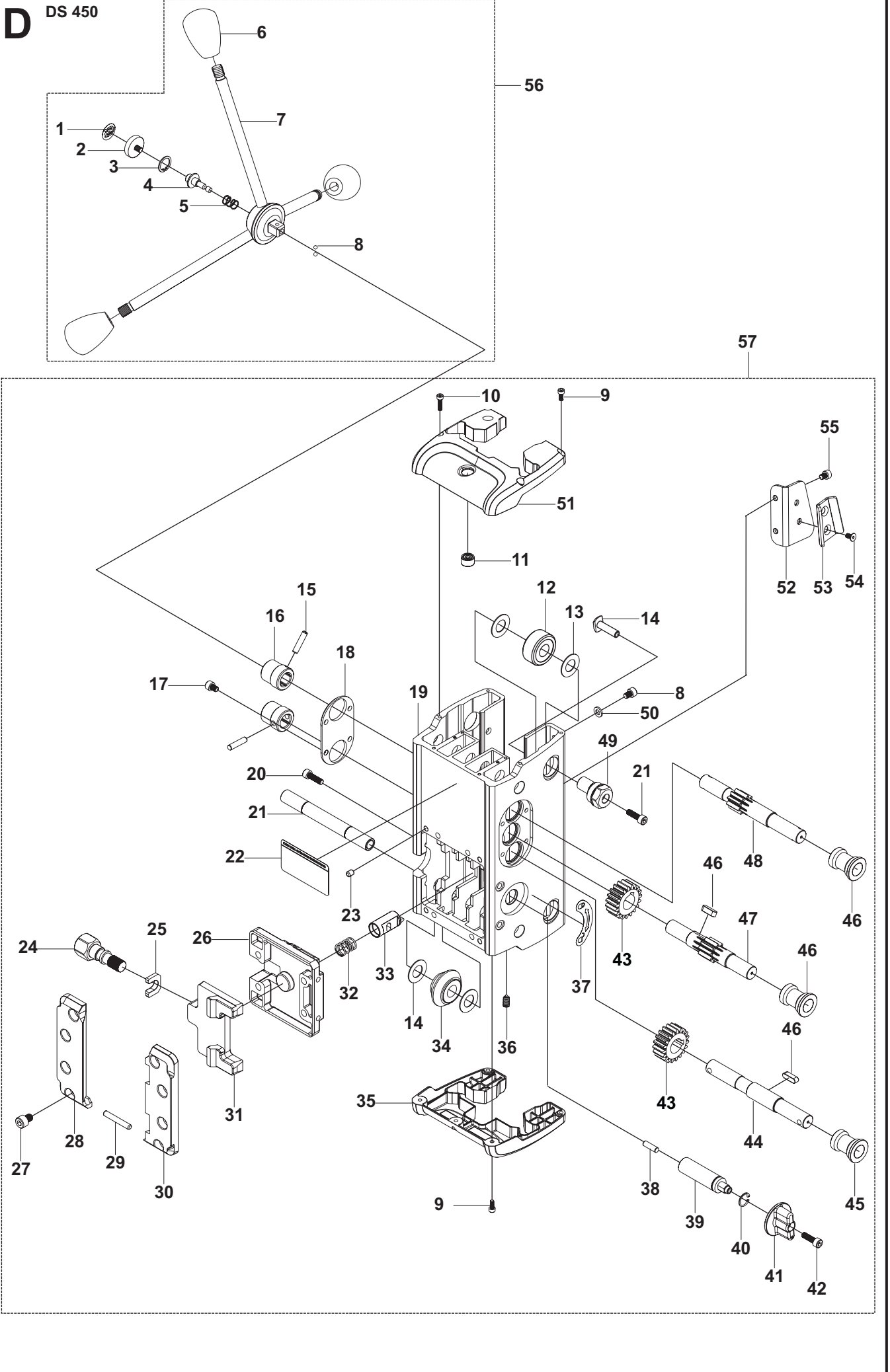


**Page C DS450**

<b>Position</b>	<b>Article</b>	<b>Description</b>	<b>Quantity</b>	<b>Notes</b>	<b>Kit</b>
1	541 40 50-60	JACKING SCREW	1		16
2	541 40 50-64	DECAL	1		16
3	725 53 68-01	SCREW	2		16
4	541 40 50-62	COLUMN GUARD TOP	1		16
5	541 40 50-61	JACKING SCREW PLATE	1		16
6	725 54 47-01	SCREW	3		16
7	541 40 50-65	RACK	1		16
8	541 40 50-63	COLUMN GUARD SIDE	2		16
9	541 40 51-02	DEPTH MEASUREMENT DECAL	2		16
10	541 40 51-03	ANGLE MEASUREMENT DECAL	1		16
11	525 81 29-01	PIN	1		16
12	728 73 70-01	SET SCREW	2		16
13	541 40 50-66	COLUMN CLAMP BOLT	1		16
14	541 40 50-58	COLUMN	1		16
15	541 40 50-71	CLAMP NUT	1		16
16	541 40 50-79	COLUMN 1M ASSY	1		
16	575 63 43-01	COLUMN 1M ASSY US	1	ONLY US	

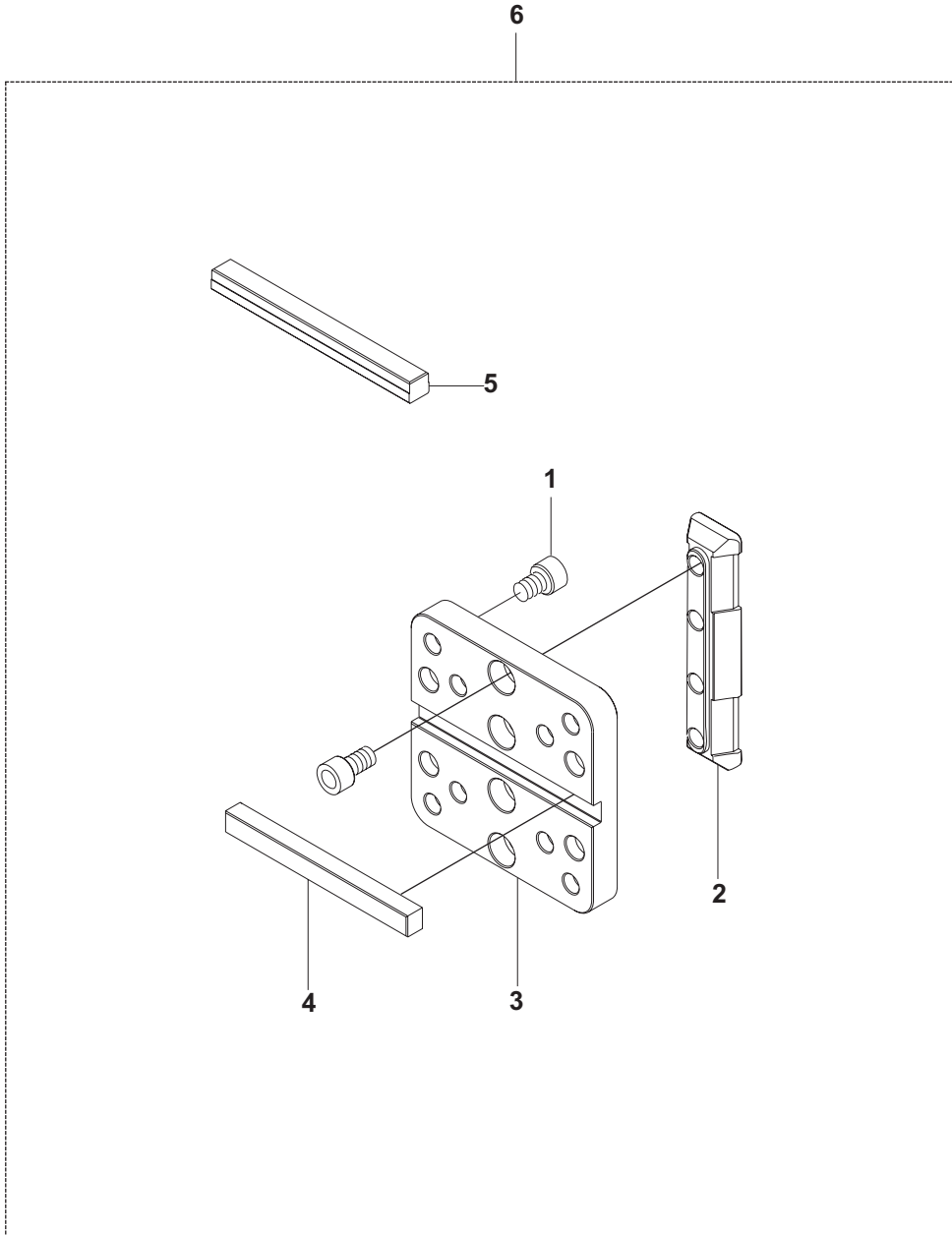
D

DS 450





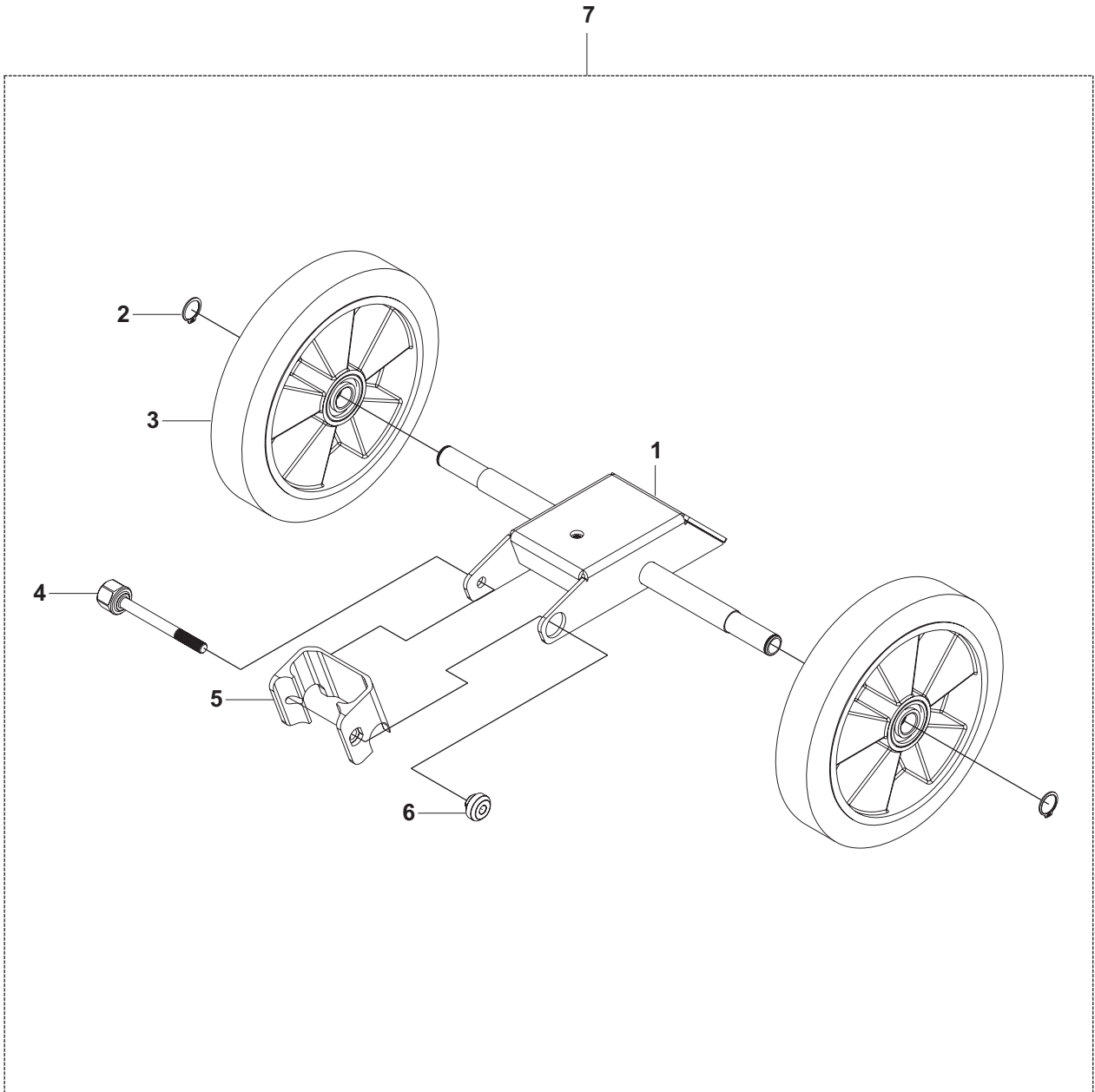
Position	Article	Description	Quantity	Notes	Kit
1	541 40 50-47	DECAL	1		56
2	541 40 50-41	RELEASE BUTTON	1		56
3	735 31 20-10	RETAINING RING	1		56
4	541 40 50-42	RELEASE SHAFT	1		56
5	541 40 50-43	SPRING	1		56
6	531 14 06-72	KNOB	3		56
7	541 40 50-46	FEEDING CRANK	1		56
8	738 61 14-03	BALL	2		56
9	725 52 89-01	SCREW	7		57
10	725 52 93-01	SCREW	2		57
11	541 40 50-36	LEVEL	1		57
12	541 40 50-29	FLAT ROLLER	4		57
13	541 40 50-24	ROLLER SPACER	16		57
14	541 40 50-19	ECCENTRIC ROLLER MOUNT	4		57
15	720 18 28-51	DOWEL PIN	4		57
16	504 90 83-09	1/2" SOCKET	4		57
17	725 53 62-01	SCREW	10		57
18	541 40 50-10	COVER PLATE	2		57
19	541 40 50-28	CARRIAGE	1		57
20	725 53 70-01	SCREW	8		57
21	541 40 50-03	ROLLER SHAFT	2		57
22	541 40 40-98	DECAL	1		57
23	720 13 47-51	DOWEL PIN	4		57
24	541 40 50-06	QUICK ATTACH BOLT	1		57
25	541 40 50-27	RETAINER	1		57
26	541 40 50-22	MOUNT	1		57
27	725 54 45-01	SCREW	8		57
28	541 40 50-05	QUICK ATTACH RIGHT	1		57
29	720 13 61-51	DOWEL PIN	1		57
30	541 40 50-04	QUICK ATTACH LEFT	1		57
31	541 40 50-26	CLAMP	1		57
32	541 40 50-02	SPRING	1		57
33	541 40 50-13	BRAKE SLIDER	1		57
34	541 40 50-30	ROLLER	4		57
35	541 40 50-21	GUARD LOWER	1		57
36	728 72 89-01	SET SCREW	4		57
37	541 40 50-31	DECAL	1		57
38	720 13 53-51	DOWEL PIN	1		57
39	541 40 50-12	BRAKE SHAFT	1		57
40	735 31 20-00	RETAINING RING	1		57
41	541 40 50-35	BRAKE KNOB	1		57
42	725 53 27-01	SCREW	1		57
43	541 40 50-18	GEAR WHEEL	2		57
44	541 40 50-15	SHAFT	1		57
45	541 40 50-08	GLIDE BEARING	6		57
46	541 40 50-01	KEY	2		57
47	541 40 50-16	SHAFT	1		57
48	541 40 50-17	SHAFT	1		57
49	541 40 50-23	ROLLER SHAFT	4		57
50	734 11 52-01	WASHER	2		57
51	541 40 50-20	GUARD UPPER	1		57
52	541 40 51-15	MOUNT	1	ONLY US	57
53	541 40 40-41	BRACKET	1	ONLY US	57
54	725 63 25-01	SCREW	2	ONLY US	57
55	725 53 62-01	SCREW	2	ONLY US	57
56	541 40 50-39	FEEDING CRANK ASSY	1		
56	575 63 48-01	FEEDING CRANK ASSY US	1	ONLY US	
57	541 40 50-00	CARRIAGE ASSY	1		
57	575 63 49-01	CARRIAGE ASSY US	1	ONLY US	



**Page E DS450**

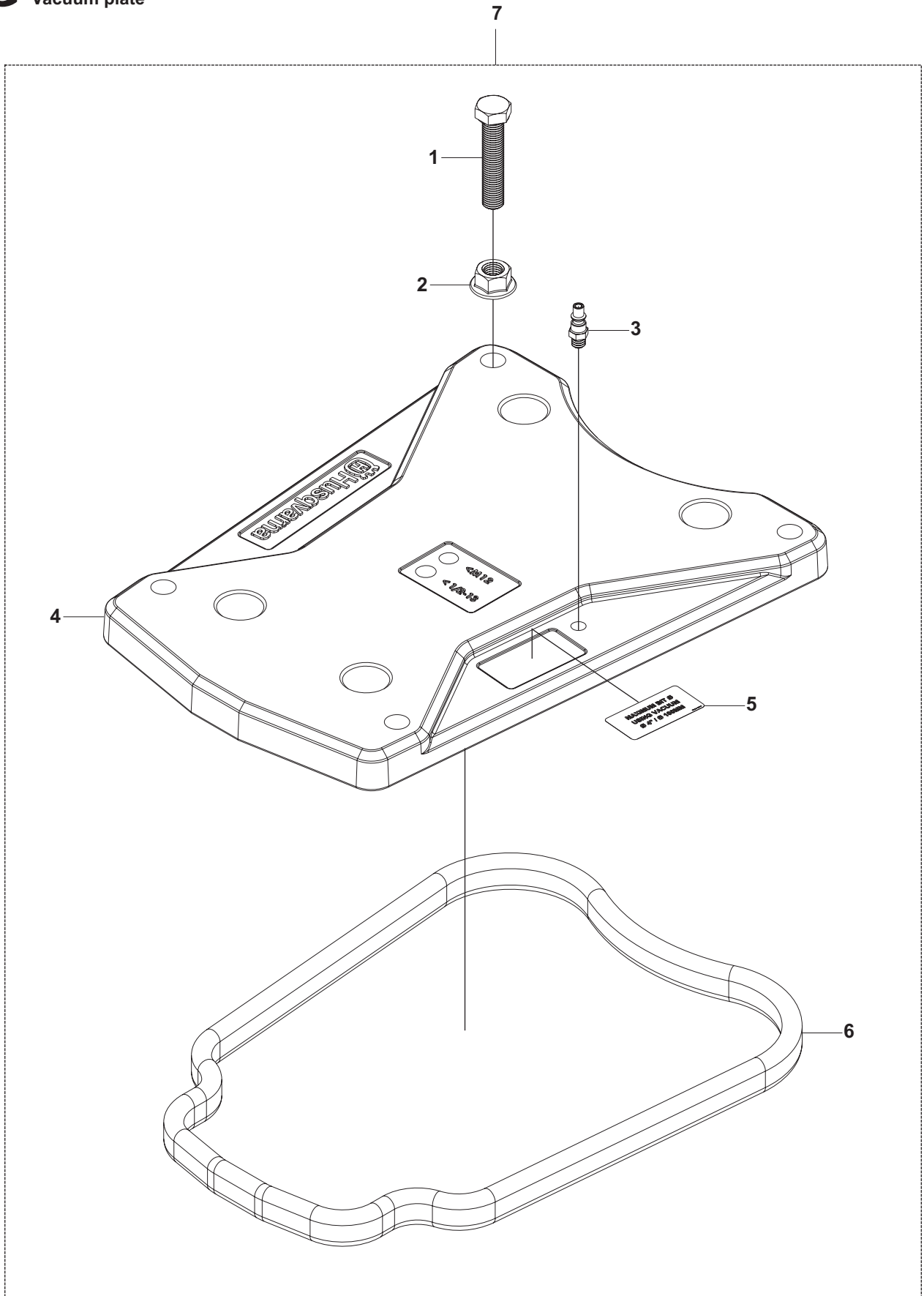
<b>Position</b>	<b>Article</b>	<b>Description</b>	<b>Quantity</b>	<b>Notes</b>	<b>Kit</b>
1	725 54 47-01	SCREW	8		6
2	541 40 51-09	DOVE TAIL MOUNT	1		6
3	541 40 51-07	DM 330 MOTOR MOUNT	1		6
4	541 40 51-11	KEY	1		6
5	541 40 51-12	STEPKEY	1		6
6	541 40 51-10	MOTOR MOUNT ASSY	1		
6	575 64 12-01	MOTOR MOUNT ASSY US	1	ONLY US	

**F** DS 450 Accessories  
Wheel kit



Position	Article	Description	Quantity	Notes	Kit
1	541 40 50-82	WHEEL BRACKET	1		7
2	735 31 22-00	RETAINER RING	2		7
3	504 18 55-01	WHEEL	2		7
4	541 40 50-70	CLAMP BOLT	1		7
5	525 85 61-01	CLAMP	1		7
6	541 40 48-27	BUSHING	1		7
7	541 40 50-83	WHEEL KIT ASSY	1		
7	575 63 40-01	WHEEL KIT ASSY US	1	ONLY US	

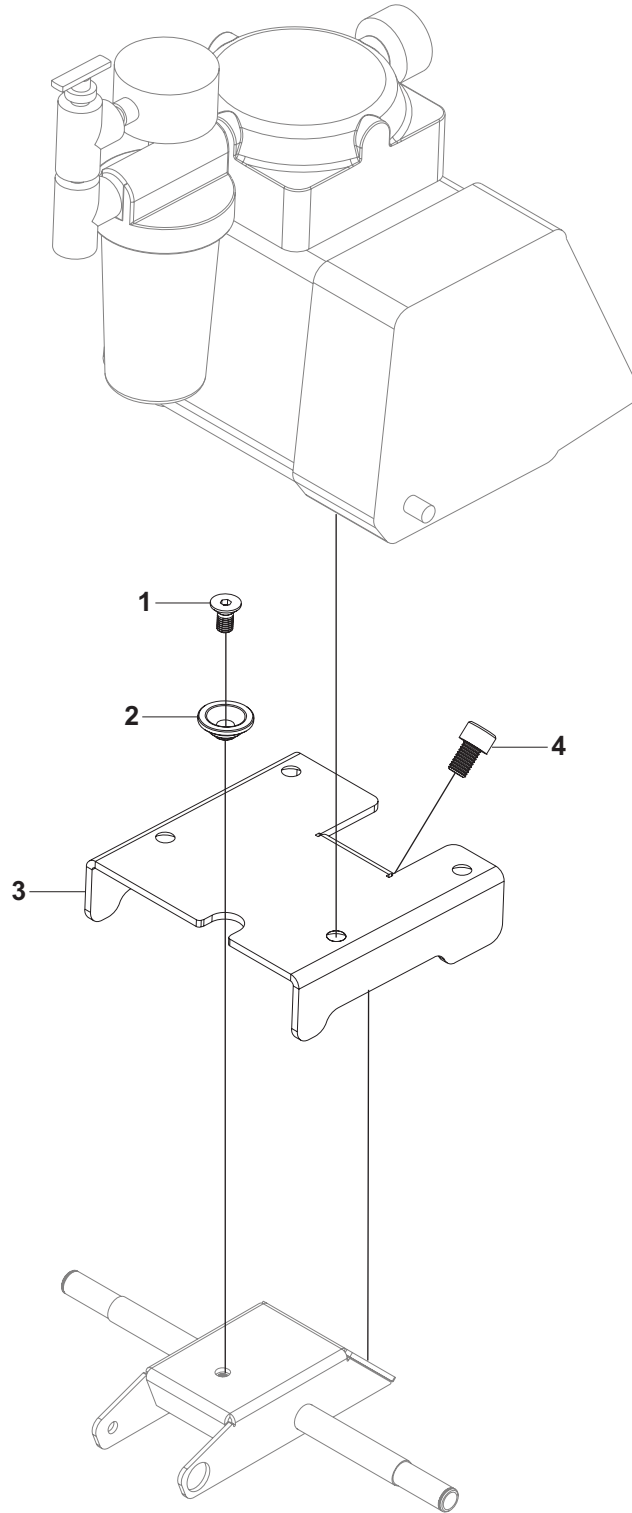
**G** DS 450 Accessories  
Vacuum plate



**Page G DS450**

<b>Position</b>	<b>Article</b>	<b>Description</b>	<b>Quantity</b>	<b>Notes</b>	<b>Kit</b>
1	525 74 31-01	SCREW	4		7
2	731 71 24-51	NUT	4		7
3	541 40 40-71	1/8" FITTING	1		7
4	541 40 50-91	VACUUM PLATE	1		7
5	541 40 51-71	DECAL	1		7
6	541 40 51-32	GASKET	1		7
7	541 40 50-93	VACUUM PLATE ASSY	1		
7	574 86 36-01	VACUUM PLATE ASSY US	1	ONLY US	

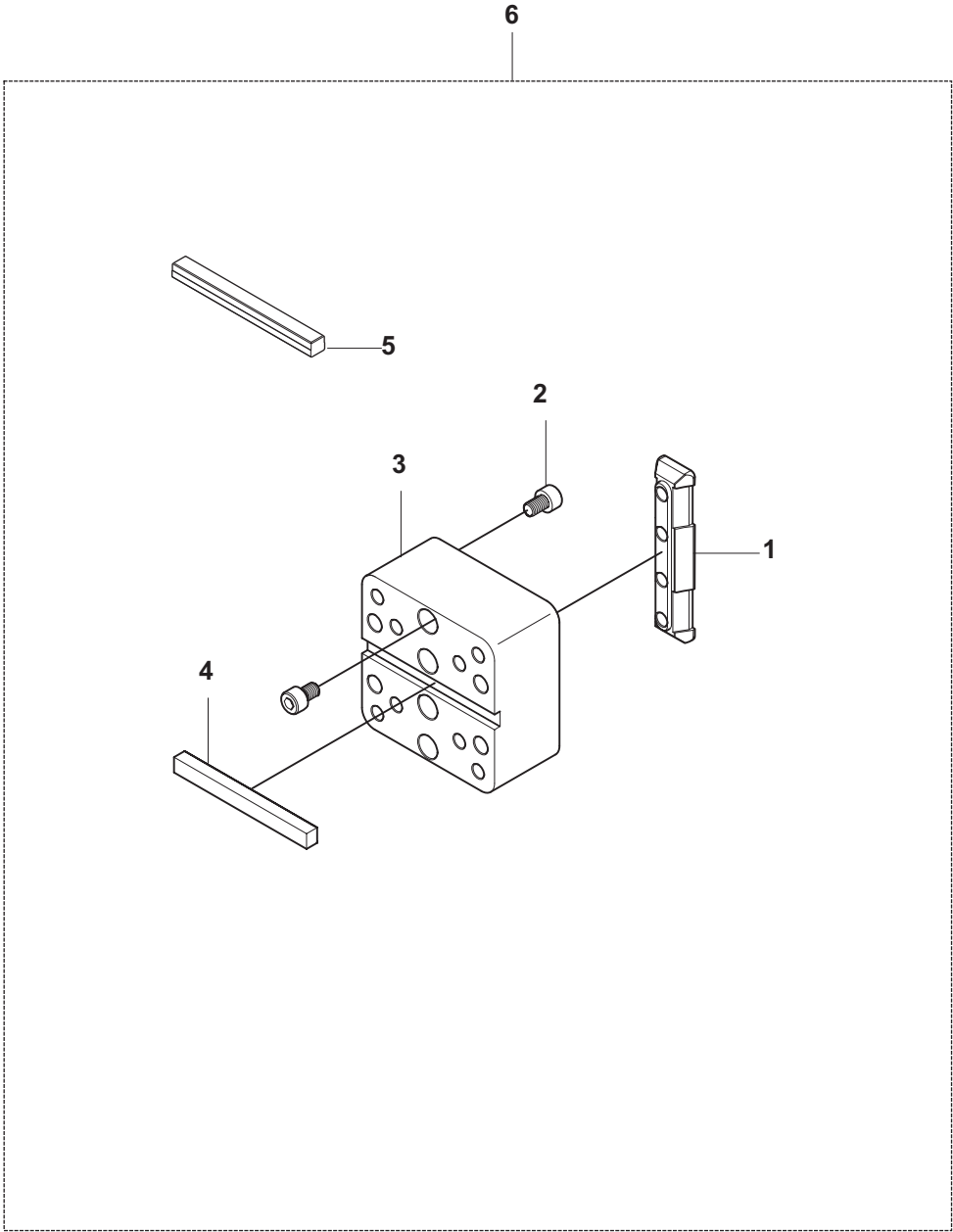
**H** DS 450 Accessories  
Carriage vacuum pump





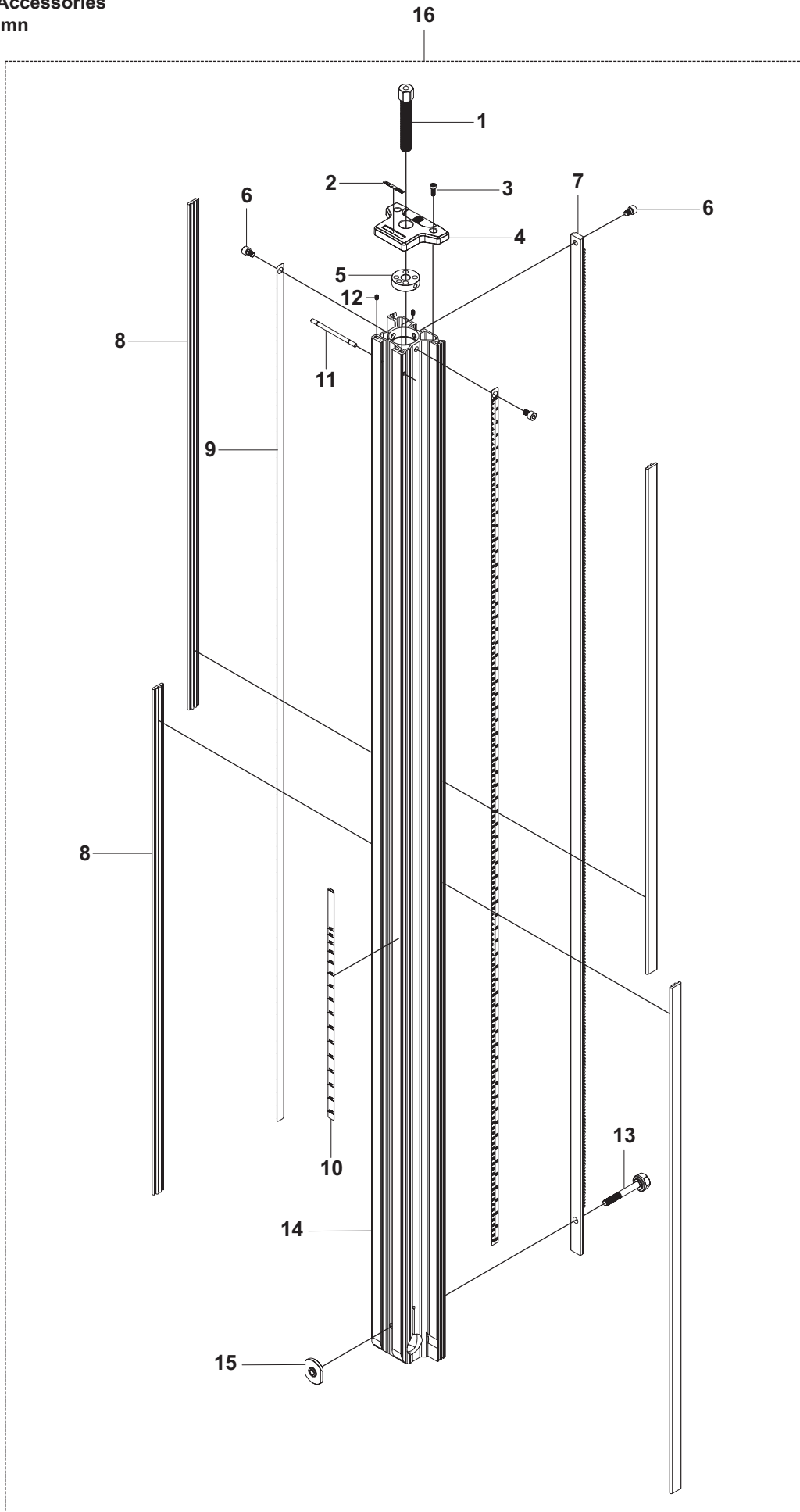
Position	Article	Description	Quantity	Notes	Kit
1	725 64 49-01	SCREW	1		
2	541 40 51-33	BUSHING	1		
3	541 40 51-35	VACUUM PUMP PLATE	1		
4	725 54 89-01	SCREW	1		

**DS 450 Accessories**  
**Motor spacer plate**

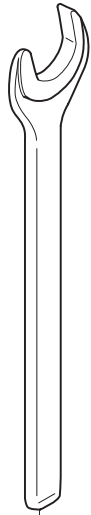


Position	Article	Description	Quantity	Notes	Kit
1	541 40 51-09	MOUNT	1		6
2	725 54 47-01	SCREW	8		6
3	541 40 51-81	SPACER	1		6
4	541 40 51-11	KEY	1		6
5	541 40 51-12	STEPKEY	1		6
6	541 40 51-82	SPACER PLATE ASSY	1		
6	575 63 42-01	SPACER PLATE ASSY US	1	ONLY US	

**J** DS 450 Accessories  
2m column



Position	Article	Description	Quantity	Notes	Kit
1	541 40 50-60	JACKING SCREW	1		16
2	541 40 50-64	DECAL	1		16
3	725 53 68-01	SCREW	2		16
4	541 40 50-62	COLUMN GUARD TOP	1		16
5	541 40 50-61	JACKING SCREW PLATE	1		16
6	725 54 47-01	SCREW	3		16
7	525 85 78-01	RACK	1		16
8	541 40 50-63	COLUMN GUARD SIDE	4		16
9	525 85 79-01	DEPTH MEASUREMENT DECAL	2		16
10	541 40 51-03	ANGLE MEASUREMENT DECAL	1		16
11	525 81 29-01	PIN	1		16
12	728 73 70-01	SET SCREW	2		16
13	541 40 50-66	CLAMP BOLT	1		16
14	525 85 77-01	2M COLUMN	1		16
15	541 40 50-71	CLAMP NUT	1		16
16	525 85 76-01	COLUMN 2M ASSY	1		
16	575 63 41-01	COLUMN 2M ASSY US	1	ONLY US	



1



2



3

**Page K DS450**

<b>Position</b>	<b>Article</b>	<b>Description</b>	<b>Quantity</b>	<b>Notes</b>	<b>Kit</b>
1	574 43 58-01	WRENCH 24mm	1		
2	541 40 41-53	ALLEN KEY 6mm	1		
3	543 85 02-08	ALLEN KEY 5mm	1		