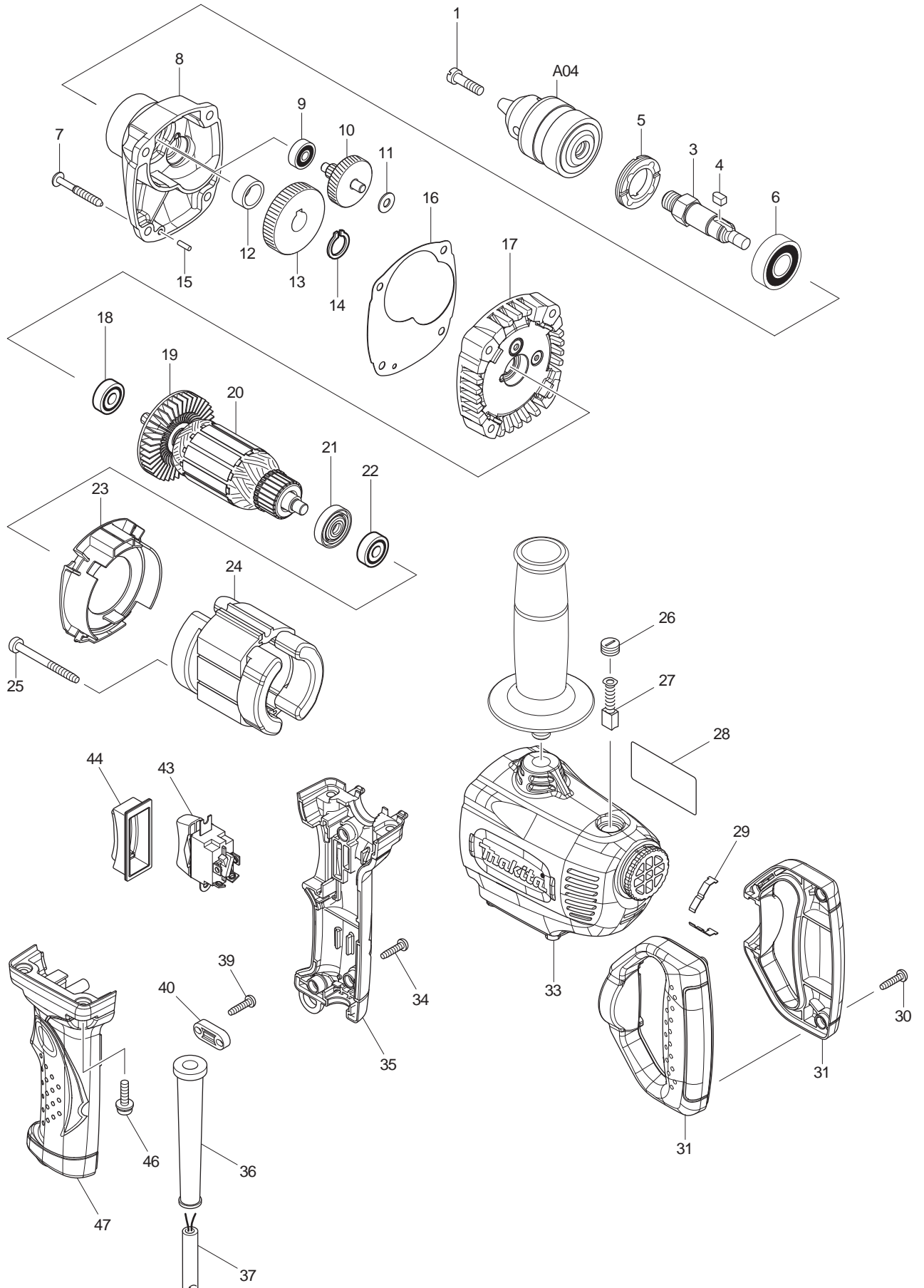




08 - 2010  
DS4011 / DS4011K  
1/2" DRILL



Item No	Type	Part No	Description	Qty	Unit
1		251441-5	- FLAT HEAD SCREW M6X22	1	PC.
3		325494-1	SPINDLE	1	PC.
4		254211-1	KEY 5	1	PC.
5		285807-7	BEARING RETAINER 22-36	1	PC.
6		211206-7	BALL BEARING 6202LLB	1	PC.
7		266211-9	TAPPING SCREW 5X40	4	PC.
8		140620-9	GEAR HOUSING COM	1	PC.
9		211016-2	BALL BEARING 626LLB	1	PC.
10		226028-2	GEAR COM 7-41	1	PC.
11		261008-1	FIBER WASHER 6	1	PC.
12		257018-4	RING 15	1	PC.
13		221261-1	SPUR GEAR 47	1	PC.
14		961054-1	RETAINING RING S-14	1	PC.
15		256180-2	PIN 3	1	PC.
16		452066-0	GASKET	1	PC.
17		140619-4	GEAR HOUSING COVER COM	1	PC.
18		211031-6	BALL BEARING 608LLB	1	PC.
19		241850-6	FAN 60	1	PC.
20		518677-2	ARMATURE ASS'Y 115V	1	PC.
	INC.		Item No. 18,19,21,22		
21		681659-8	INSULATION WASHER	1	PC.
22		211031-6	BALL BEARING 608LLB	1	PC.
23		452063-6	BAFFLE PLATE	1	PC.
24		520076-6	FIELD ASS'Y	1	
	INC.	654100-4	RING TERMINAL	2	PC.
	INC.	654555-3	CONNECTOR 34130	2	PC.
25		266095-5	TAPPING SCREW 5X55	2	PC.
26		643550-8	BRUSH HOLDER CAP 5-8	2	PC.
27		195008-8	CARBON BRUSH CB-408 2PCS/SET	1	SET
28		868446-4	DS4011 NAME PLATE	1	PC.
29		232260-8	LEAF SPRING	2	PC.
30		265995-6	TAPPING SCREW 4X18	4	PC.
31		188921-7	HANDLE SET	1	SET
33		140618-6	MOTOR HOUSING COM	1	
	INC.	643455-2	BRUSH HOLDER 6X9	2	PC.
34		265995-6	TAPPING SCREW 4X18	3	PC.
35		188920-9	SWITCH HANDLE COVER SET	1	SET
36		682559-5	CORD GUARD 8	1	PC.
37		664064-4	CORD W/PLUG 2P-18-2.5M, SJ	1	PC.
39		265995-6	TAPPING SCREW 4X18	2	PC.
40		687063-9	CORD CLAMP	1	PC.
43		651564-3	SWITCH SL220SD-4	1	PC.
44		421297-2	DUST COVER	1	PC.
46		911233-1	PAN HEAD SCREW M5X20	4	PC.
C01		871355-8	CARTON (For DS4011K)	1	PC.
D01		652008-6	PAN HEAD SCREW M3.5X7(FOR SWITCH)	4	PC.
D02		654117-7	INSULATING TERMINAL	4	PC.
D03		654562-6	CLOSED END SPLICE(INSULATED CONNECTOR 35115)	2	PC.
D04		654182-6	INSULATED TERMINAL	2	PC.
D05		654037-5	INSULATED TERM. FK1.25-M3	4	PC.
D06		654077-3	INSULATED TERMINAL FK2-M3D-5.5	2	PC.
D07		654509-0	CONNECTOR 2-SD	2	PC.

### ACCESSORIES

A01		152492-0	GRIP 36 COM	1	PC.
A02		763411-7A	CHUCK KEY S13 (Use with Item No. A04)	1	PC.
A03		763432-9	CHUCK KEY S13 (Longer Handle) (Use with Item No. A05)	1	PC.
A04		763078-1	1/2" DRILL CHUCK (Use with Item No. A02 Chuck Key )	1	PC.
A05		192877-8	1/2" DRILL CHUCK (Use with Item No. A03 Chuck Key)	1	PC.
A06		824967-6	PLASTIC CARRYING CASE	1	PC.

Item No	Type	Part No	Description	Qty	Unit
A07		122236-2	DEPTH GAUGE ASS'Y	1	PC.
	INC.	164579-6	STOPPER HOLDER	1	PC.
	INC.	256828-6	ROD 8	1	PC.
	INC.	286210-5	CAP 20	1	PC.
	INC.	924311-8	WING BOLT M6X12	1	PC.
A08		122177-2	ANGLE ATTACHMENT	1	PC.
	INC.	153109-8	GEAR SHAFT COMPLETE A	1	PC.
	INC.	153110-3	GEAR SHAFT COMPLETE B	1	PC.
	INC.	156387-9	GEAR HOUSING	1	PC.
	INC.	325311-5	SLEEVE	1	PC.
	INC.	781008-0	WRENCH 17	1	PC.
	INC.	921552-7	HEX. BOLT M10X30	2	PC.
	INC.	962155-8	RETAINING RING R-37	2	PC.