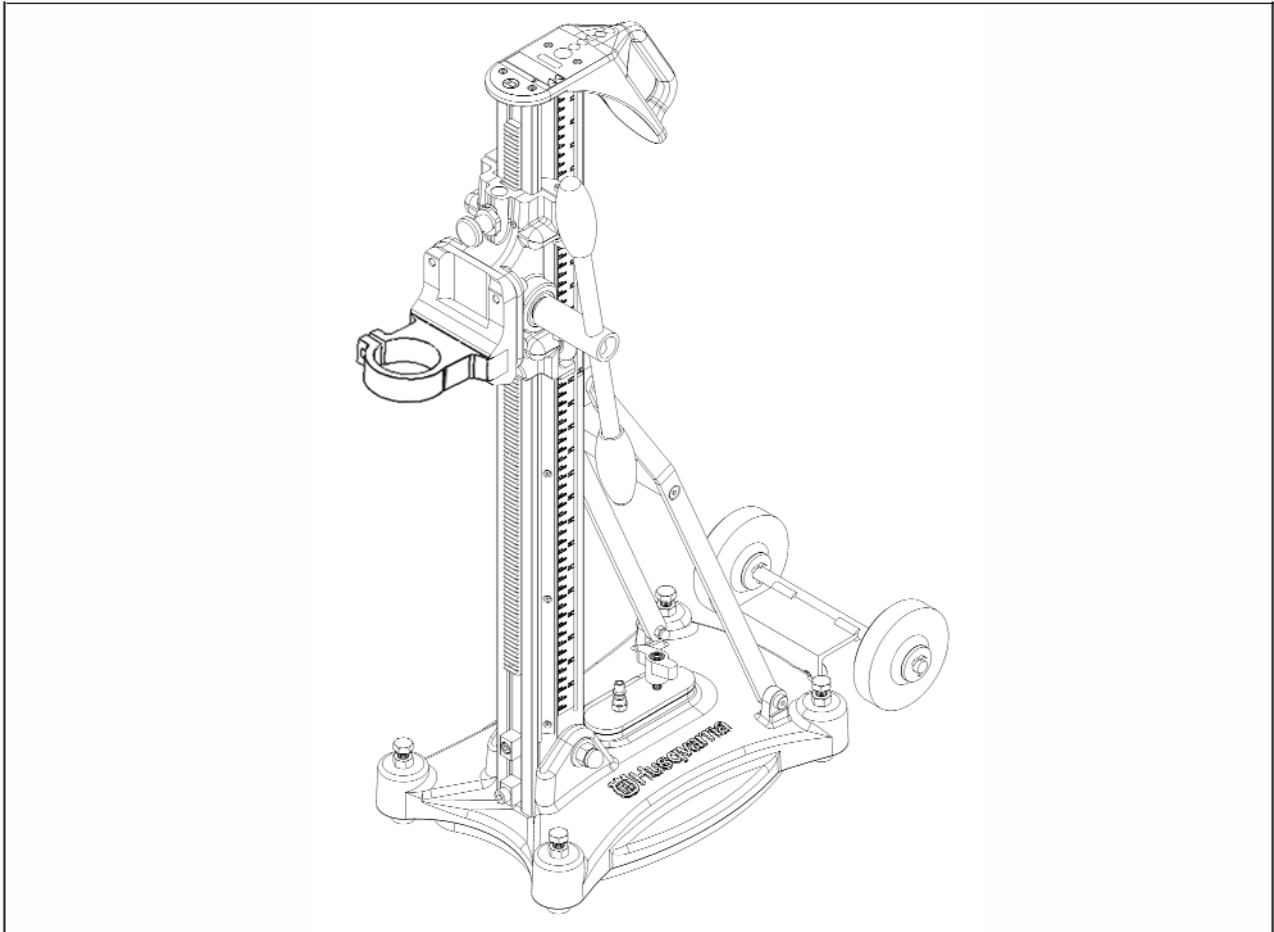


Husqvarna

DS160C



Manuel d'utilisation et d'entretien
Foreuse de chantier

Manuale di Istruzioni
Trapanatrice da cantiere

Manual de Instrucciones
Taladradora de obra

Operating Instructions
Drilling Machine

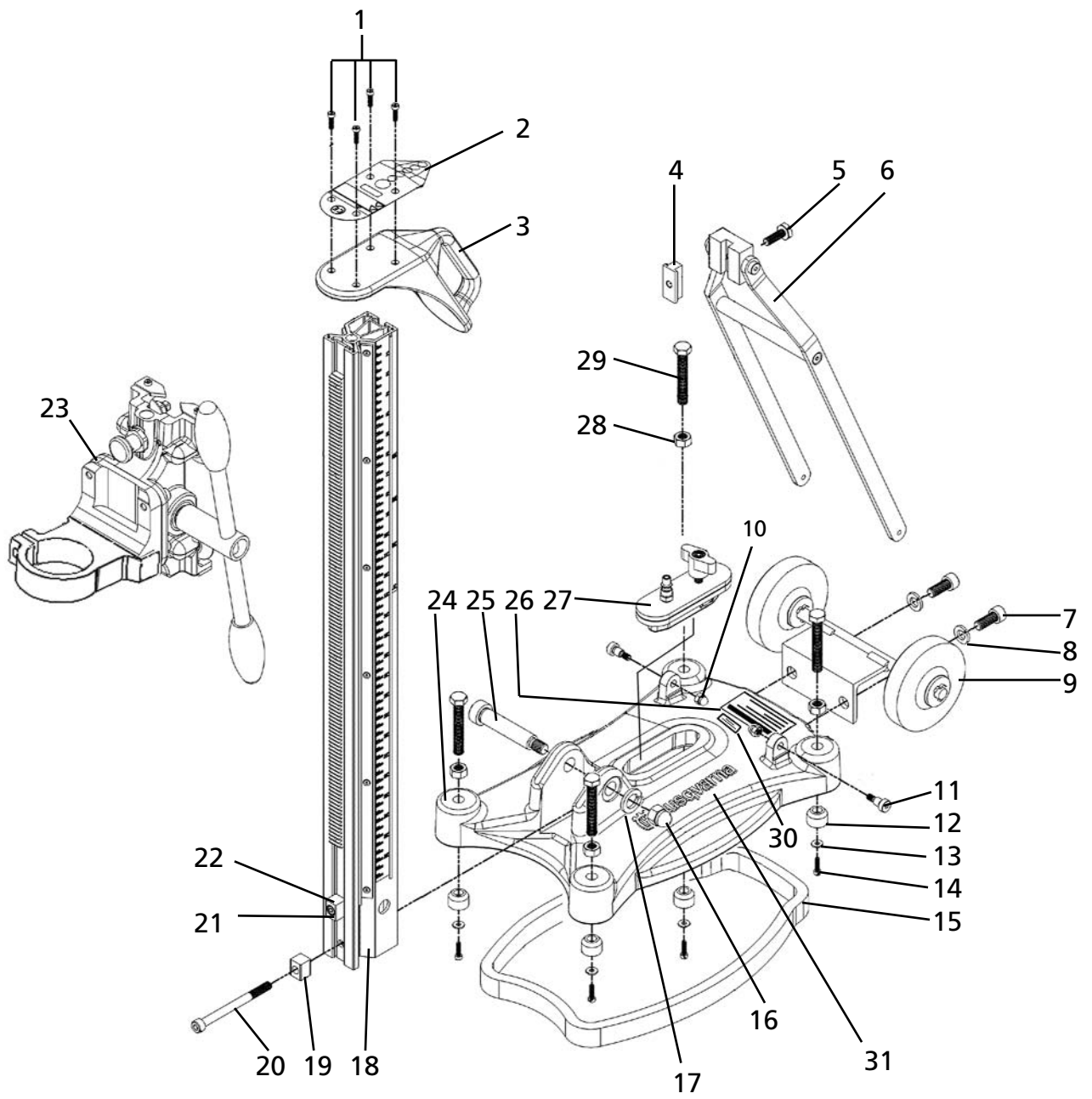
Betriebs-und Wartungsanleitung
Baustellen-Bohrmaschine

Gebruiksaanwijzing
Verplaatsbare Boormachine

Manual de Instrucoes
Perfuradora de obra

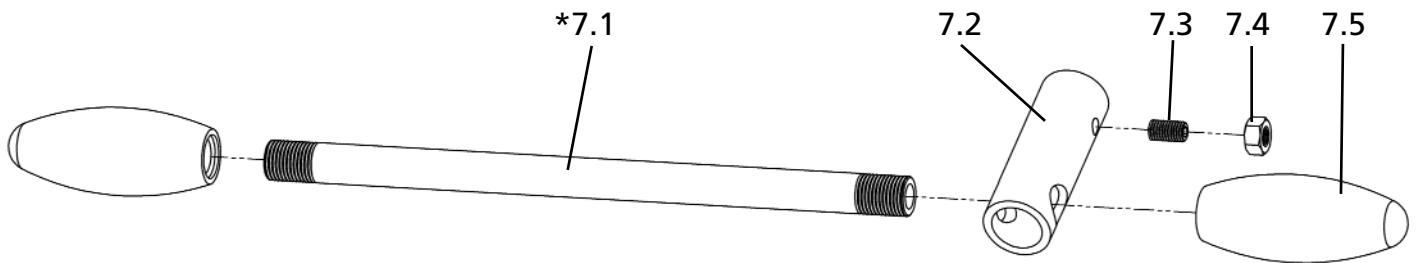
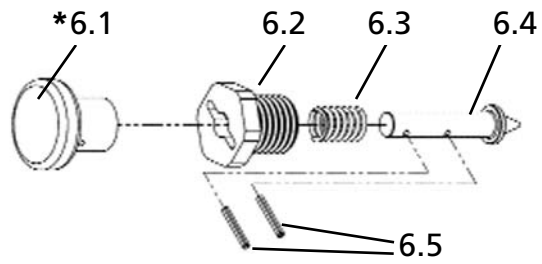
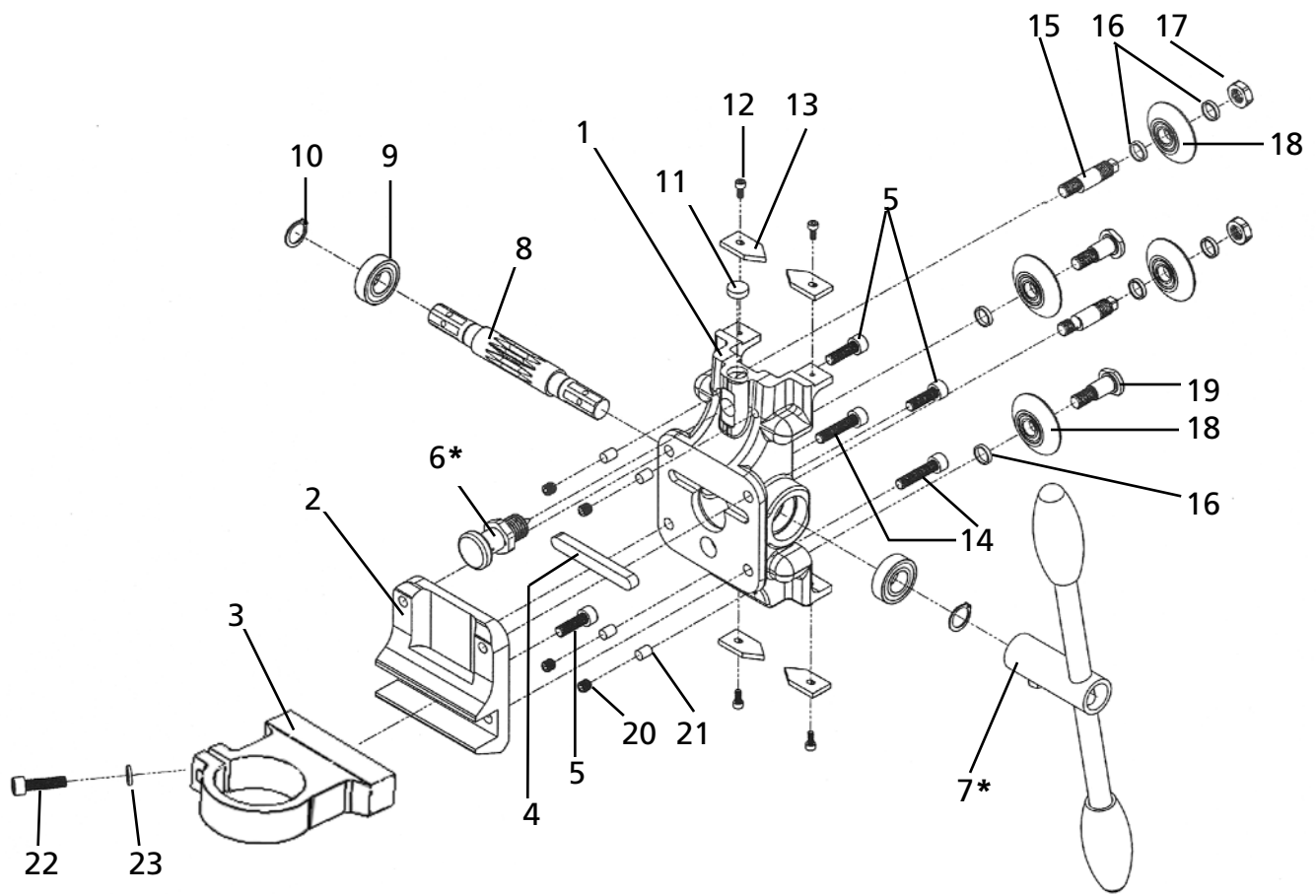
Bruksanvisning och Underhallsmanual
Borrmaskin

P/N 541404170
8/2006

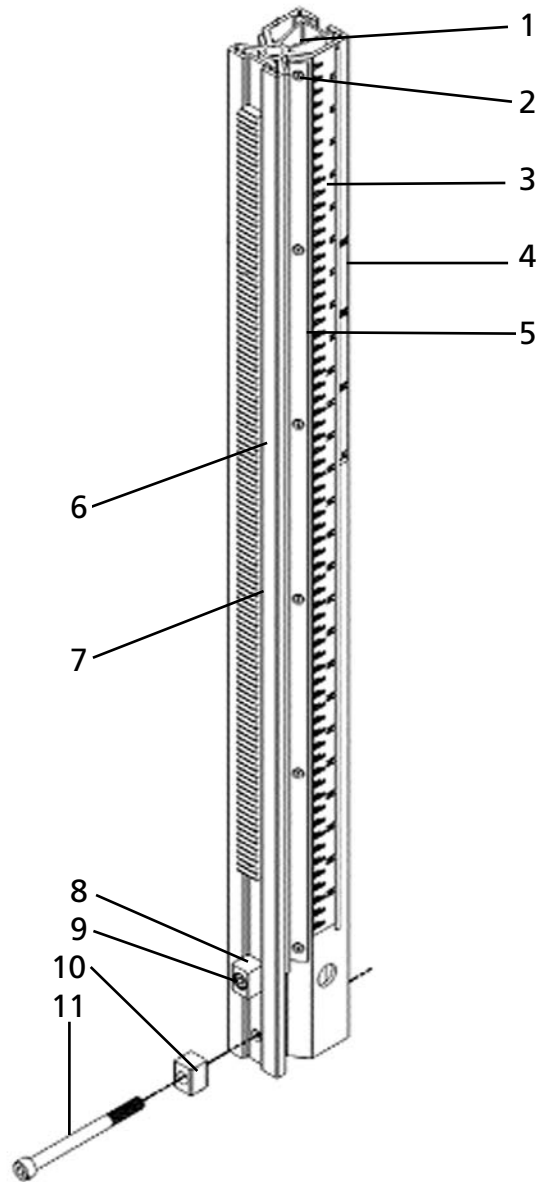


Drill Stand Parts

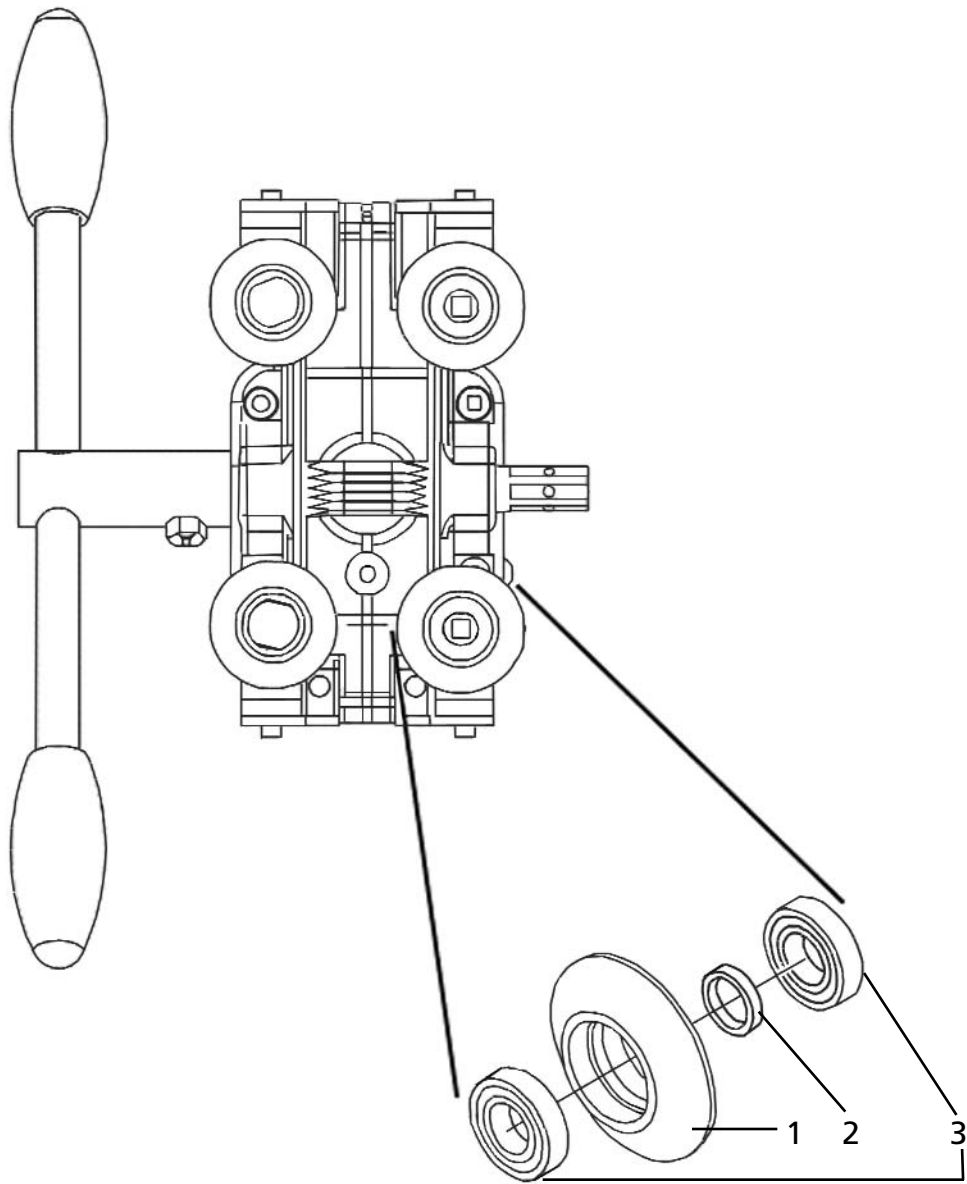
Item	Description	Part Number	Qty	Comments
1	M4x16 Socket Head Capscrew	541404147	4	
2	Handle Top Decal	541404097	1	
3	Column Handle	541404781	1	
4	T-Washer	541404078	1	
5	Angle Support Bolt	541404079	1	
6	Angle Support Assembly	541404109	1	Complete
7	M10x25 Socket Head Capscrew	541404155	2	
8	M10 Lockwasher	541404148	2	
9	Wheel Assembly	541404113	1	Complete
10	M6 Acorn Nut	541404141	2	
11	M8x10 Socket Head Shoulder Screw	541404139	2	
12	Leveling Screw Cap	541404084	4	
13	M4 Washer	541404146	4	
14	M4x16 Socket Head Capscrew	541404147	4	
15	Gasket	541404083	1	
16	M12 Acorn Nut	541404142	1	
17	M12 Lockwasher	541404143	1	
18	Drill Column Assembly	541404107	1	Complete
19	Column Spacer	541404081	1	
20	M8x90 Socket Head Capscrew	541404151	1	
21	M6x25 Socket Head Capscrew	541404136	1	
22	Carriage Stop	541404053	1	
23	Drill Carriage Assembly	541404782	1	Complete
24	Drill Base Casting	541404783	1	Complete
25	M16x70 Socket Head Shoulder Screw	541404144	1	
26	Drill Operating Instruction Decal	541404098	1	
27	Vacuum Cap Assembly	541404786	1	Complete
28	M10x1.5 Nut	541404145	4	
29	Leveling Screw	541404080	4	
30	Serial Number Decal	541404099	1	
31	Husqvarna Decal	542190734	1	
32	M6 Allen Wrench	541404153	1	Not Shown



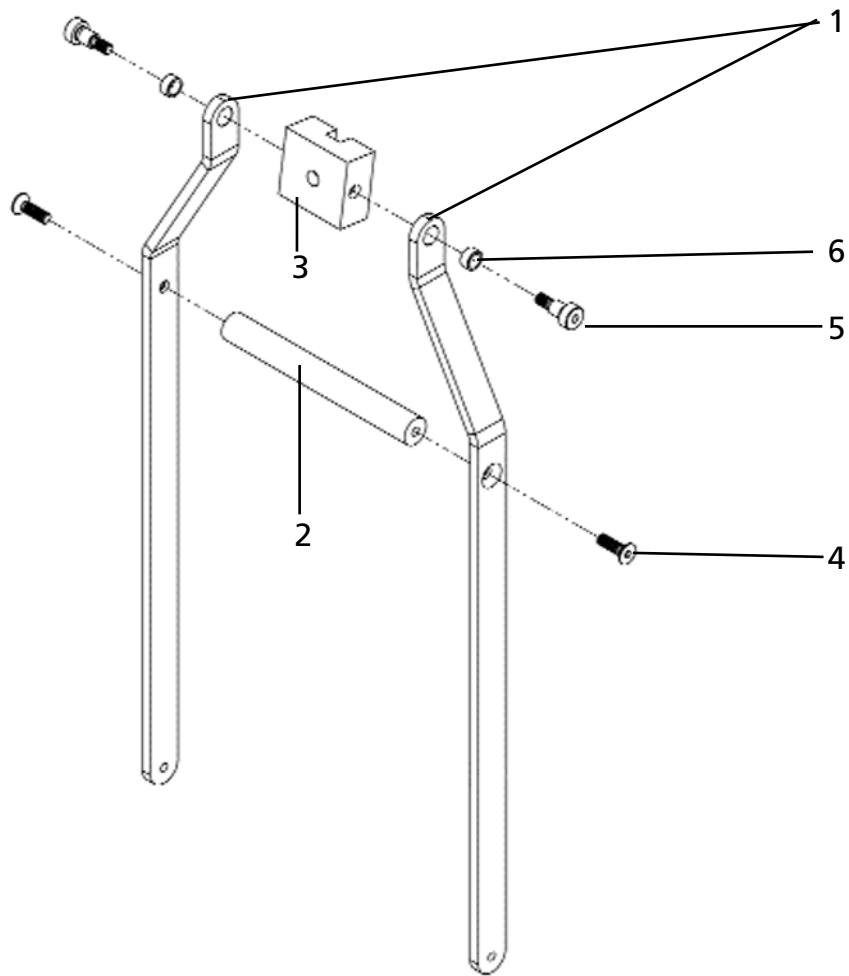
Item	Description	Part Number	Qty	Comments
1	Drill Carriage	541404784	1	
2	Adaptor Plate	541404029	1	
3	Drill Collar	541404030	1	
4	Key	541404031	1	
5	M8x25 Socket Head Capscrew	541404126	3	
6	Locking Mechanism	541404114	1	Complete
6.1	Knob	541404087	1	
6.2	Pin Retainer	541404085	1	
6.3	Compression Spring	541404089	1	
6.4	Pin	541404086	1	
6.5	Spring Pin 2mmx16mm	541404088	2	
7	Travel Lever Assembly	541404101	1	Complete
7.1	Travel Lever	541404043	1	
7.2	Travel Lever Drive Hub	541404044	1	
7.3	Stainless Steel Ball Plunger	541404133	1	
7.4	Hex Nut M8x1.25	541404132	1	
7.5	Travel Lever Knob	541404045	2	
8	Carriage Drive Shaft	541404040	1	
9	Bearing 17mmIDx35mmODx10mm Width	541404033	2	
10	External Retaining Ring	541404042	2	
11	Level Bubble	541404049	1	
12	M4x10 Socket Head Capscrew	541404130	4	
13	Side Cleaning Plate	541404035	4	
14	M8x35 Socket Head Capscrew	541404152	2	
15	Eccentric Shaft	541404039	2	
16	Spacer	541404036	6	
17	M12x1.75 Nut	541404131	2	
18	Roller Assembly	541404102	4	
19	Straight Shaft	541404038	2	
20	M8x8 Socket Set Screw-Cup Point	541404129	4	
21	Wear Cylinder	541404032	4	
22	M8x35 Socket Head Capscrew	541404152	1	
23	M8 Lock Nut	541404154	1	



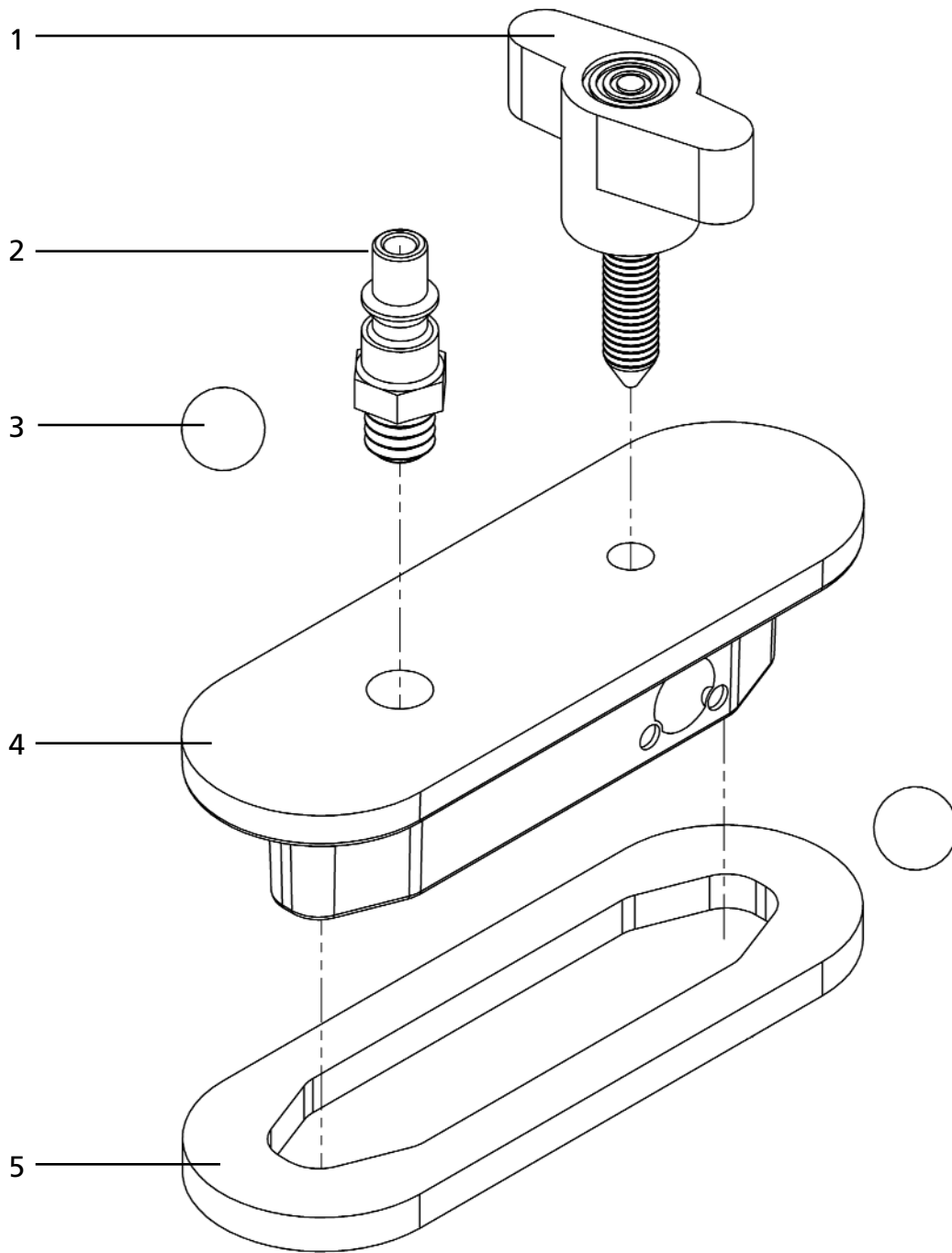
Item	Description	Part Number	Qty	Comments
1	Column	541404050	1	
2	M3x8 Socket Head, Flat Head Screw	541404137	24	
3	Depth Measurement Decal	541404054	2	
4	Angle Measurement Decal	541404055	2	
5	Wear Plate	541404052	4	
6	Rack	541404051	1	
7	M4x8 Socket Head Capscrew	541404135	6	
8	Carriage Stop	541404053	1	
9	M6x25 Socket Head Capscrew	541404136	1	
10	Column Spacer	541404081	1	
11	M8x90 Socket Head Capscrew	541404151	1	



Item	Description	Part Number	Qty	Comments
1	Roller	541404037	1	
2	Spacer	541404036	1	
3	Bearing 12mmI.D.x24mmO.D.x6mm	541404034	2	



Item	Description	Part Number	Qty	Comments
1	Angle Support Member	541404062	2	
2	Angle Support Spacer	541404064	1	
3	T-Washer Retainer	541404065	1	
4	M6x20 Flat Socket Head Screw	541404138	2	
5	M8 Socket Head Shoulder Screw	541404139	2	
6	Angle Support Bushing	541404063	2	



Item	Description	Part Number	Qty	Comments
1	Knob w/Stud	541404073	1	
2	1/8 NPT Male Fitting	541404071	1	
3	Ball Detent	541404072	2	
4	Vacuum Cap	541404785	1	
5	Vacuum Cap Gasket	541404070	1	