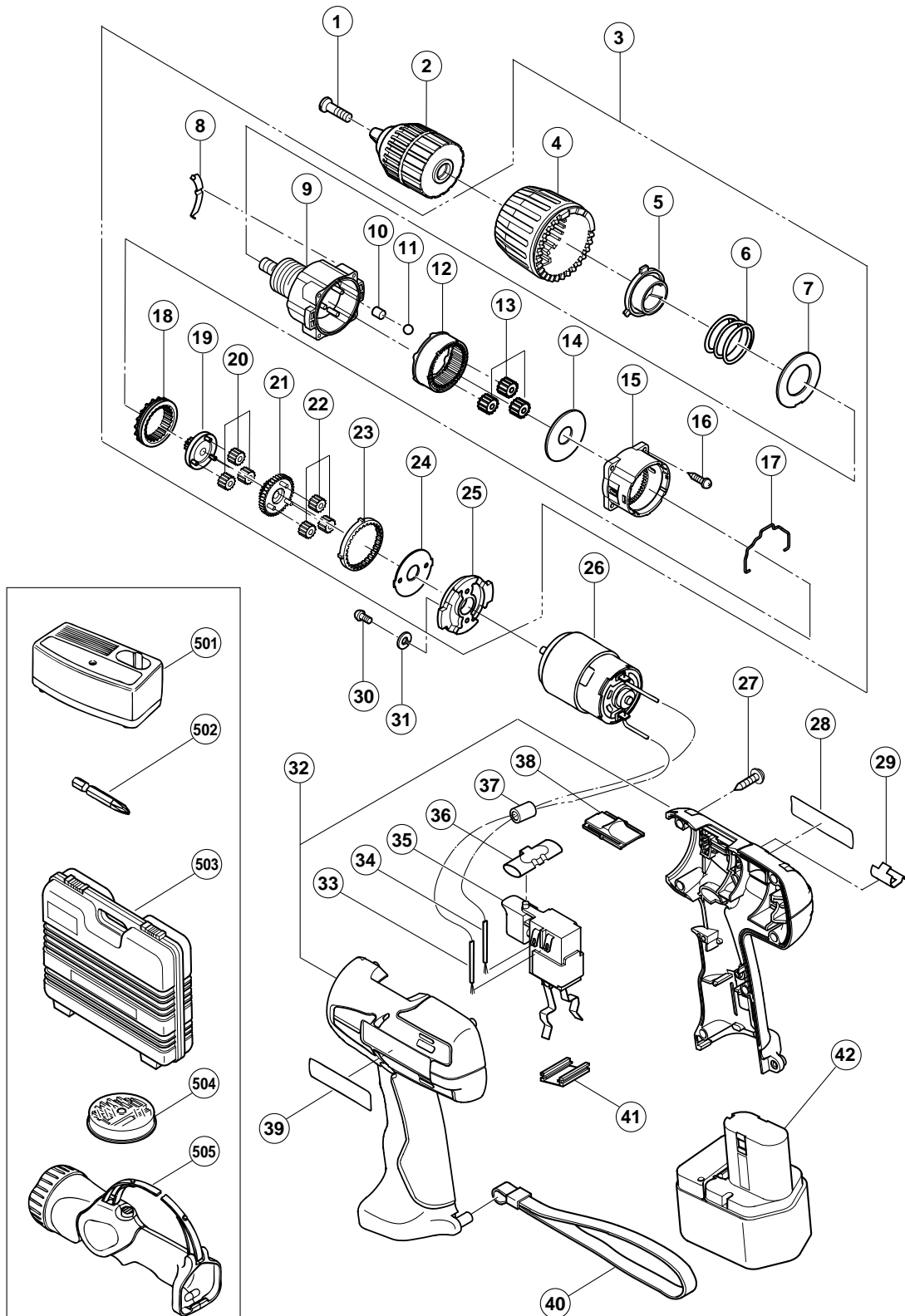


ELECTRIC TOOL PARTS LIST

CORDLESS DRIVER DRILL
Model DS 12DVF2

2004 • 3 • 5
(E1)



PARTS

DS 12DVF2

ITEM NO.	CODE NO.	DESCRIPTION	NO. USED	REMARKS
1	318-228	SPECIAL SCREW (LEFT HAND) M5X27	1	
2	312-516	DRILL CHUCK 10TLRD-N (W/O CHUCK WRENCH)	1	
3	322-523	GEAR BOX ASS'Y	1	INCLUD. 4-25
4	322-525	CAP	1	
5	318-232	NUT	1	
6	312-709	SPRING	1	
7	312-714	WASHER (D)	1	
8	312-713	CLICK SPRING	1	
9	318-230	FRONT CASE	1	
10	319-744	ROLLER	6	
11	306-936	STEEL BALL D5	6	
12	312-715	RING GEAR	1	
13	312-705	PLANET GEAR (C) SET (3 PCS.)	3	
14	312-704	WASHER (A)	1	
15	312-697	REAR CASE	1	
16	315-817	SCREW SET D3X12 (6 PCS.)	4	
17	311-962	SHIFT ARM	1	
18	315-137	SLIDE RING GEAR	1	
19	315-805	PINION (C)	1	
20	315-816	PLANET GEAR (B) SET (3 PCS.)	3	
21	315-804	PINION (B)	1	
22	315-815	PLANET GEAR (A) SET (3 PCS.)	3	
23	315-136	FIRST RING GEAR	1	
24	312-716	WASHER (B)	1	
25	318-231	MOTOR SPACER	1	
26	318-244	MOTOR	1	
27	313-687	TAPPING SCREW (W/FLANGE) D3X16 (BLACK)	7	
28		NAME PLATE	1	
29	318-237	BIT HOLDER	1	
30	949-203	MACHINE SCREW M3X8 (10 PCS.)	2	
31	949-451	SPRING WASHER M3 (10 PCS.)	2	
32	322-526	HOUSING (A). (B) SET	1	
33	306-040	INTERNAL WIRE (B) (RED)	1	
34	306-041	INTERNAL WIRE (B) (BLACK)	1	
35	322-632	DC-SPEED CONTROL SWITCH	1	
36	319-760	PUSHING BUTTON	1	
37	318-247	FERRITE CORE	1	
38	318-234	SHIFT KNOB	1	
39		HITACHI LABEL	1	
40	306-952	STRAP (BLACK)	1	
41	315-141	TERMINAL SUPPORT (A)	1	
* 42	320-608	BATTERY EB 1214L (W/ENGLISH N.P.)	2	
* 42	322-629	BATTERY EB 1214S (W/ENGLISH N.P.)	2	

