

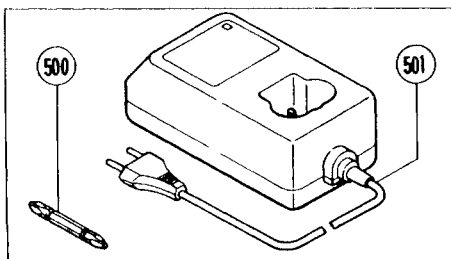
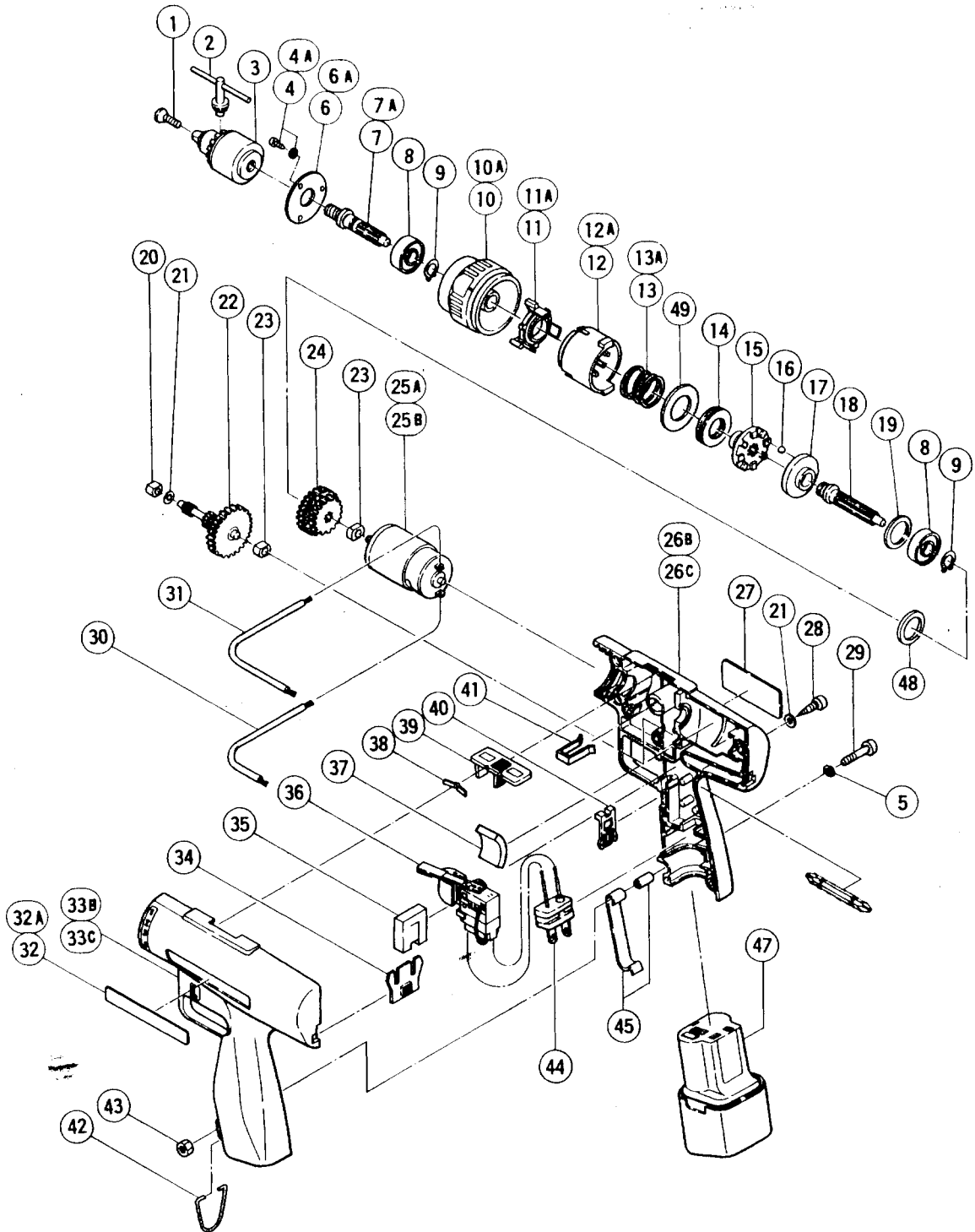
## ELECTRIC TOOL PARTS LIST

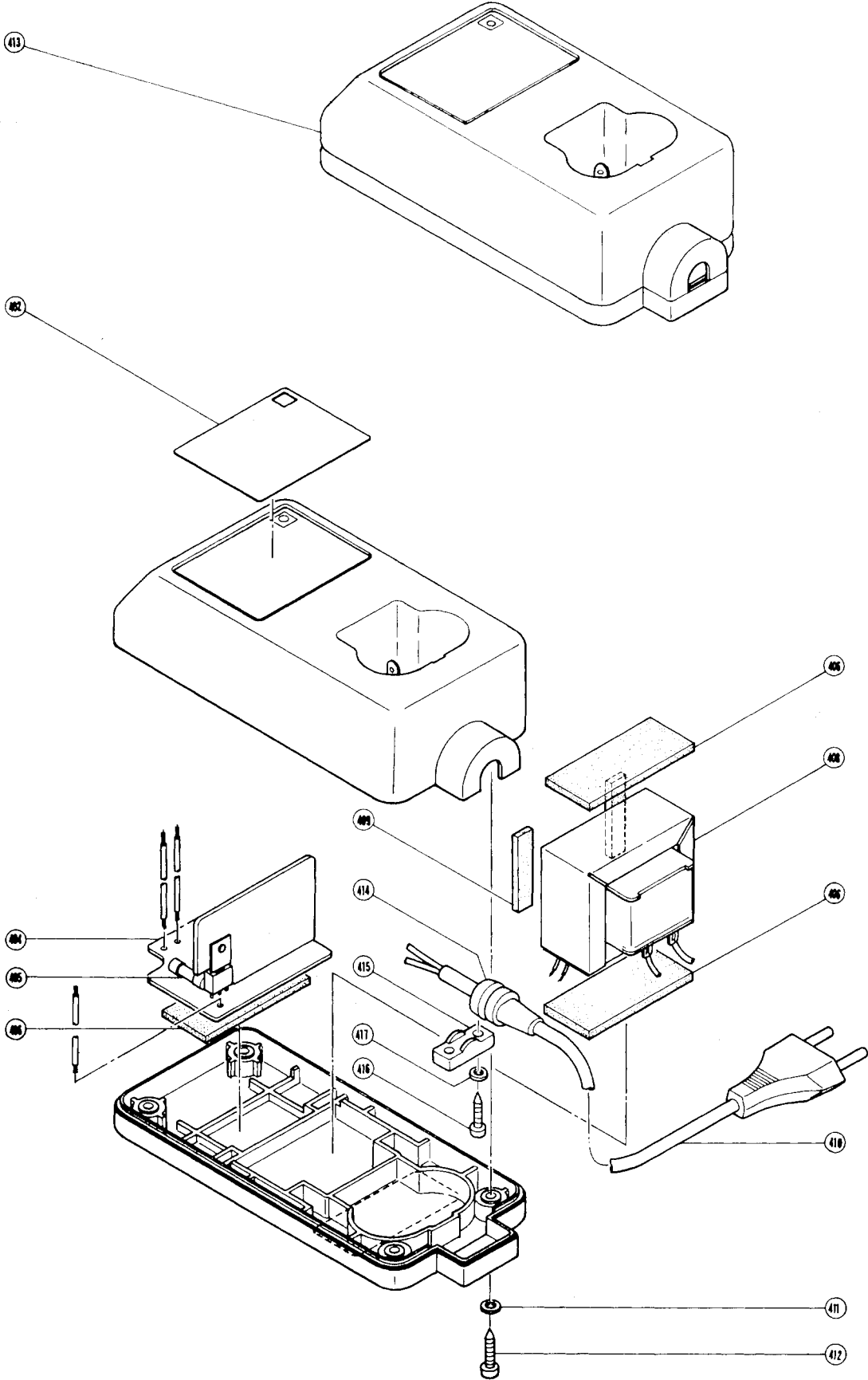
■ CORDLESS SUPER DRILL

1985-3-20

Model DRC-10

DRC-10(E4)





## PARTS

DRC-10(E4)

Item No.	Code No.	Part Name	Q'ty	Remarks
1	980836	⊖ Flat screw (Left Hand) M5	1	
2	980057	Chuck Handle	1	
3	950255	Drill Chuck 10TLR	1	includ. 2
4	949216Z	⊕ Hd. Machine Screw M4 x 10	2	till 12, 1984 (10 pcs.)
4A	984327	⊕ Hd. Tapping Screw D3 x 8	3	w/Spring Lock Washer, since 1, 1985
5	949453Z	Spring Lock Washer	1	for M4 (10 pcs.)
6	981343	Plate	1	till 12, 1984
6A	991663	Plate	1	since 1, 1985
7	981337	Spindle (B)	1	till 12, 1984
7A	981355	Spindle (B)	1	since 1, 1985
8	939435	C-Type Retaining Ring	2	
9	949156Z	C-Type Retaining Ring	2	(10 pcs.)
10	981342	Cap	1	till 12, 1984
10A	991576	Cap	1	since 1, 1985
11	981340	Spring Plate	1	till 12, 1984
11A	991575	Spring Holder	1	since 1, 1985
12	981341	Cap Holder	1	till 12, 1984
12A	981356	Case	1	since 1, 1985
13	981349	Spring 19.5 mm	1	till 12, 1984
13A	981359	Spring	1	since 1, 1985
14	981338	Thrust Bearing	1	
15	981336	Ratchet	1	
16	939363	Steel Ball D3.969	8	(50 pcs.)
17	981335	Ball Holder	1	
18	981332	Spindle (A)	1	
19	981334	Damper	1	till 12, 1984
20	980827	Metal 4 x 6	1	
21	949423Z	Washer	7	for M4 (10 pcs.)
22	980823	Second Pinion Ass'y	1	
23	980556	Metal	2	
24	981348	Final Gear	1	
25A	980822	Motor Ass'y	1	till 8, 1984
25B	992071	Motor Ass'y	1	Since 9, 1984
26A	981352	Housing Ass'y	1	includ. 37 till 8, 1984
26B	992102	Hosing (B) Ass'y	1	from 9, 1984 to 12, 1984
26C	981357	Housing (B) Ass'y	1	since 1, 1985
27	—	Name Plate	1	
28	954004	⊕ Hd. Tapping Screw D4 x 16	5	
29	949223Z	⊕ Hd. Machine Screw M4 x 25	1	
30	—	Internal Wire (B)	1	Black
31	—	Internal Wire (B)	1	Red
32	938098	HITACHI Label	1	
32A	937638	HITACHI Label	1	
33A	981352	Housing Ass'y	1	includ 37, till 8, 1984
33B	992100	Housing (A)	1	from 9, 1984 to 12, 1984
33C	981354	Housing (A)	1	since 1, 1985
34	981344	Bit Cover	1	
35	980834	Seal	1	
36	980830	Switch Ass'y	1	
37	980840	Cushion (A)	1	
38	980829	Shift Spring	1	
39	980828	Shift Knob	1	
40	980833	Switch Lock	1	



**CHARGER (Type BC-2)**

**DRC-10(E4)**

Item No.	Code No.	Part Name	Q'ty	Remarks
402	—	Name Plate	1	
404	—	Plate	1	See Alternative Parts
405	—	Fuse	1	
406	980623	Cushion	3	
408	—	Transformer	1	
409	—	Spacer	4	See Alternative Parts
410	—	Cord	1	
411	949423Z	Washer	4	for M4 (10 pcs.)
412	956384	⊕ Hd. Tapping Screw D4 x 20	4	

**ALTERNATIVE PARTS**

Item No.	Code No.	Part Name	Q'ty	Remarks
404	980625	Plate	1	includ. 405
	980638Z	Plate (A) for Europe	1	includ. 405
	980639Z	Plate for U.S.A.	1	includ. 405
405	980626	Fuse		
	980640Z	Fuse for Europe	1	
	980641Z	Fuse for U.S.A.	1	
408	980649Z	Transformer 110V~120V	1	includ. 409
	980630Z	Transformer 220V	1	
	980633Z	Transformer 230V~240V	1	
	980637Z	Transformer 230V~240V	1	
	980637Z	Transformer for U.S.A.	1	
	980610	Transformer for Australia		
409	980627	Spacer 110V~120V	4	
	982520	Spacer 220V~240V	2	
410	980635Z	Cord for Asia	1	
	980632Z	Cord for Europe, Singapore	1	
	980642Z	Cord for Europe	1	
	980643Z	Cord for NZ, PNG	1	
	980644Z	Cord for U. K.	1	
	980645Z	Cord for U.S.A.	1	
	980611	Cord for Australia	1	
	980616Z	Cord	1	for Finland
413	980646Z	Case Ass'y for U.S.A.	1	
	980630	Case Ass'y	1	
	980615Z	Case Ass'y	1	for Finland
414	980617Z	Cord Armor	1	for Finland
	980647Z	Cord Armor	1	
415	937631	Cord Clip	1	
416	954004	⊕ Tapping Screw M4 x 16	2	
417	949423Z	Washer	2	for M4 (10 pcs.)

