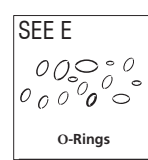
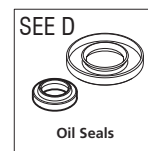
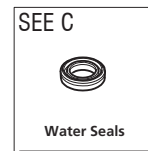
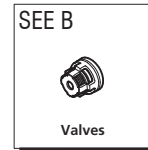
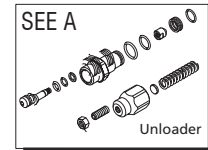
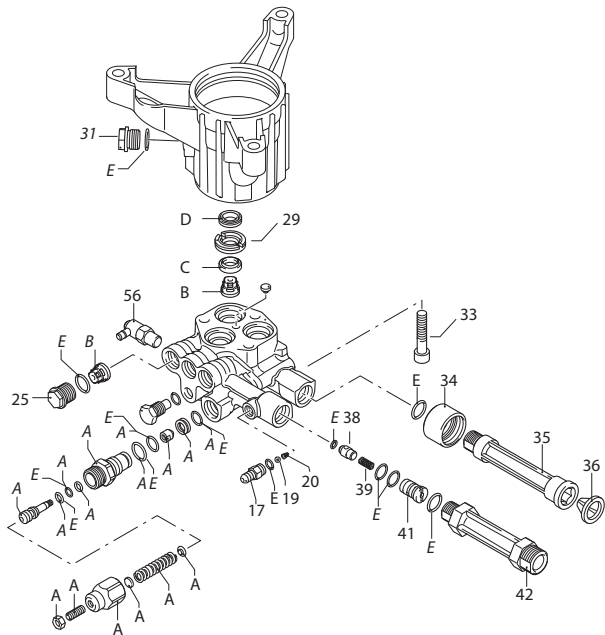


EXPLODED VIEW: EV PW RESI VE ES DR**DRAWING #: 10000031699****GROUP EV**

ITEM	PART#	QTY.	DESCRIPTION
1	10000024444	1	ENGINE
2	10000021472	1	HANDLE C-GRIP
3	10000026998	1	HANDLE KIT
4	0L6431	1	HOLSTER VP GUN
5	0J1449	2	FASTENER RIBBED SHANK CHRSTM T
6	10000021478	1	GUN VP
7	0H9640	1	LANCE ASSY
8	0K0921	1	HOSE (DPW3101 DEN)
	10000038679	1	HOSE (DPW3100 DEN)
9	0J3052	1	HOOK-HOSE
10	0K9974	2	PUSH NUT
11	0J3079	4	GROMMET-NOZZLE
12	0H9617R	1	KIT-NOZZLE
13	10000022827	1	DECAL NOZZLE BILLBOARD ESTART DR
14	10000022971	1	PUMP AXIAL
15	G073144	3	SCREW HHFC M8-1.25 X 45 G8.8
16	10000024473	1	PLATE VERT ENGINE MOUNTING ORG
17	10000018924	1	ASSY BATTERY BOX 12V
18	0G5442	2	SNAP BUTTON
19	10000027441	1	CRADLE KIT
20	0D6029	2	TAPTITE
21	0L2091	1	DECAL NO NOT USE BLEACH
22	10000022233	1	CAP CHEM TANK
23	10000017961	1	DECAL QUICK START
24	10000017938	1	DECAL QUICK START
25	10000021533	2	PIN AXLE
26	0J6276	2	WHEEL
27	0J3331	4	SCREW BFHSC M6-1.0 X 45 BLK ZP
28	0L3579A	1	PW FOAMER QC TBD (DPW3100DEN ONLY)
29	10000007185	1	BAG MESH DRAWSTRING (DPW3100DEN ONLY)
30	10000008335	1	CARD LAMINATED PW ACCESSORY (DPW3100DEN ONLY)
31	0L5832	1	OIL POUCH
32	10000023745	1	ASSY POWER BROOM BLANK(DPW3100DEN)
33	0D3700	4	NUT FLANGE M6-1.0 NYLOK
34	10000024467	1	ASSY BATTERY 12V LITHIUM ION-DR
35	10000020284	1	ASSY CHARGER BATTERY 12V LI ION
36	G022304	2	WASHER FLAT 1/2 ZINC
37	10000023074	1	CHEMICAL HOSE (NOT SHOWN)

Pump Parts Manual



REF. #	Part #	QTY	Description
17	1000002663	1	HOSE NIPPLE
19	OK16630111	1	BALL
20	OK16630112	1	SPRING
25	10000026629	3	CAP, VALVE RM BLK
29	0H95650133	3	BUSHING
31	10000026682	1	PLUG 3/8"
33	10000026682	3	SCREW M8X40 (221in/lbs)
34	10000026712	1	SUCTION FITTING
35	10000026685	1	SUCTION EXTENSION (221in/lbs)
36	10000026675	1	FILTER
38	10000026676	1	SHUTTER W/OUT ORING
39	100000026687	1	SPRING
41	0J93750109	1	INJECTOR
42	10000026688	1	OUTLET EXTENSION (221in/lbs)
56	0H9570	1	THERMAL RELIEF VALVE

REF. #	Part #	Description
A	0H95650116	KIT - UNLOADER
B	0H95650110	KIT - VALVES
C	0H95650113	KIT - WATER SEALS
D	0H95650112	KIT - OIL SEALS
E	0H95650114	KIT - O-RINGS