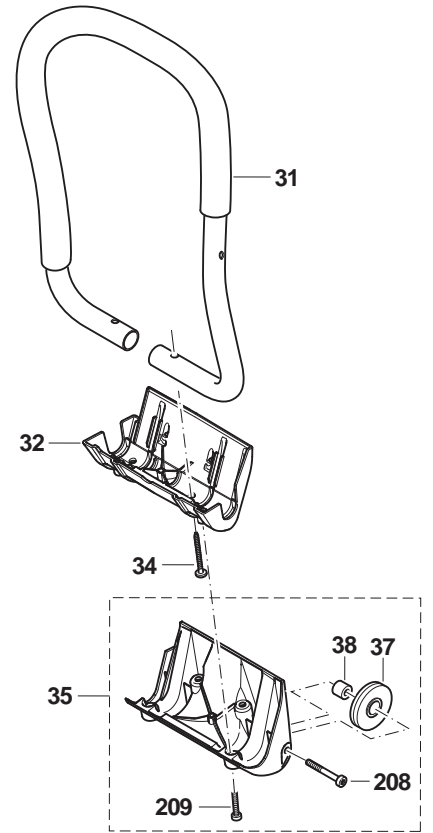
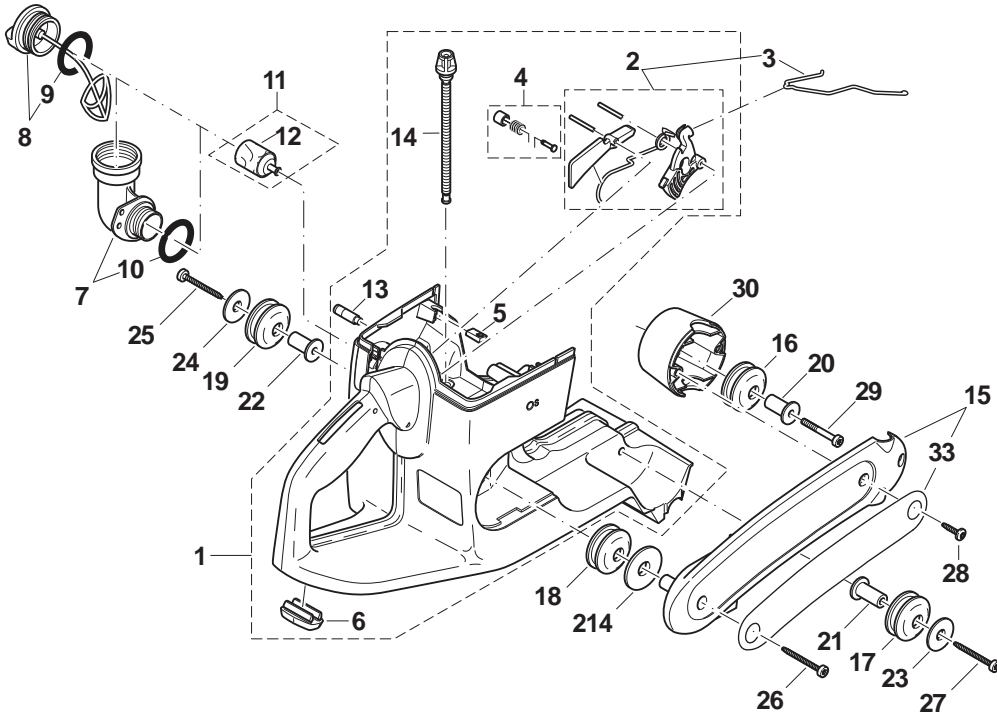
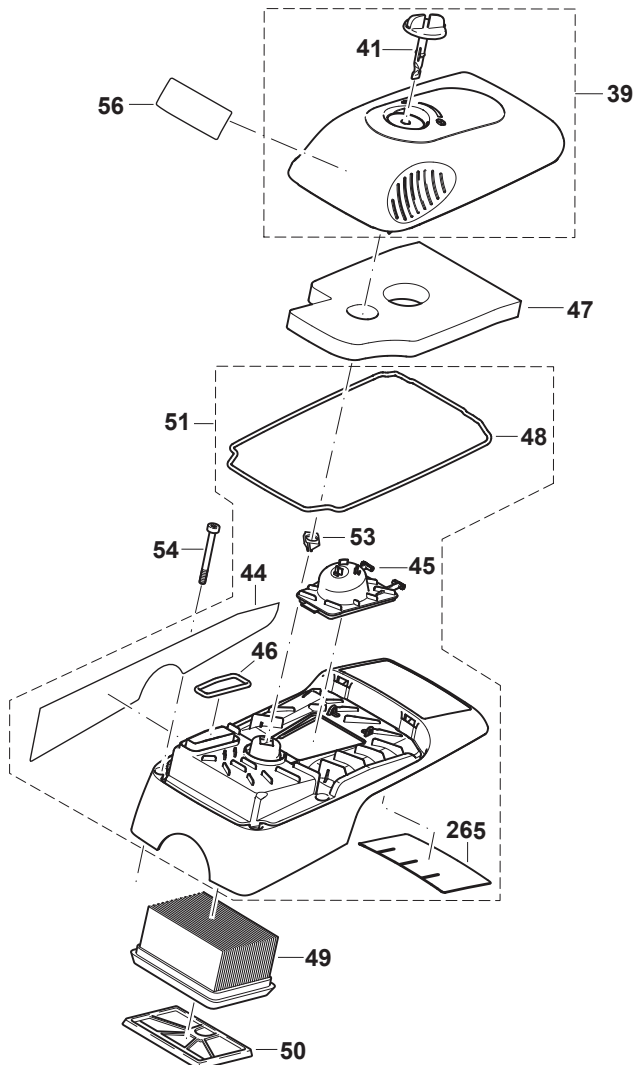
**CONTENTS:**

- 1) TANK and HANDLE GRIPS
- 2) CLUTCH, SPROCKET GUARD
- 3) MUFFLER
- 4) CARBURETOR
- 5) STARTER, IGNITION ASSY.
- 6) CYLINDER, CRANKSHAFT, CLUTCH
- 7) CUTTING DEVICE, PROTECTION HOOD
- 8) ACCESSORIES, WATER KIT

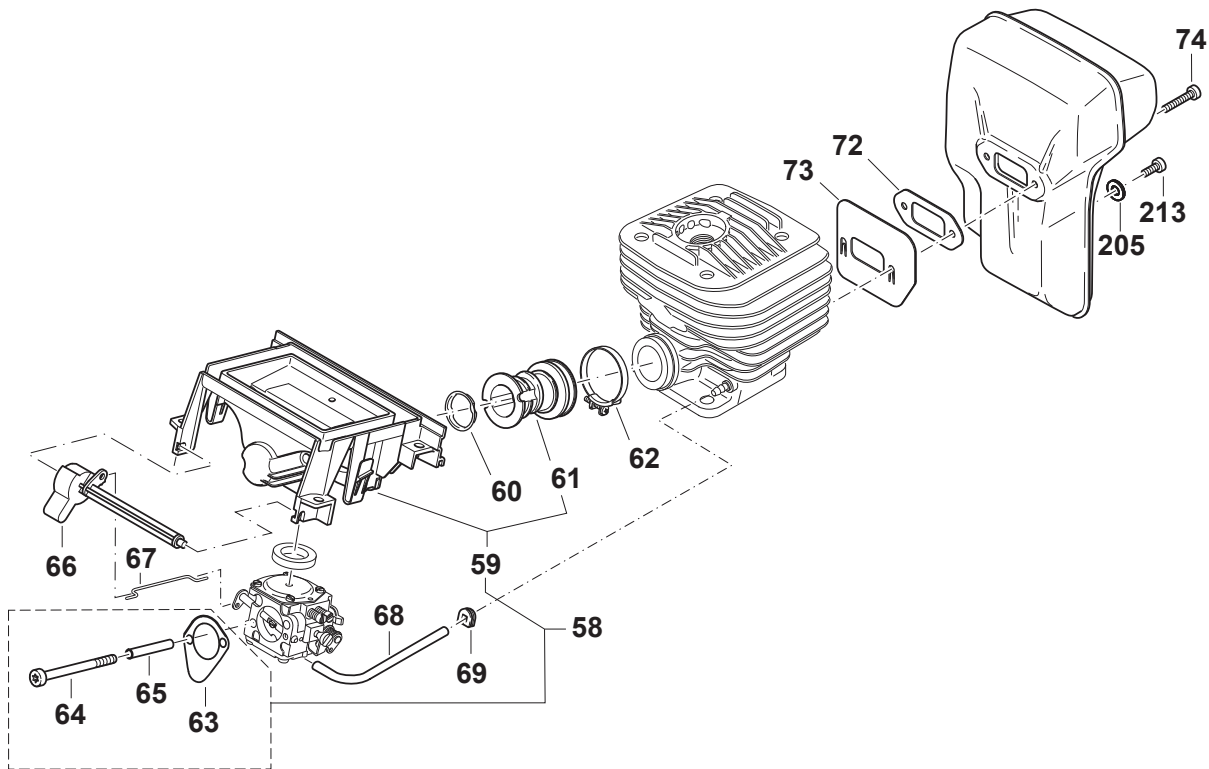
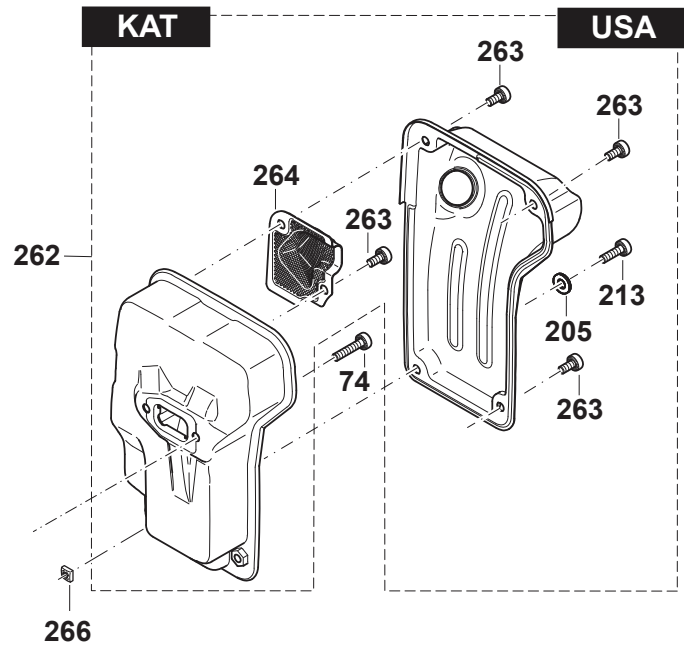
1) TANK and HANDLE GRIPS



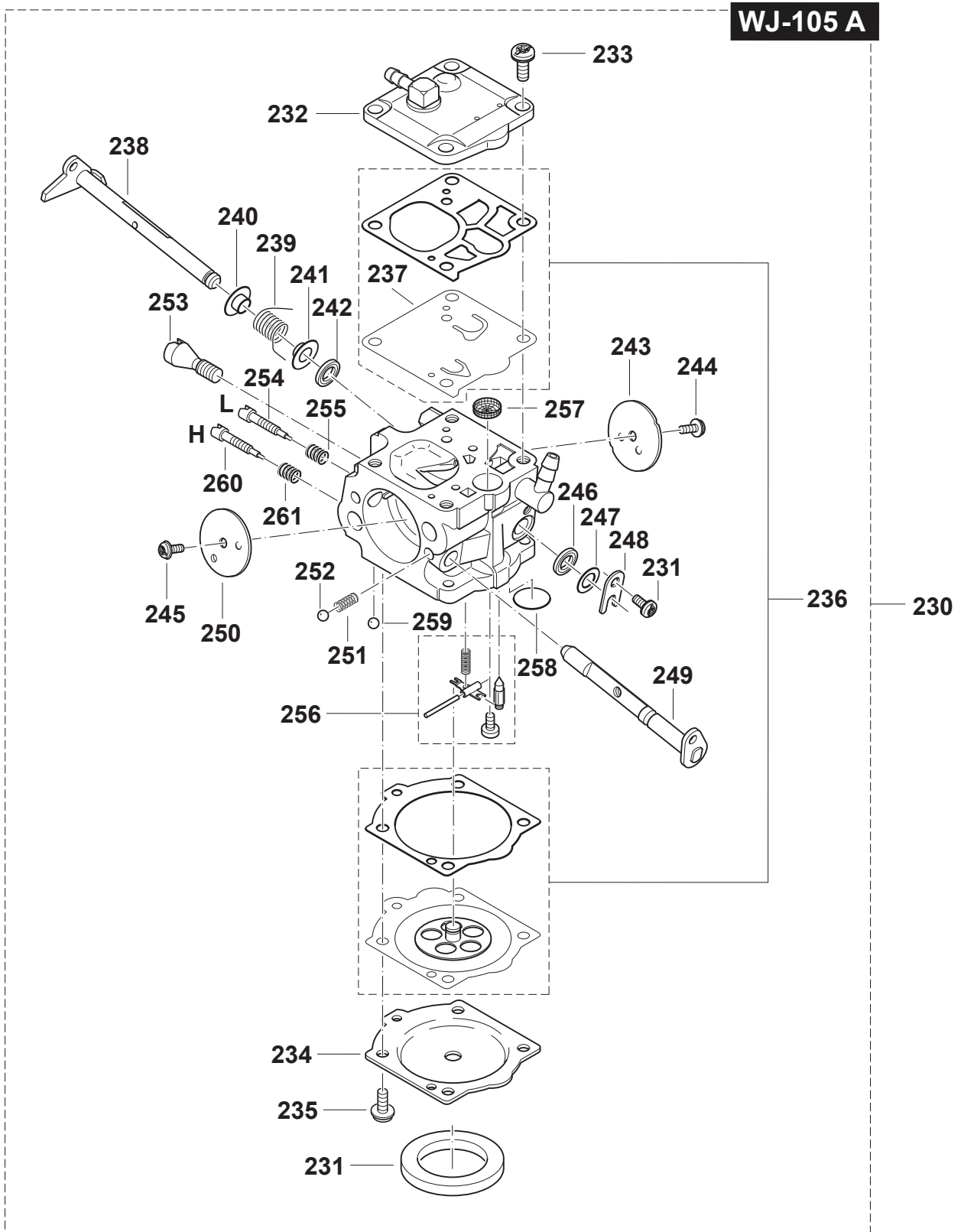
2) CLUTCH, SPROCKET GUARD



3) MUFFLER

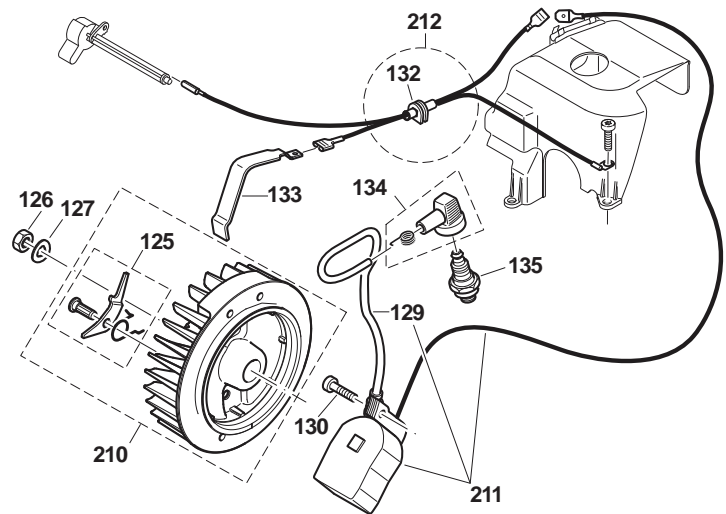
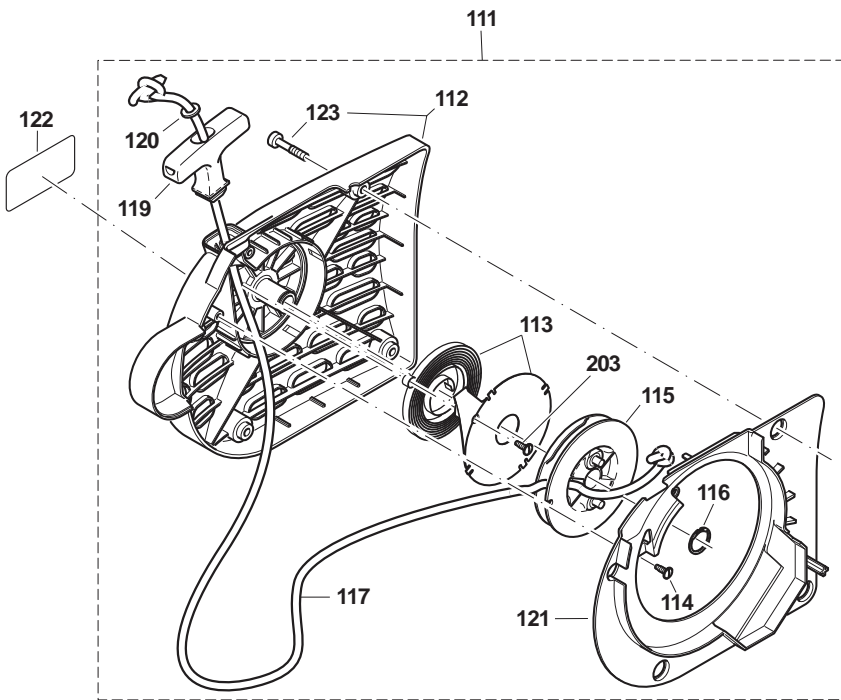
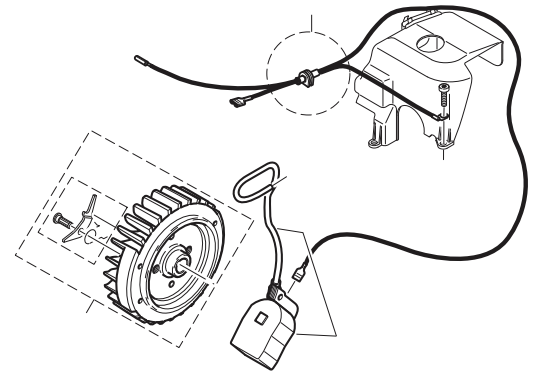


4) CARBURETOR

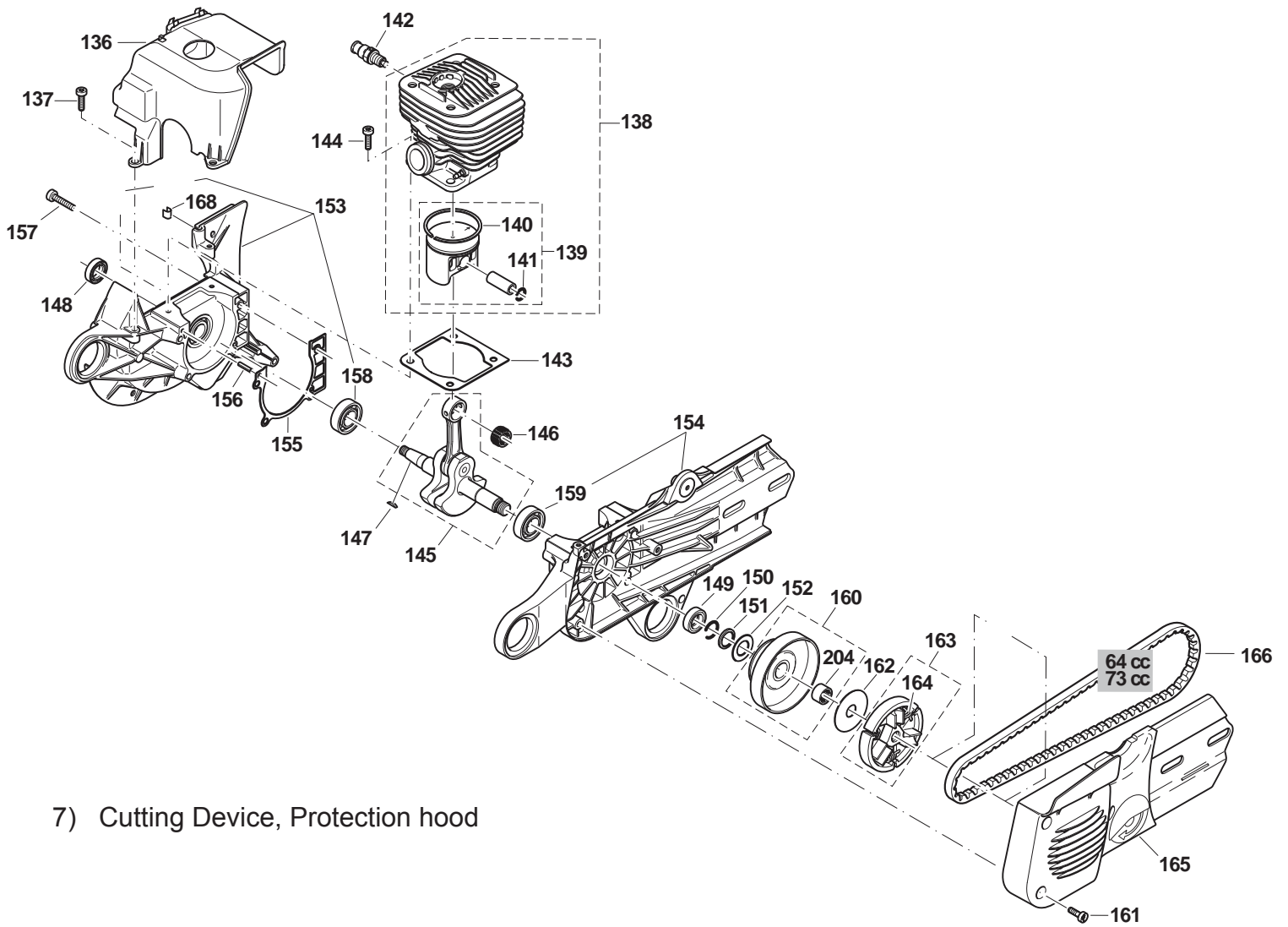


5) STARTER ASSY., IGNITION ASSY.

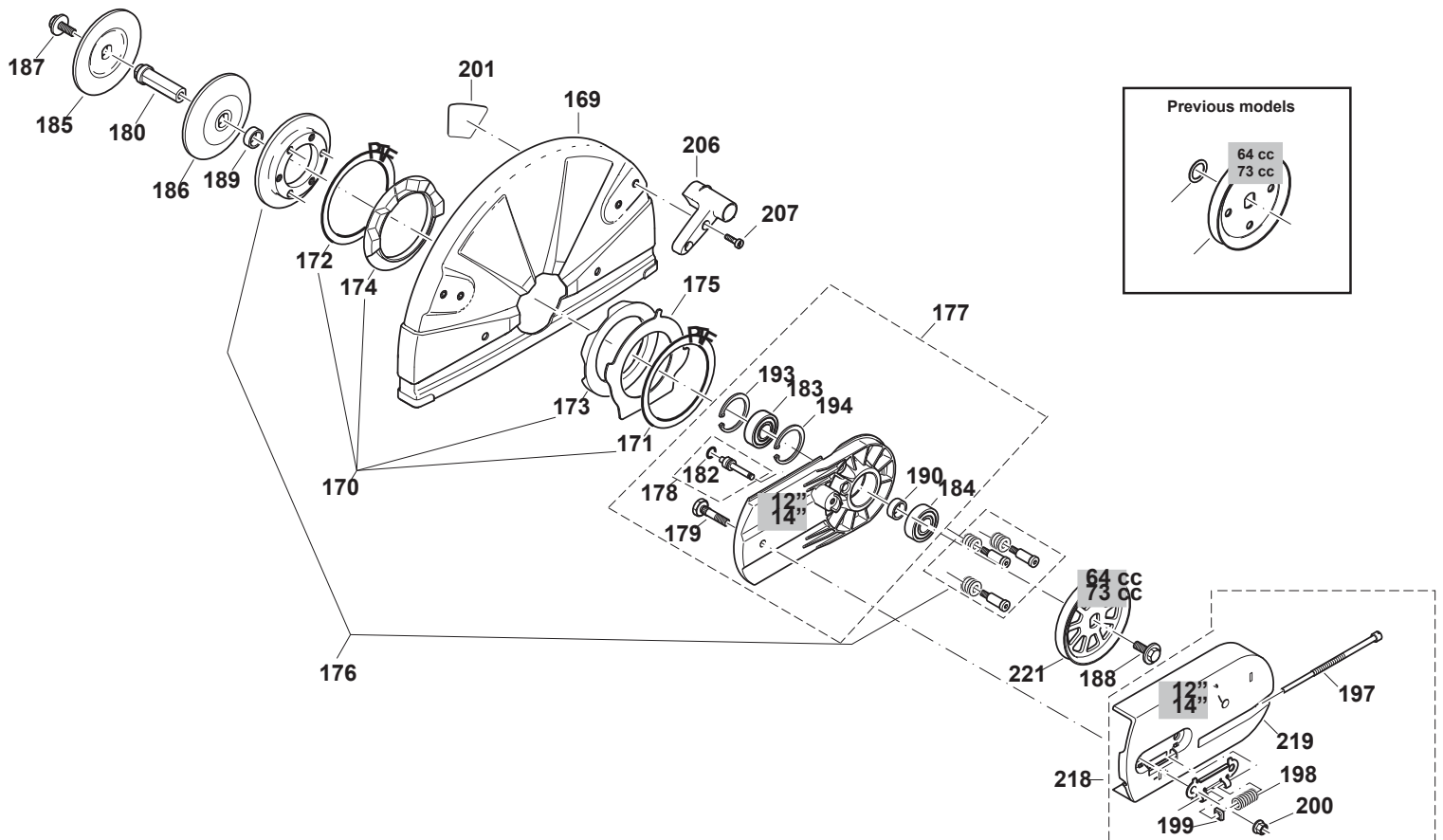
Previous models



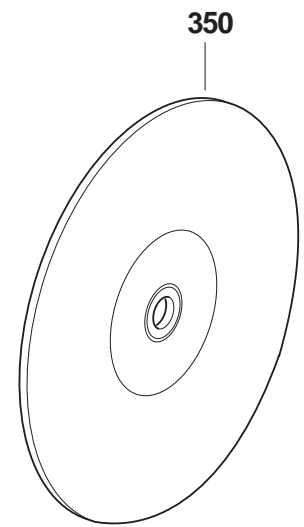
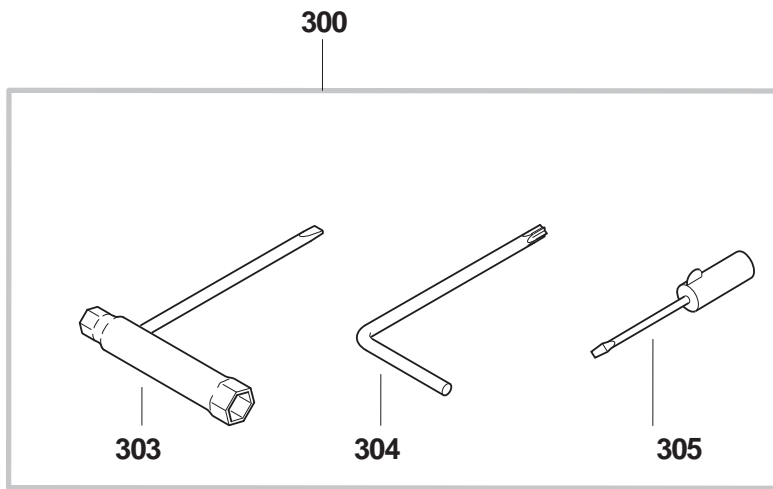
6) Cylinder, Crankshaft, Clutch



7) Cutting Device, Protection hood



8) ACCESSORIES



WATER KIT

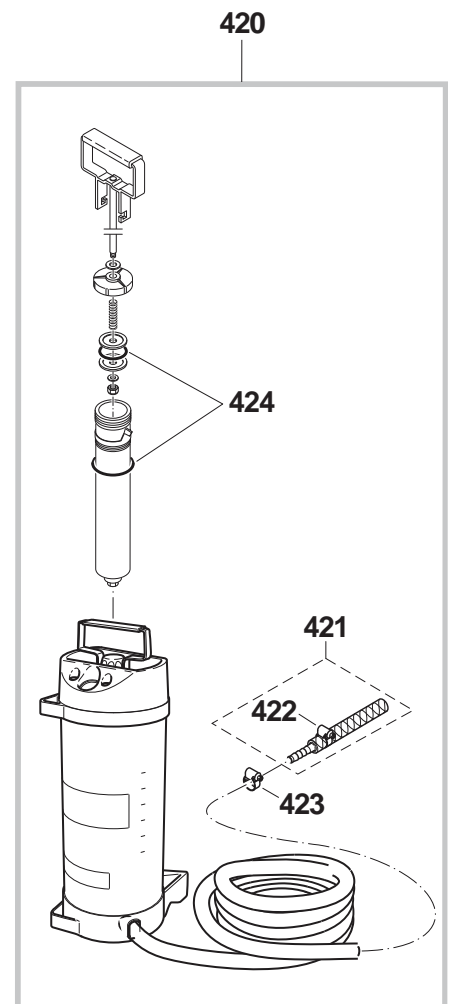
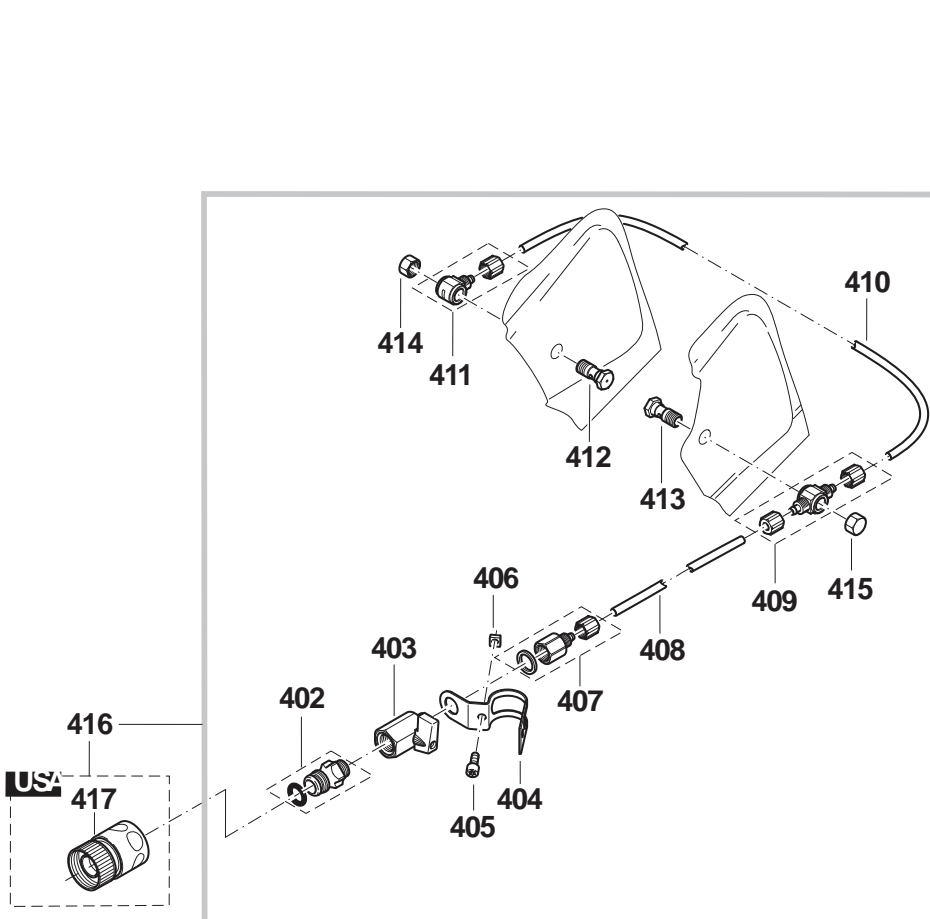


Fig.	Part No.	Qty.	Description	SPECIFICATION	NOTE
1	394 114 604	1	TANK CPL., BLUE		
2	957 117 020	1	THROTTLE MECHANISM, CPL.		
3	394 117 011	1	THROTTLE LINKAGE		
4	957 117 030	1	HALF-THROTTLE LOCK, CPL.		
5	394 114 100	4	SCREW PLUG		
6	394 114 070	1	RUBBER FOOT		
7	010 114 081	1	ANGULAR UNION ASSY.		ACC.
8	010 114 091	1	TANK CAP CPL.		
9	963 230 031	1	O-RING, RED	Ø30X3	
10	963 230 031	1	O-RING, RED	Ø30X3	
11	963 601 120	1	SUCTION HEAD		
12	963 601 240	1	FELT		
13	010 175 050	1	AIR VALVE CPL.		
14	965 404 911	1	FUEL LINE		
15	394 114 660	1	BRACKET	MAKITA	
16	965 403 535	1	RUBBER BUFFER		
17	965 403 535	1	RUBBER BUFFER		
18	965 403 535	1	RUBBER BUFFER		
19	965 403 535	1	RUBBER BUFFER		
20	394 114 032	1	AXLE		
21	394 114 032	1	AXLE		
22	394 114 032	1	AXLE		
23	900 005 078	1	WASHER		
24	900 005 078	1	WASHER		
25	913 455 454	1	SCREW	5,5X45	
26	913 455 454	1	SCREW	5,5X45	
27	913 455 454	1	SCREW	5,5X45	
28	913 455 204	2	SCREW	5,5X20	
29	908 305 405	1	SCREW	M5X20X40	
30	394 114 050	1	POT		
31	394 310 100	1	WRAP AROUND HANDLE		
32	394 114 190	1	FOOT		
33	980 115 215	1	LABEL	MAKITA	
34	913 455 454	2	SCREW	5,5X45	
35	394 114 270	1	FOOT CPL.		
37	394 114 230	2	ROLLER		
38	394 114 240	2	BUSHING		
208	908 006 355	2	SCREW	M6X35	
209	908 905 165	4	SCREW	5X16	
214	900 005 076	1	WASHER		
39	326 118 610	1	COVER ASSY.		
41	394 118 010	1	BAYONET FIXING		
44	980 115 269	1	SAFETY LABEL		
45	326 118 070	1	COVER FOR SPARK PLUG		
46	326 118 050	1	PACKING RING		
47	326 173 080	1	PREFILTER		
48	326 118 020	1	PACKING RING		
49	394 173 010	1	AIR FILTER		
50	394 173 020	1	INNER FILTER		
51	326 118 090	1	HOOD CPL.	KAT	
53	394 118 050	1	BAYONET LOCK		
54	908 605 505	4	SCREW	M5X50	
56	980 114 999	1	LABEL	MIX	
265	326 118 060	1	THERMAL FILM		

58	957 171 394	1	MODIFICATION SET	
59	394 171 051	1	CONNECTING SLEEVE CPL.	
60	024 131 032	1	INSERT FOR SUCTION HOSE	
61	394 131 101	1	SUCTION LINE	
62	965 603 050	1	HOSE CLIP	
63	965 518 120	1	GASKET	
64	908 204 555	2	SCREW	M4X55
65	970 502 050	M	TUBE 37MM; 1 1/2"	
66	394 150 030	1	CHOKE SHAFT	
67	394 150 042	1	CHOKE SHAFT	
68	965 452 380	M	TUBE 116MM; 4 1/2"	
69	965 401 016	1	RUBBER BUSH	
72	965 531 131	1	GASKET	
73	394 174 051	1	COVER PLATE	
74	908 405 205	2	SCREW	M5X20
205	928 405 000	1	DISC	
213	908 005 125	1	SCREW	M5X12
262	394 174 550	1	MUFFLER	KAT
263	908 005 095	4	SCREW	M5X9
264	394 174 340	1	SPARK ARRESTOR SCREEN	KAT
266	038 111 060	1	SQUARE NUT	M5, SW10
230	394 151 051	1	CARBURETOR	WJ-105 A
231	965 402 970	1	GASKET	
232	394 151 160	1	PUMP COVER CPL.	
233	144 150 170	4	SCREW	
234	394 151 120	1	DIAPHRAGM COVER	
235	378 151 220	4	SCREW	
236	957 151 180	1	SET DIAPHRAGM / GASKETS	
237	394 151 150	1	PUMP DIAPHRAGM	
238	394 151 300	1	THROTTLE SHAFT	
239	394 151 310	1	SPRING	
240	394 151 315	1	BUSHING	
241	394 151 315	1	BUSHING	
242	394 151 330	1	PACKING RING	
243	394 151 320	1	THROTTLE SHUTTER	
244	394 151 650	1	SCREW	
245	394 151 660	1	SCREW	
246	394 151 330	1	PACKING RING	
247	394 151 400	1	DISC	
248	108 151 350	1	SHAFT CLIP	
249	394 151 250	1	SHAFT	
250	394 151 260	1	CHOKE SHUTTER	
251	118 151 160	1	LOCKING SPRING	
252	118 151 170	1	LOCKING BALL	
253	394 151 570	1	IDLE STOP SCREW	S
254	394 151 470	1	IDLE ADJUSTMENT SCREW	L
255	021 151 480	1	SPRING	L
256	957 151 190	1	CONTROL PARTS	
257	021 151 180	1	SCREEN	
258	394 151 040	1	COVER DISC	
259	394 151 510	1	LOCKING BALL	
260	001 151 450	1	MAIN ADJUSTM. SCREW	H
261	021 151 480	1	SPRING	L
111	394 112 642	1	STARTER ASSY.	
112	394 112 621	1	HOUSING	
113	394 163 020	1	REWIND SPRING	

114	915 135 100	2	SCREW	3,5X9,5	
115	394 162 040	1	CABLE DRUM		
116	929 314 100	1	SNAP RING		
117	394 164 020	1	STARTER ROPE BLACK	Ø4 X 1000MM	
117	985 000 165	1	STARTER ROPE	Ø4 X 100M	
117	122 164 010	1	STARTER ROPE	Ø4 X 1000MM	
119	001 161 020	1	STARTER GRIP		
120	928 405 000	1	DISC		
121	394 112 141	1	AIR GUIDE PLATE		
122	980 115 214	1	LABEL	MAKITA	
123	908 605 205	4	SCREW	M5X20	
125	031 166 010	2	STARTER RATCHET CPL.		
126	920 208 024	1	HEXAGONAL NUT	M8X1	
127	926 208 001	1	SPRING WASHER	B8 DIN137	
129	970 310 200	M	IGNITION CABLE 360MM; 141/8"		
130	908 605 205	2	SCREW	M5X20	
132	965 401 016	1	RUBBER BUSH		
133	394 146 013	1	CONTACT SPRING		
134	957 604 240	1	SPARK PLUG CAP CPL.		
135	965 603 021	1	SPARK PLUG		
203	915 135 100	1	SCREW	3,5X9,5	
210	394 141 050	1	FLYWHEEL ASSY.		5/05 =>
211	394 143 030	1	IGNITION COIL		5/05 =>
212	965 605 510	1	CABLE WITH PLUG		5/05 =>
136	394 131 042	1	HOOD		
137	908 005 165	3	SCREW	M5X16	
138	394 130 015	1	CYLINDER / PISTON, CPL.	Ø 50 DECO	
139	394 132 111	1	PISTON CPL.	Ø 50	
140	394 132 020	1	PISTON RING	Ø 50	
141	119 132 060	2	SPRING RING	C12X1	
142	001 131 150	1	VALVE		
143	965 531 160	1	GASKET, METAL		
143	965 531 121	1	GASKET, PAPER		
144	908 005 205	4	SCREW	M5X20	
145	394 120 011	1	CRANKSHAFT CPL.		
146	962 210 015	1	NEEDLE CAGE		
147	939 630 370	1	KEY		
148	962 900 052	1	RADIAL RING	Ø15/24X7	
149	962 900 052	1	RADIAL RING	Ø15/24X7	
150	930 916 160	1	SPRING RING		
151	394 245 010	1	STOP RING		
152	394 182 020	1	GUIDE DISC		
153	326 111 731	1	CRANKC., MAG. SIDE	(Incl. Fig. 205,213,266)	
154	326 111 740	1	CRANKC., CLUTCH SIDE		
155	965 531 111	1	GASKET		
156	936 430 160	2	CLAMPING PIN	3X16	
157	908 005 305	5	SCREW	M5X30	
158	960 102 159	1	BALL BEARING (USE GLUE)	6202	
159	960 102 159	1	BALL BEARING (USE GLUE)	6202	
160	394 223 023	1	CLUTCH DRUM ASSY.		
161	908 605 145	3	SCREW	M5X14	
162	001 182 042	1	DISC		
163	010 180 022	1	CLUTCH ASSY.		
164	024 184 021	3	SPRING		
165	394 213 670	1	COVER		
166	965 300 470	1	V-BELT		

168	965 402 870	1	RUBBER PLATE	SET=35 PCS.		
204	962 300 017	1	NEEDLE BUSH			
169	394 341 011	1	HOOD	Ø 350MM; 14"		
170	957 342 011	1	MOUNTING, CPL.			
171	394 342 180	1	SLIDING DISC			
172	394 342 180	1	SLIDING DISC			
173	965 404 900	1	RUBBER RING EXT.			
174	965 404 920	1	RUBBER RING INT.			
175	394 342 160	1	IMPACT PLATE			
176	394 342 211	1	PRESSURE RING CPL.			
177	394 211 740	1	CUTTING DEVICE ASSY.			
178	394 342 190	1	BOLT CPL.			
179	394 211 091	2	SCREW			
180	394 228 101	1	AXLE	Ø 20MM	DPC7321	
180	394 228 130	1	AXLE	Ø 22,2MM		ACC.
180	394 228 111	1	AXLE	Ø 25,4MM; 1"	DPC7321HD	
182	963 209 020	1	PACKING RING	9X2		
183	960 102 176	1	BALL BEARING			
184	960 102 176	1	BALL BEARING			
185	326 228 010	1	PRESSURE DISC	12"-16"		
186	326 228 010	1	PRESSURE DISC	12"-16"		
187	994 280 250	1	HEXAGONAL SCREW	M8X25		
188	994 280 250	1	HEXAGONAL SCREW	M8X25		
189	394 228 021	1	SPACER			
190	394 228 021	1	SPACER			
193	929 240 180	1	SNAP RING			
194	929 240 180	1	SNAP RING			
197	394 213 032	1	TENSIONING SCREW			
198	394 342 120	1	SPRING			
199	921 906 004	1	SQUARE NUT	M6		
200	923 208 004	2	HEXAGONAL NUT	M8		
201	980 114 975	1	SAFETY LABEL	Ø350/25,4MM; Ø14"/1"	DPC7321HD	
201	980 114 974	1	SAFETY LABEL	Ø350/20,0MM; Ø14"/.787"	DPC7321	
206	326 341 300	1	GRIP			
207	908 605 165	2	SCREW	M5X16		
218	394 211 190	1	COVER CPL.			
219	394 211 625	1	COVER			
221	394 221 050	1	BELT PULLEY			
300	957 004 006	1	TOOLS CPL.			ACC.
303	941 719 140	1	UNIVERSAL WRENCH	SW 13/19		ACC.
304	940 827 000	1	ANGLED SCREW DRIVER	T27		ACC.
305	944 340 001	1	SCREW DRIVER			ACC.
350	965 210 212	1	ABRAS. BLADE, STEEL	350/25,4MM; 14"		ACC.
350	965 210 222	1	ABRAS. BLADE, STONE	350/25,4MM; 14"		ACC.
402	964 802 280	1	HOSE CONNECTOR			
403	964 802 290	1	SHUT OFF COCK			
404	394 365 160	1	CLAMP			
405	908 006 105	1	SCREW	M6X10		
406	921 906 004	1	SQUARE NUT	M6		
407	964 802 310	1	CONNECTING PIECE			
408	964 802 321	M	HOSE 405MM; 16"			
409	964 802 330	1	CONNECTING PIECE T	T		
410	964 802 321	M	HOSE 210MM; 8 1/4"			
411	964 802 340	1	CONNECTING PIECE L	L		
412	964 802 351	1	NOZZLE			
413	964 802 351	1	NOZZLE			

414	964 802 361	1	CAP NUT		
415	964 802 361	1	CAP NUT		
416	394 365 630	1	WATER ATTACHMENT KIT		U.S.A.
417	964 802 400	1	COUPLING SLEEVE	STOP 1 1/16"	U.S.A.
420	957 802 600	1	PRESSURISED WATER TANK	10 L	
421	394 365 180	1	CONNECTING REDUCER		
422	964 802 250	1	HOSE CLIP	Ø10-16 MM	
423	964 802 250	1	HOSE CLIP	Ø10-16 MM	
424	957 963 200	1	GASKET SET		