**CONTENTS:**

- 1) **Cylinder, Piston, Crankshaft, Crankcase**
- 2) **Tank**
- 3) **Tubular Handle, Grip**
- 4) **Fan Housing, Starter, Ignition**
- 5) **Clutch, Gear Housing**
- 6) **Hood, Air Filter, Intake Connecting Pieces, Muffler**
- 7) **Carburetor**
- 8) **Hood**
- 9) **Accessories**

1) Cylinder, Piston, Crankshaft, Crankcase

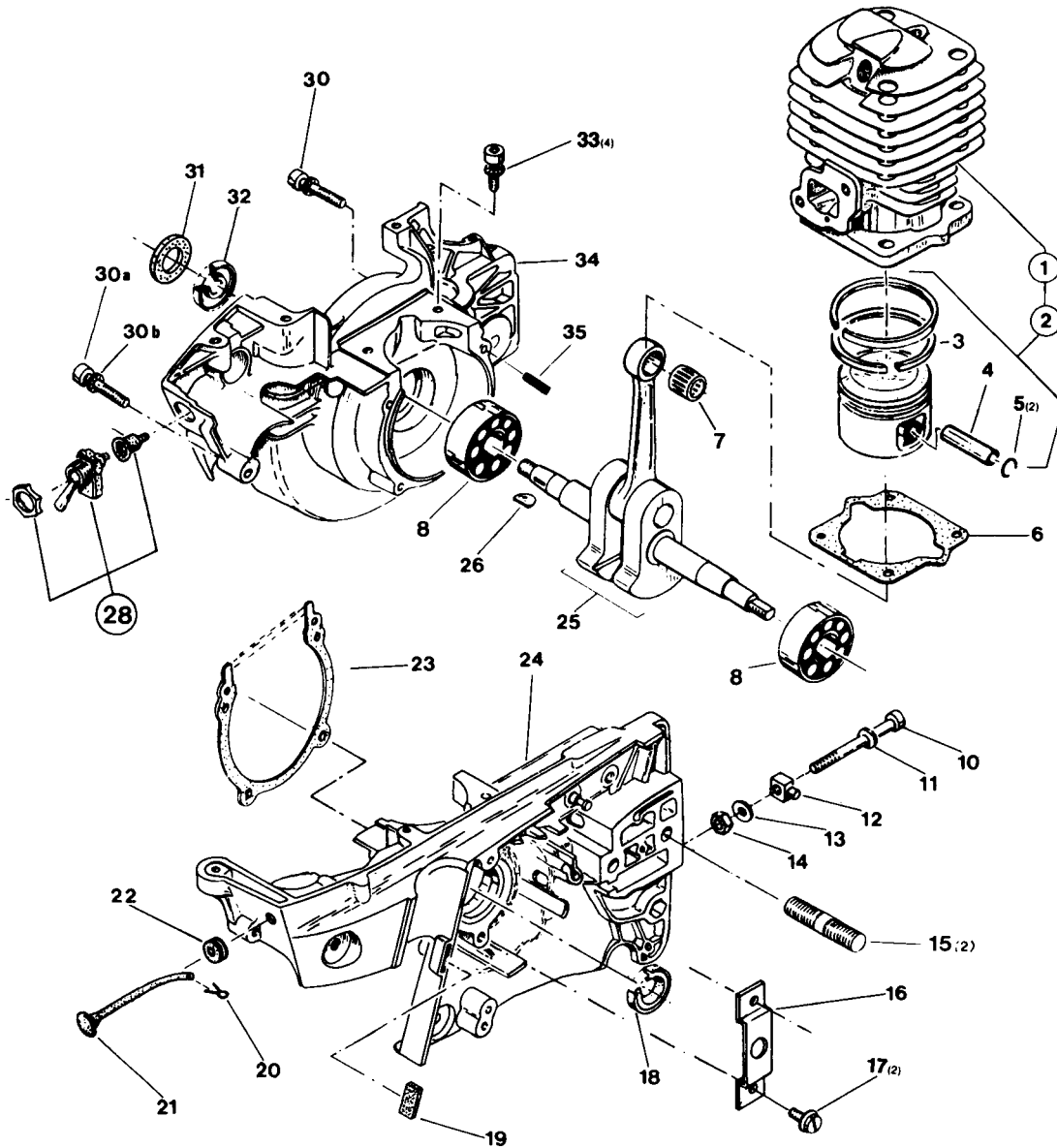


Fig.	Part No.	Qty. Used	Description	Fig.	Part No.	Qty. Used	Description
1	123-130-000	1	CYLINDER & PISTON, CPL.	19	965-402-370	1	RUBBER BUFFER
2	122-132-100	1	PISTON	20	934-320-100	1	COTTER PIN
3	123-132-020	2	PISTON RING	21	122-150-730	1	CHOKE SHAFT
4	122-132-170	1	PISTON PIN	22	965-401-011	1	RUBBER BUSH
5	119-132-060	2	SPRING RING C12X1	23	965-518-013	1	GASKEK
6	965-521-022	1	GASKET	24	133-111-600	1	CRANKCASE, CLUTCH SIDE
7	962-210-015	1	NEEDLE CAGE, 12/16X13	25	133-120-301	1	CRANKSHAFT
8	960-102-173	2	BALL BEARING	26	939-630-370	1	KEY
10	965-551-051	1	FILLISTER HEAD SCREW M6X70	28	957-605-112	1	SHORT-CIRCUIT SWITCH CPL.
11	926-206-000	1	SPRING WASHER 6	30	908-005-305	4	FILLISTER HEAD SCREW
12	123-213-010	1	SQUARE NUT WITH PIVOT	30a	990-005-305	1	FILLISTER SCREW 5X30
13	924-306-400	1	DISK	30b	928-105-000	1	SAFETY WASHER 5
14	922-606-000	1	SAFETY NUT	31	900-003-050	1	FELT RING
15	905-810-354	2	GUDGEON	32	962-900-054	1	RADIAL RING
16	965-551-191	1	FIXING PLATE	33	991-106-205	4	FILLISTER HEAD SCREW 6X20
17	990-005-124	2	FILLISTER HEAD SCREW 5X12	34	133-111-610	1	CRANKCASE, MAG. SIDE
18	962-900-051	1	RADIAL RING	35	936-430-160	1	SPIRAL PIN

2) Tank

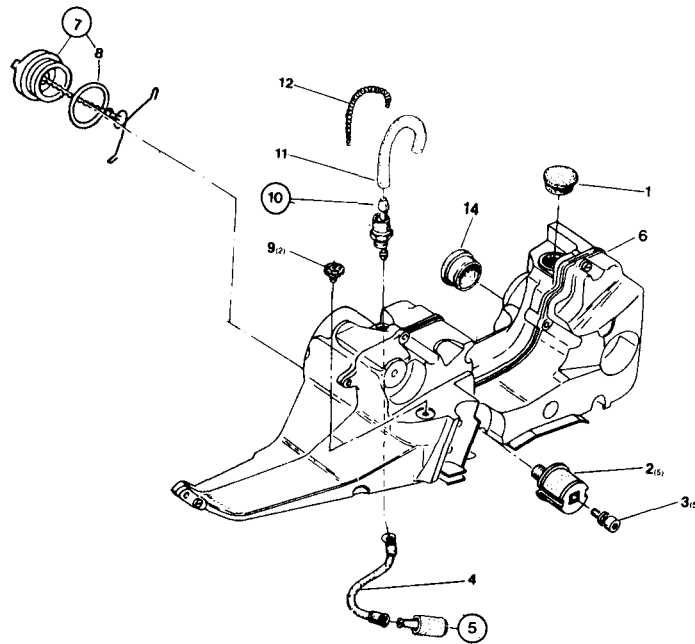


Fig.	Part No.	Qty. Used	Description
1	965-451-710	1	STOPPER
2	965-403-131	5	RUBBER BUFFER
3	991-106-125	5	FILLISTER HEAD SCREW
4	965-402-402	1	SUCTION LINE
5	963-601-260	1	SUCTION HEAD
6	123-114-600	1	TANK CPL

Fig..	Part No.	Qty. Used	Description
7	965-450-301	1	SCREW PLUG CPL.
8	963-232-045	1	PACKING RING
9	965-402-360	2	RUBBER BUFFER
10	965-451-191	1	AIR VALUE CPL.
11	965-452-485	1	FUEL LINE, USES 6.5"
12	122-114-040	1	PRESSURE SPRING
14	965-451-560	1	STOPPER

3) Tubular Handle, Grip

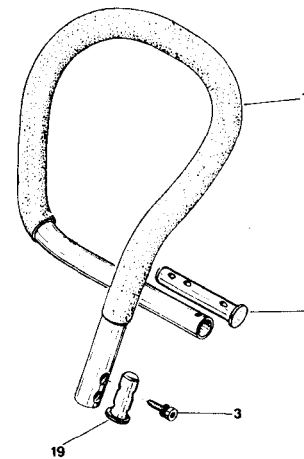
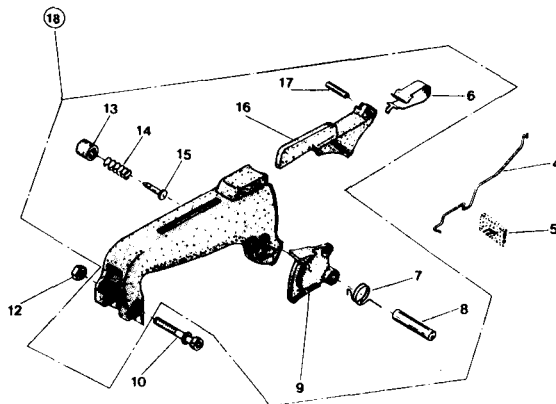


Fig.	Part No.	Qty. Used	Description
1	123-310-010	1	TUBULAR HANDLE
2	144-310-072	1	STRENGTHENING PIECE
3	991-106-205	4	FILLISTER HEAD SCREW 6X20
4	122-117-054	1	THROTTLE LINKAGE
5	965-402-750	1	GASKET
6	119-117-051	1	SPRING
7	119-117-041	1	SPRING
8	935-950-400	1	CYLINDRICAL PIN 5M 6X40
9	119-117-021	1	THROTTLE LEVER

Fig..	Part No.	Qty. Used	Description
10	991-105-305	2	FILLISTER SCREW 5X30
12	920-205-000	2	HEXAGONAL NUT M5
13	965-451-750	1	BUTTON FOR STOP PIN
14	965-551-160	1	PRESSURE SPRING
15	965-551-150	1	STOP PIN
16	119-117-031	1	CATCH LEVER
17	935-940-240	1	CYLINDRICAL PIN 6X24
18	119-117-300	1	GRIP ASSY
19	122-310-051	1	STRENGTHENING PIECE

4) Fan Housing, Starter, Ignition

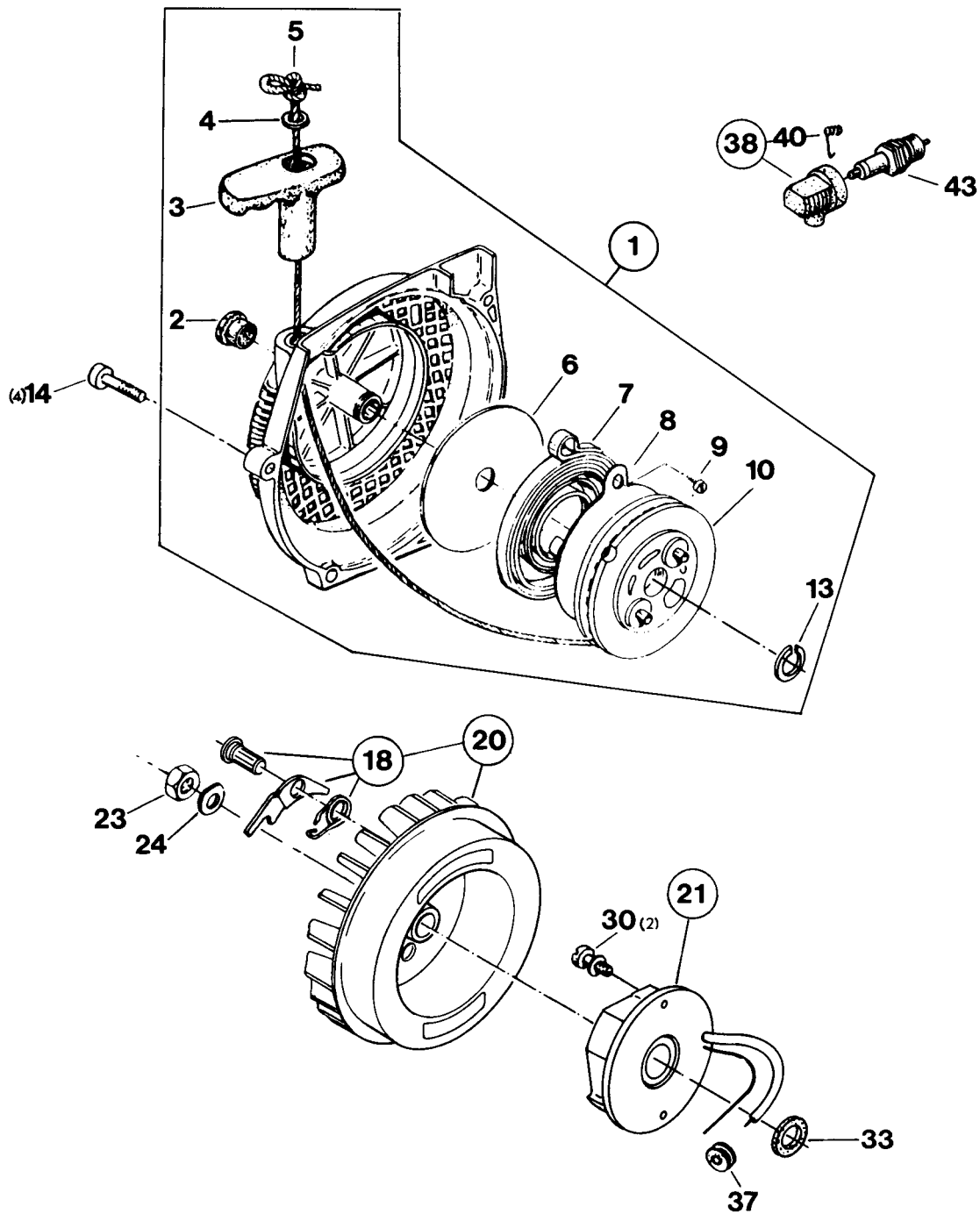


Fig.	Part No.	Qty. Used	Description	Fig.	Part No.	Qty. Used	Description
1	031-112-600	1	FAN HOUSING ASSY	18	031-166-010	2	STARTER RATCHET CPL.
2	965-451-490	1	STOPPER	20	031-141-020	1	FLYWHEEL CPL.
3	965-402-470	1	STARTER GRIP	21	031-140-020	1	IGNITION ASSEMBLY, (INCL. FIG. 20)
4	928-405-000	1	SPRING WASHER	23	920-308-024	1	HEXAGONAL NUT
5	122-164-010	1	STARTER ROPE 5/32"X39"	24	928-308-001	1	SPRING WASHER
6	900-004-363	1	SPACER 15X75.5X0.5	30	991-104-159	2	FILLISTER HEAD SCREW
7	123-163-013	1	REWIND SPRING	33	900-003-050	1	FELT WASHER 17X27X5
8	123-163-020	1	SPRING COVER	37	965-401-012	1	RUBBER BUSHING
9	907-204-102	1	THREAD FORMING SCREW	38	957-604-240	1	SPARK PLUG CAP CPL.
10	123-162-031	1	CABLE DRUM	40	965-604-230	1	CONTACT SPRING
13	929-314-100	1	SNAP RING, 14X1	43	965-603-014	1	SPARK PLUG
14	991-105-257	4	FILLISTER SCREW 5X25				

5) Clutch, Gear Housing

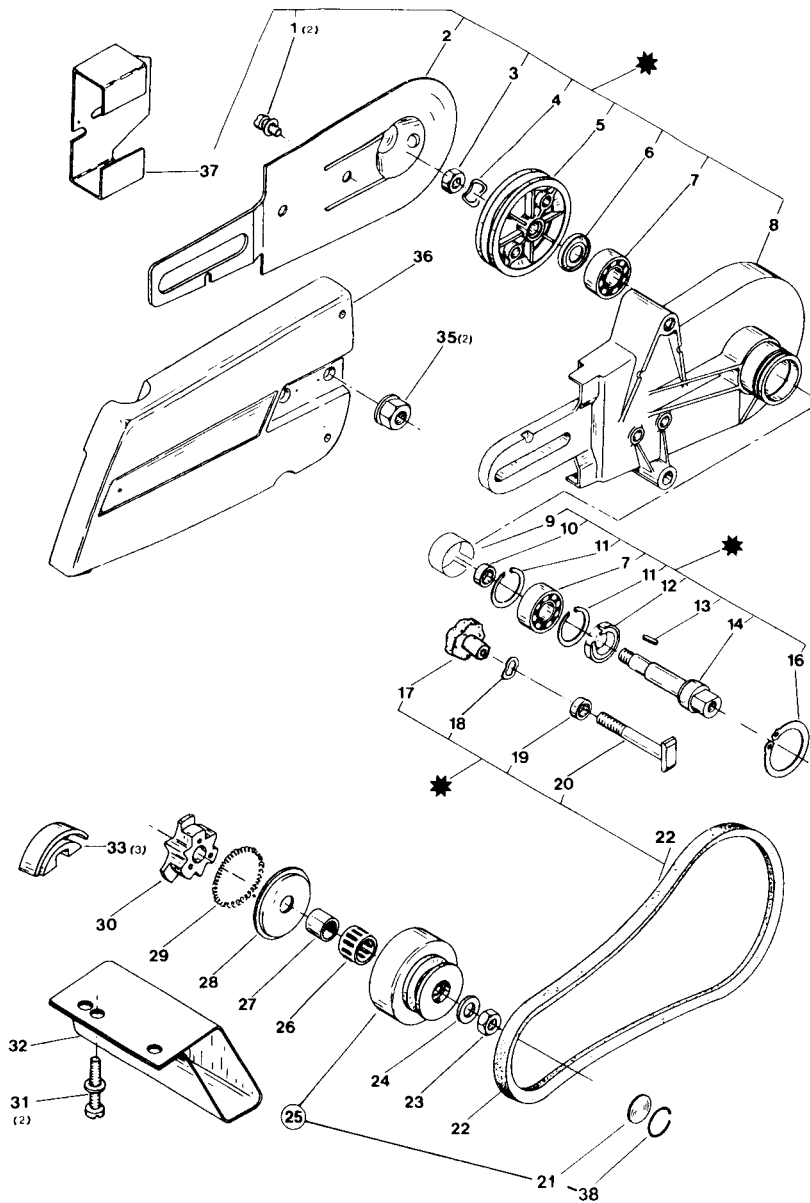


Fig.	Part No.	Qty. Used	Description	Fig..	Part No.	Qty. Used	Description
1	991-106-205	2	FILLISTER HEAD SCREW 6X20	20	910-308-601	1	ADJUSTING SCREW
2	398-410-600	1	GUARD PLATE	21	965-551-230	1	COVER DISK(WASHER)
3	920-210-000	1	HEXAGONAL NUT M10	22	965-300-450	1	V-BELT SMALL
4	926-210-001	1	SPRING WASHER 10	23	920-310-043	1	HEXAGONAL NUT LEFT
5	397-221-010	1	V-BELT PULLEY	24	924-500-044	1	WASHER 10.5X21X2
6	963-815-320	1	PACKING RING	25	957-223-309	1	CLUTCH DRUM ASSY (INCL. 5, 21)
7	960-102-155	2	BALL BEARING	26	962-210-027	1	NEEDLE CAGE
8	398-211-600	1	GEAR HOUSING	27	962-200-002	1	INNER RING
9	398-211-090	1	BUSHING	28	122-182-030	1	GUIDE DISK
10	900-005-009	1	DISTANCE RING	29	122-184-011	1	CLUTCH SPRING
11	929-235-150	1	SNAP RING 35X1.5	30	122-182-011	1	CLUTCH HUB
12	962-900-036	1	RADIAL RING 25/35X6.5	31	991-106-357	2	FILLISTER HEAD SCREW 6X35
13	939-144-140	1	KEY 4X4X14	32	397-310-101	1	FOOT
14	398-228-013	1	SHAFT	33	123-181-010	1	CLUTCH SHOE(SET OF 3 SHOE)
16	929-145-175	1	SNAP RING 45X1.75	35	923-210-002	2	HEXAGONAL NUT W. SHOULDER
17	985-000-560	1	GRIP M8	36	398-213-600	1	SPROCKET GUARD
18	926-208-001	1	SPRING WASHER 8	37	398-211-610	1	HAND GUARD
19	900-005-072	1	DISTANCE RING	38	929-228-120	1	SNAP RING

6) Hood, Air Filter, Intake Connecting Pieces, Muffler

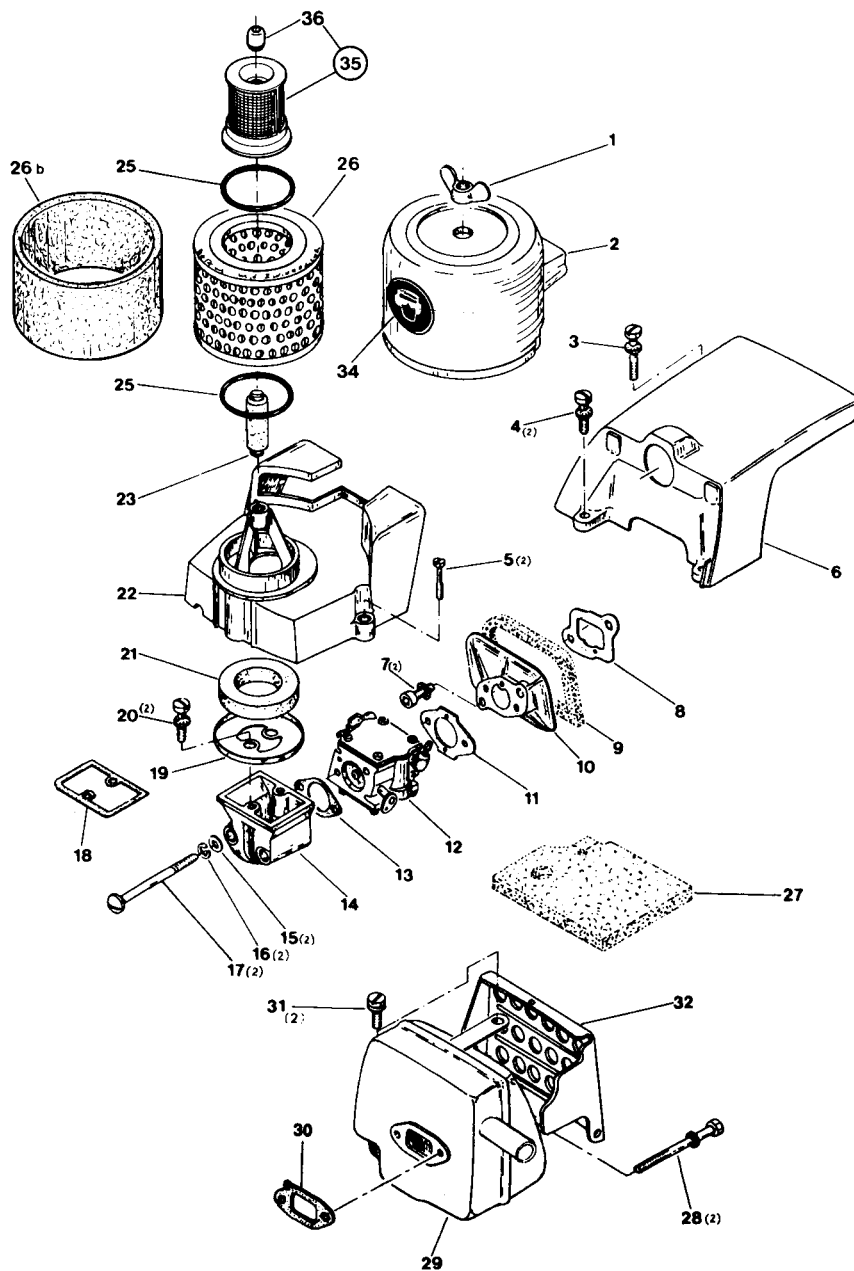


Fig.	Part No.	Qty. Used	Description	Fig.	Part No.	Qty. Used	Description
1	921-708-000	1	WING NUT	19	144-171-040	1	CONNECTING PLATE
2	122-118-271	1	FILTER COVER	20	990-005-124	2	FILLISTER HEAD SCREW 5X12
3	990-005-405	1	FILLISTER HEAD SCREW 5X40	21	965-402-960	1	GASKET
4	990-005-165	2	FILLISTER HEAD SCREW	22	123-118-051	1	HOOD
5	908-305-255	2	TORX SCREW T-27	23	905-808-555	1	GODGEON
6	123-118-010	1	HOOD	25	963-257-070	2	PACKING RING
7	991-105-257	2	FILLISTER SCREW 5X25	26	122-173-140A	1	AIR FILTER
8	965-518-070	1	GASKET	26b	001-173-000	1	PREFILTER
9	965-402-780	1	GASKET	27	965-402-851	1	COVER FORM PLATE 6X65
10	122-131-050	1	INTERMEDIATE FLANGE	28	994-006-656	2	FILLISTER SCREW 6X65
11	965-518-030	1	GASKET	29	123-174-158	1	MUFFLER
12	122-151-620	1	CARBURETOR (HS-239B)	30	965-518-051	1	GASKET
13	965-518-090	1	GASKET	31	994-005-127	2	FILLISTER HEAD SCREW M5X12
14	144-171-030	1	CONNECTING SLEEVE	32	398-174-600	1	HEAT SHIELD
15	924-105-300	2	WASHER 5.3	34	980-113-630	1	LABEL
16	926-105-001	2	SPRING RING 5	35	001-173-020	1	INNER FILTER CPL.
17	905-105-804	2	FILLISTER HEAD SCREW 5X80	36	965-401-025	1	RUBBER BUSH
18	965-516-090	1	GASKET				

7) Carburetor Parts

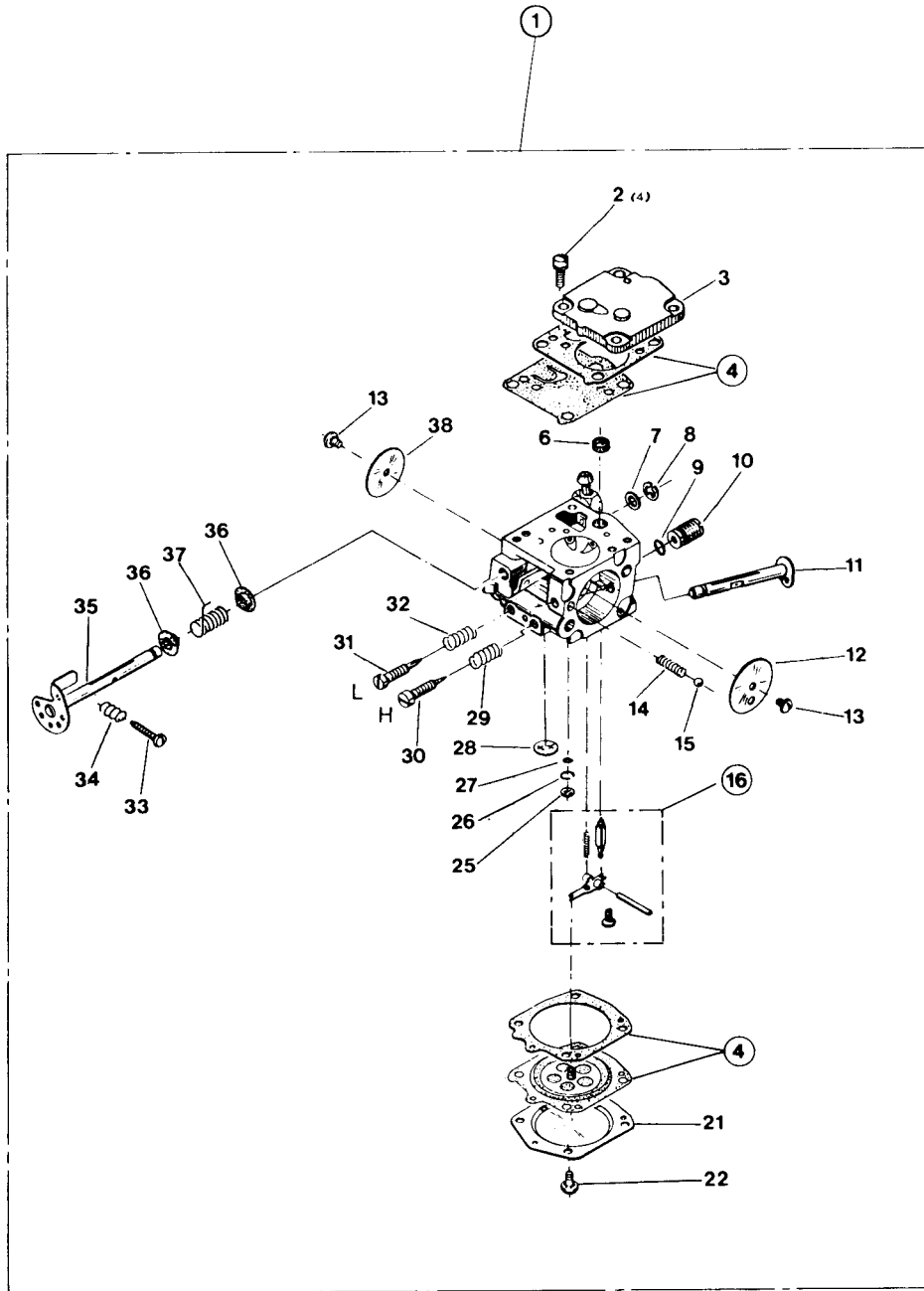


Fig.	Part No.	Qty. Used	Description	Fig..	Part No.	Qty. Used	Description
1	122-151-620	1	CARBURETOR (HS-239B)	21	122-151-121	1	DIAPHRAGM COVER
2	113-150-170	4	SCREW WITH SPRING RING	22	107-150-330	4	SCREW W/LOCK WASHER
3	113-150-160	1	PUMP COVER	25	113-150-030	1	COVER DISK
4	957-150-100	1	SET OF DIAPHRAGM & GASKETS	26	107-150-240	1	SPRING RING
6	020-150-180	1	SCREEN	27	107-150-230	1	SCREEN FOR MAIN NOZZLE
7	122-151-400	1	DISK	28	113-150-040	1	COVER DISK
8	100-150-350	1	SAFETY WASHER	29	101-150-480	1	SPRING(H)
9	115-150-560	1	SEAL WASHER	30	122-151-510	1	MAIN ADJUSTMENT SCREW(H)
10	122-151-551	1	GOVERNOR VALVE	31	122-151-470	1	IDLE ADJUSTMENT SCREW(L)
11	113-150-251	1	CHOKE SHAFT	32	144-151-480	1	SPRING(L)
12	113-150-261	1	CHOKE SHUTTER	33	113-150-240	1	IDLE STOP SCREW
13	113-150-370	2	SCREW W. TOOTH LOCK WASHER	34	113-150-230	1	SPRING
14	101-150-080	1	LOCKING SPRING	35	122-151-302	1	THROTTLE SHAFT
15	113-150-380	1	LOCKING BALL	36	144-151-315	2	BUSHING
16	957-150-010	1	SET OF CONTROL PARTS	37	144-151-310	1	SPRING
				38	144-151-320	1	THROTTLE SHUTTER

8) Hood

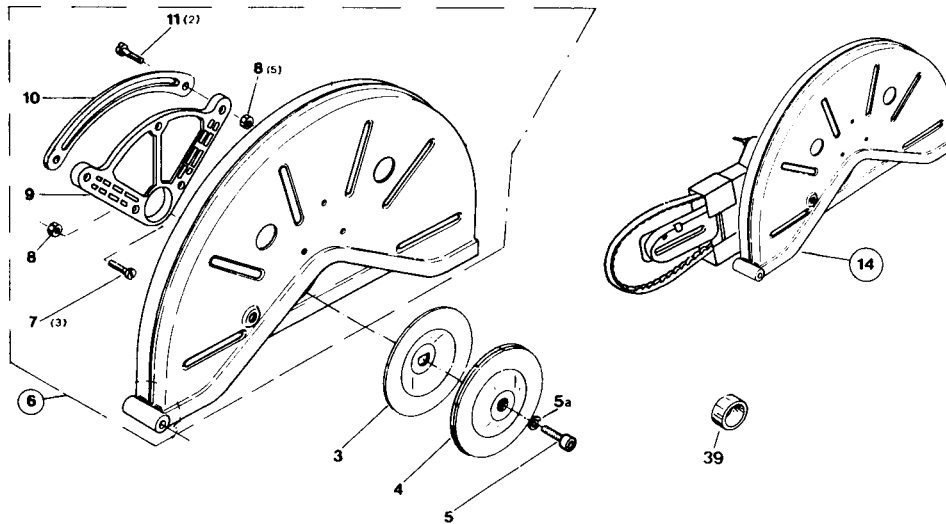


Fig.	Part No.	Qty. Used	Description	Fig..	Part No.	Qty. Used	Description
3	395-228-052	1	INNER FLANGE	8	920-406-000	5	SAFETY HEXAGONAL NUT M6
4	398-228-042	1	OUTER FLANGE	9	398-341-600	1	SWIVEL SEGMENT
5	900-910-204	1	HEXAGONAL SCREW LEFT	10	395-341-040	1	CLAMP
5a	928-210-000	1	SPRING RING	11	901-506-252	2	FILLISTER HEAD SCREW
6	398-341-620	1	PROTECTION HOOD ASSY.	14	398-000-600	1	CUTTING DEVICE ASSEMBLY
7	901-506-202	3	FILLISTER HEAD SCREW	39	392-228-040	1	ADAPTOR BUSHING 20

9) Accessories

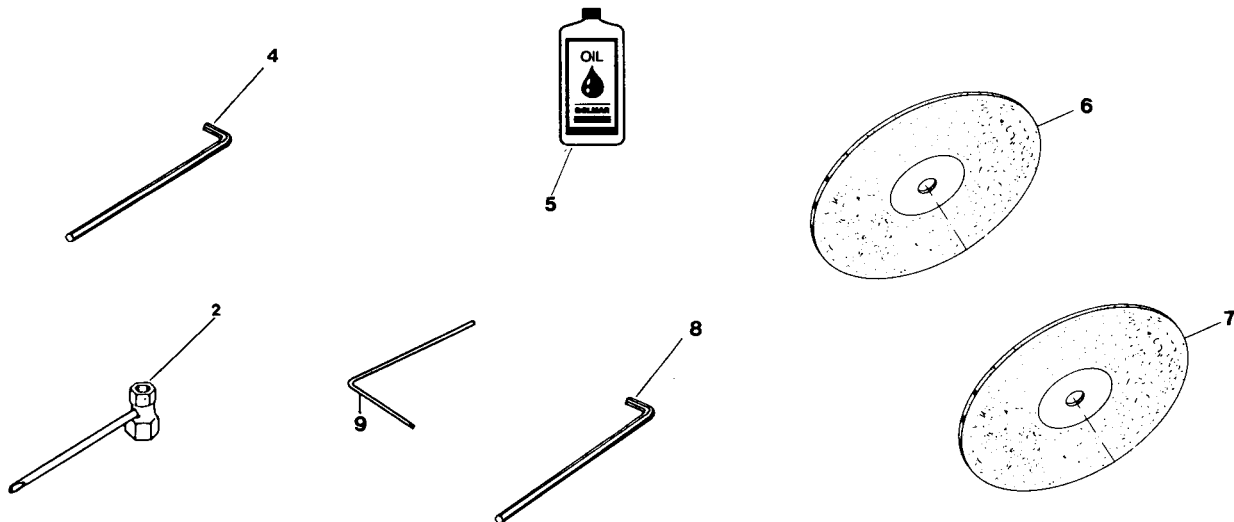


Fig.	Part No.	Qty. Used	Description	Fig..	Part No.	Qty. Used	Description
ACCESSORIES				6	965-210-611	1	CUTTING DISK FOR STONE
2	941-717-191	1	UNIVERSAL WRENCH	7	965-210-621	1	CUTTING DISK FOR STEEL
4	944-500-630	1	ALLEN KEY 4MM	8	944-500-790	1	ALLEN KEY 8MM
5	181115-A	1	ENGINE OIL	9	940-827-000	1	ANGLE SCREWDRIVER