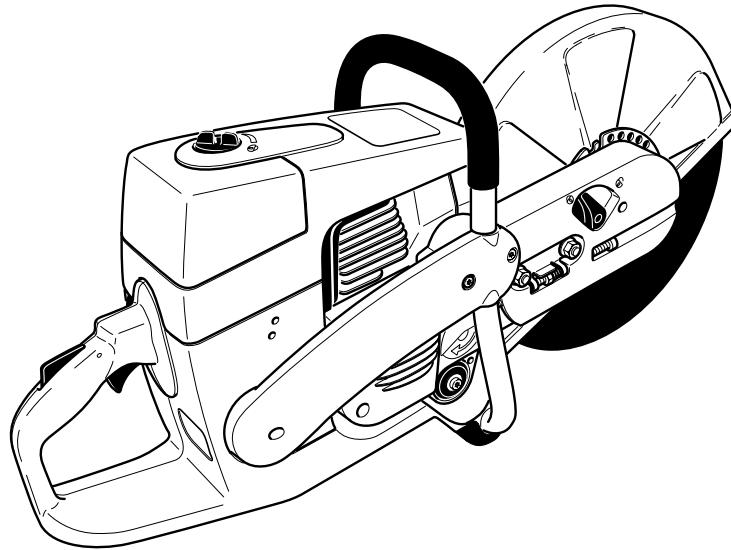




**12" Power Cutter
14" Power Cutter**

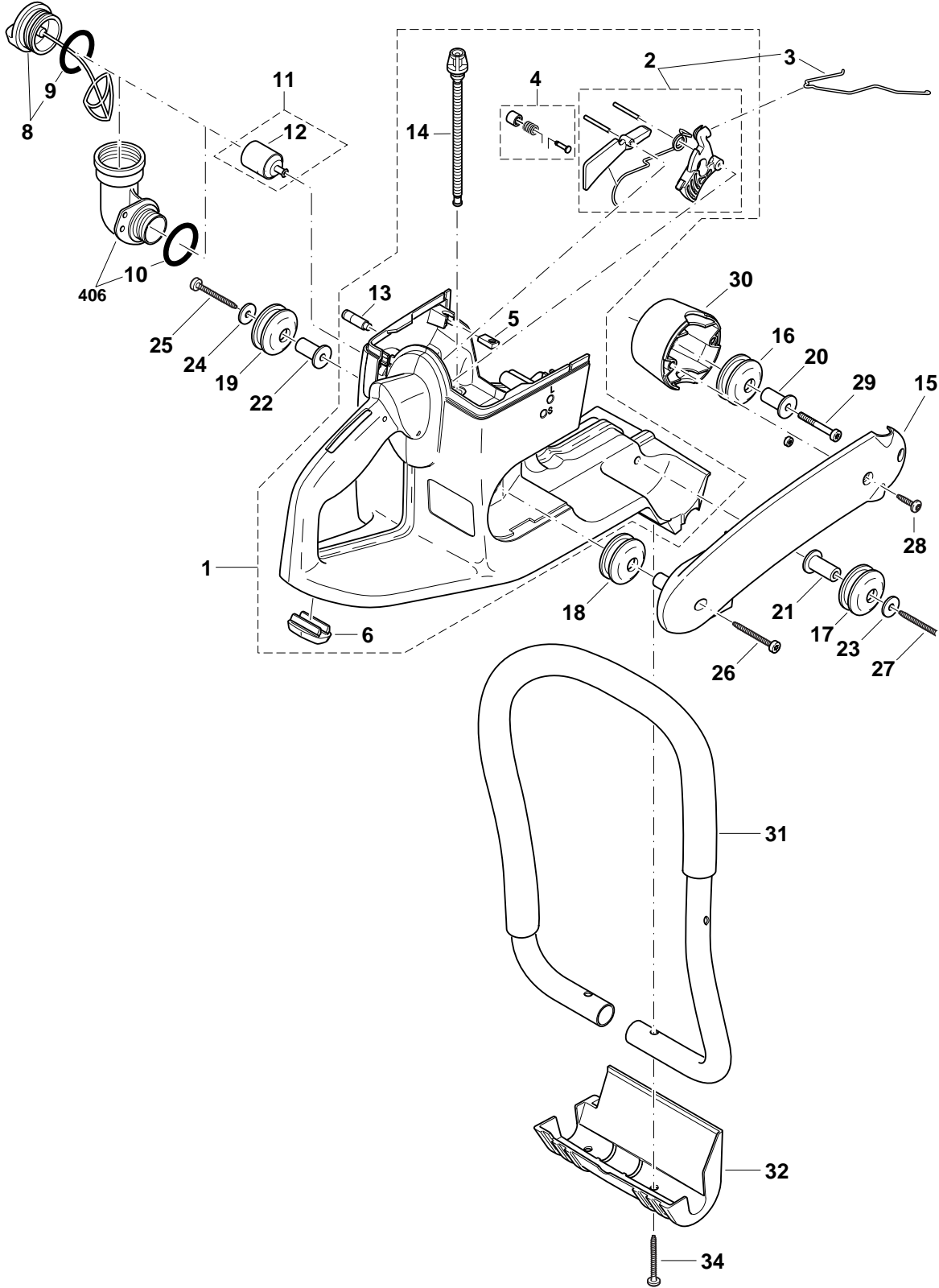
**MODEL DPC6400
MODEL DPC6401**



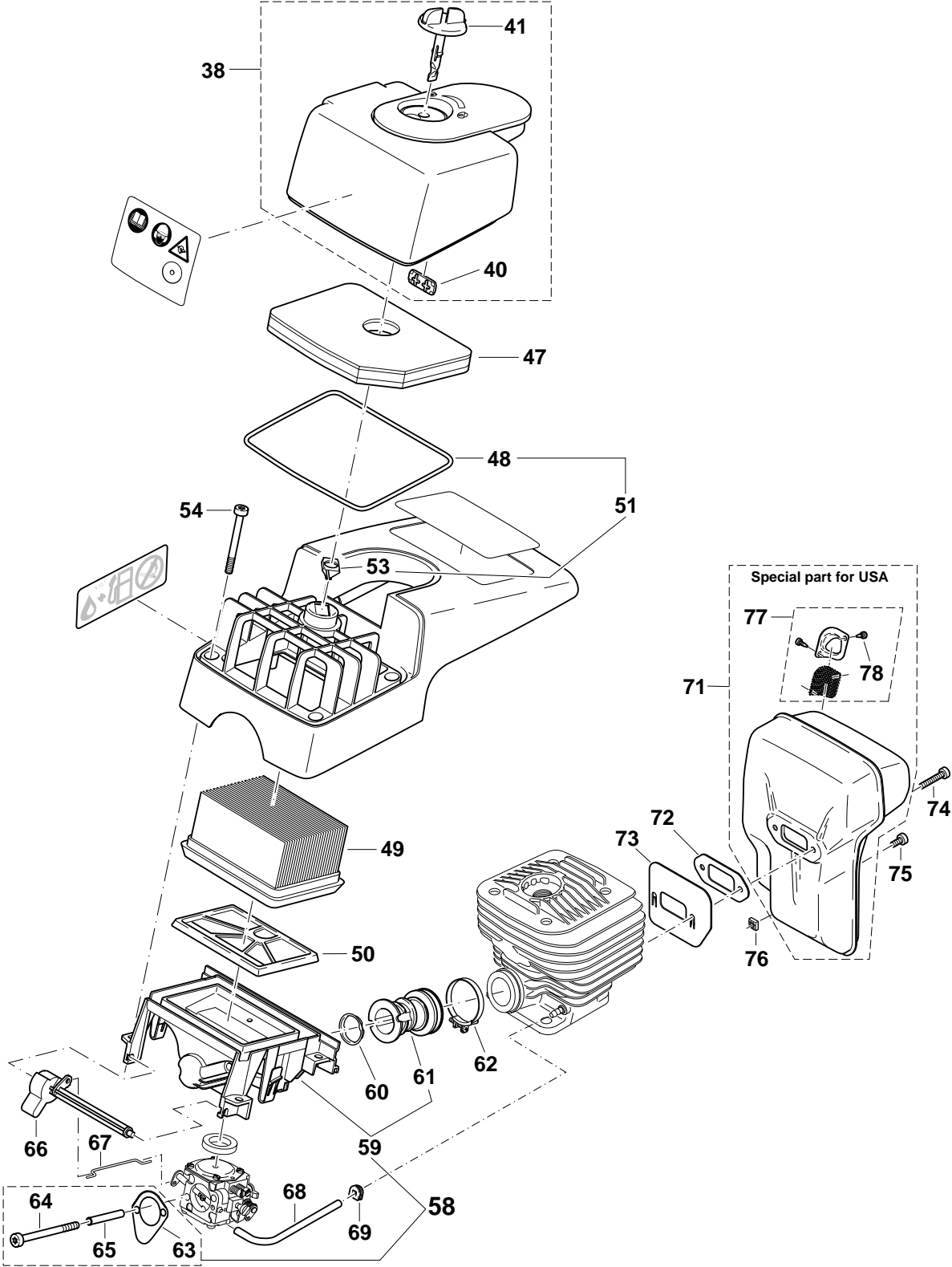
CONTENTS:

- 1) Tank and Handle Grips**
- 2) Hood, Air Filter, and Muffler**
- 3) Carburetor**
- 4) Starter, and Ignition**
- 5) Cylinder, Crankshaft, and Clutch**
- 6) Cutting Device, and Protection Hood**
- 7) Accessories**

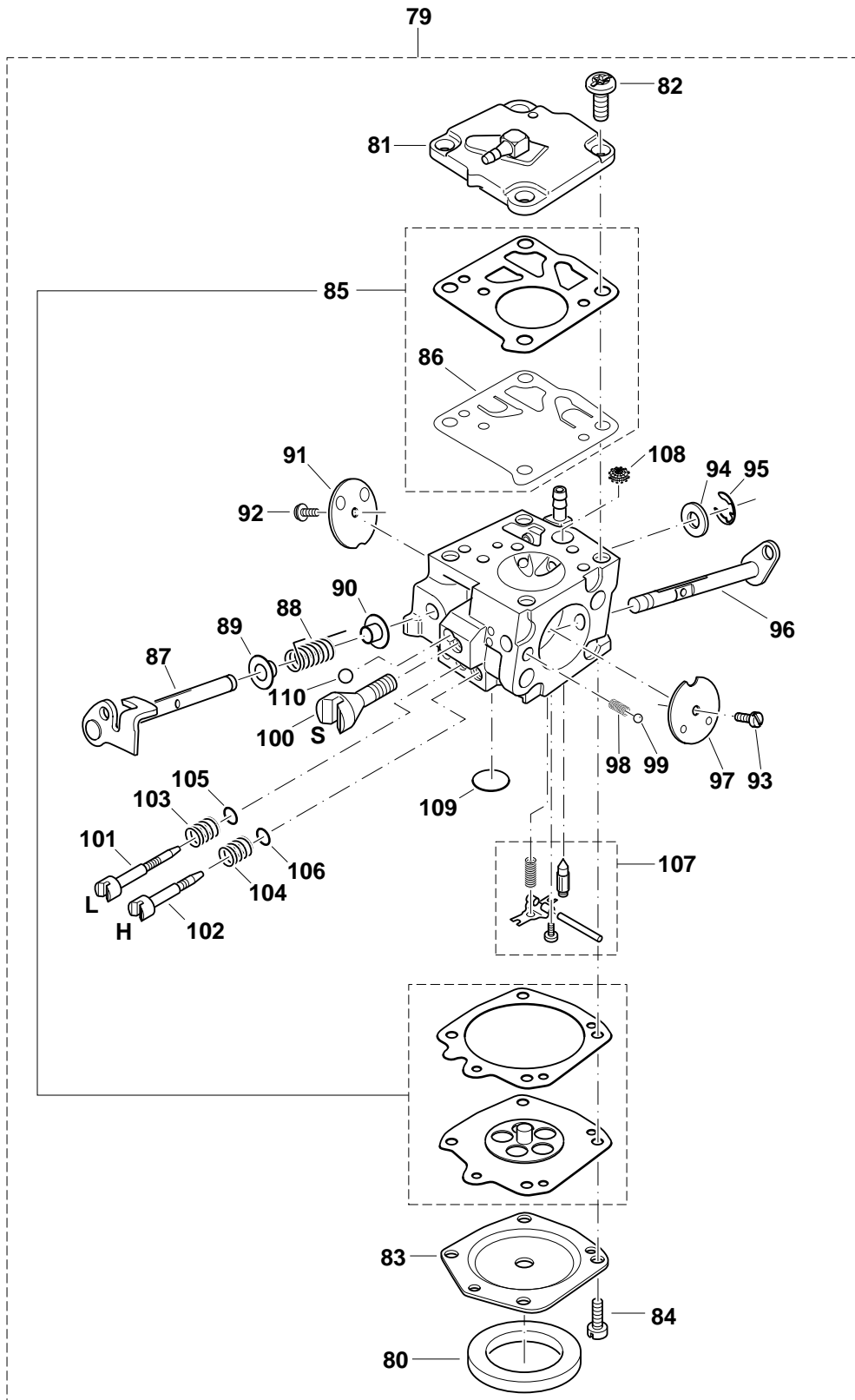
1) Tank and Handle Grips



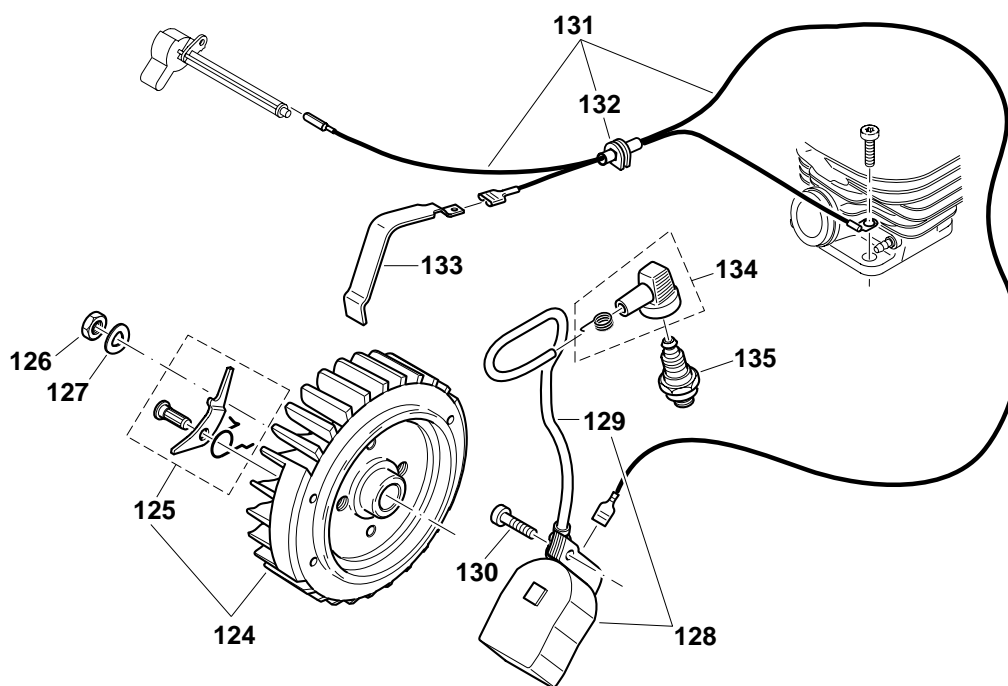
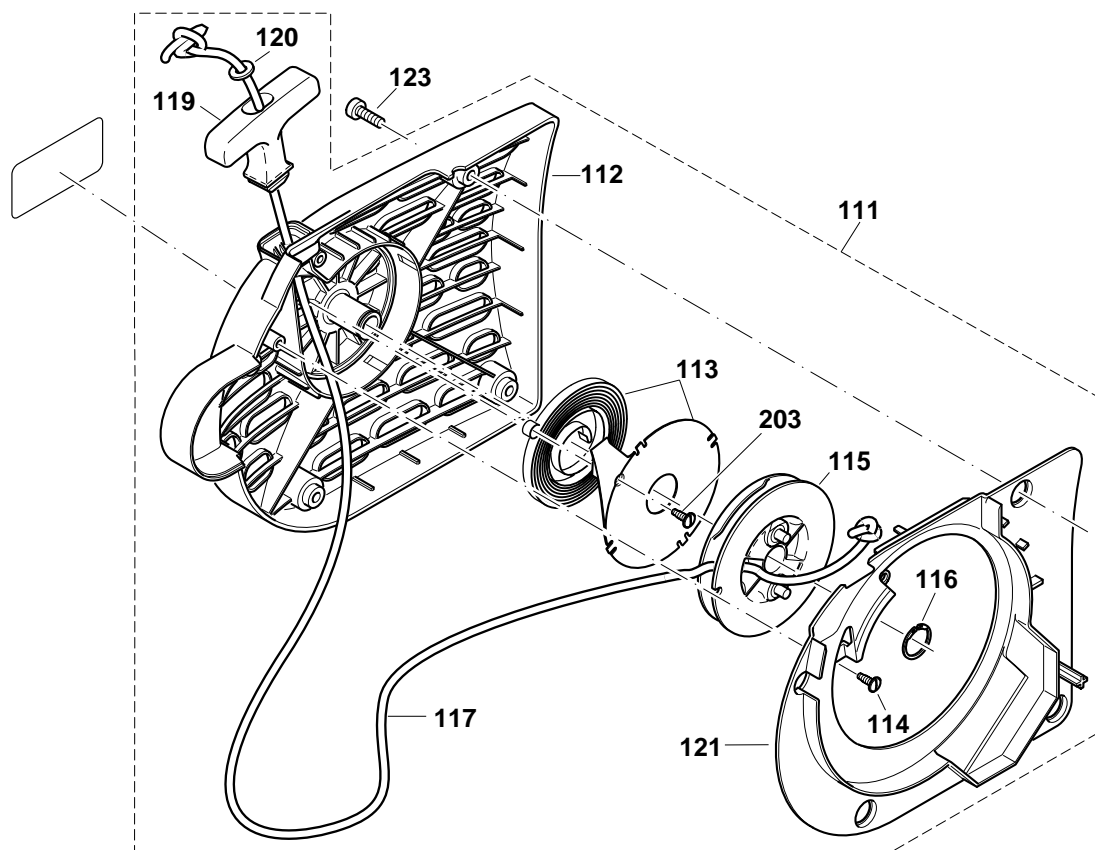
2) Hood, Air Filter, and Muffler



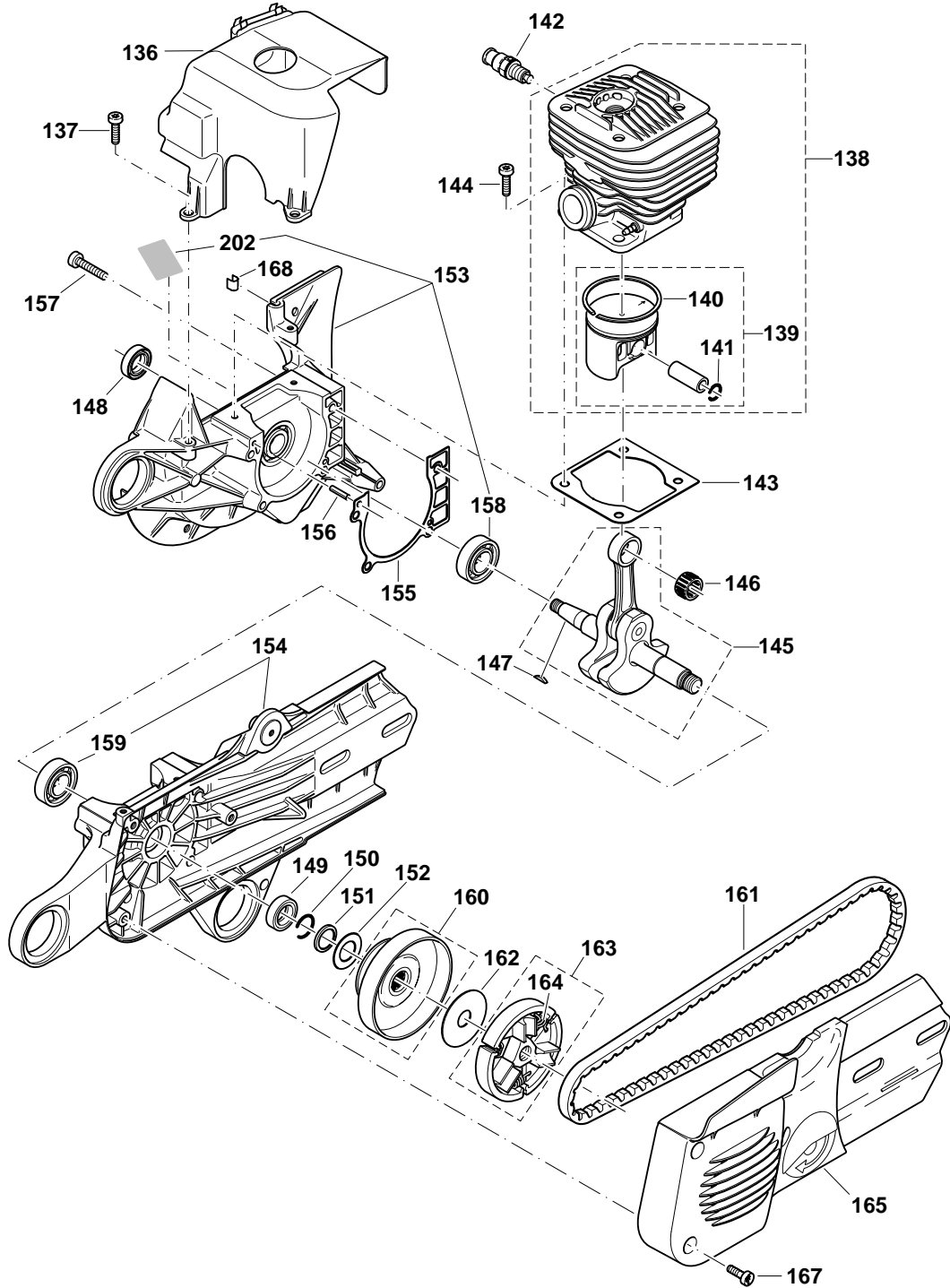
3) Carburetor



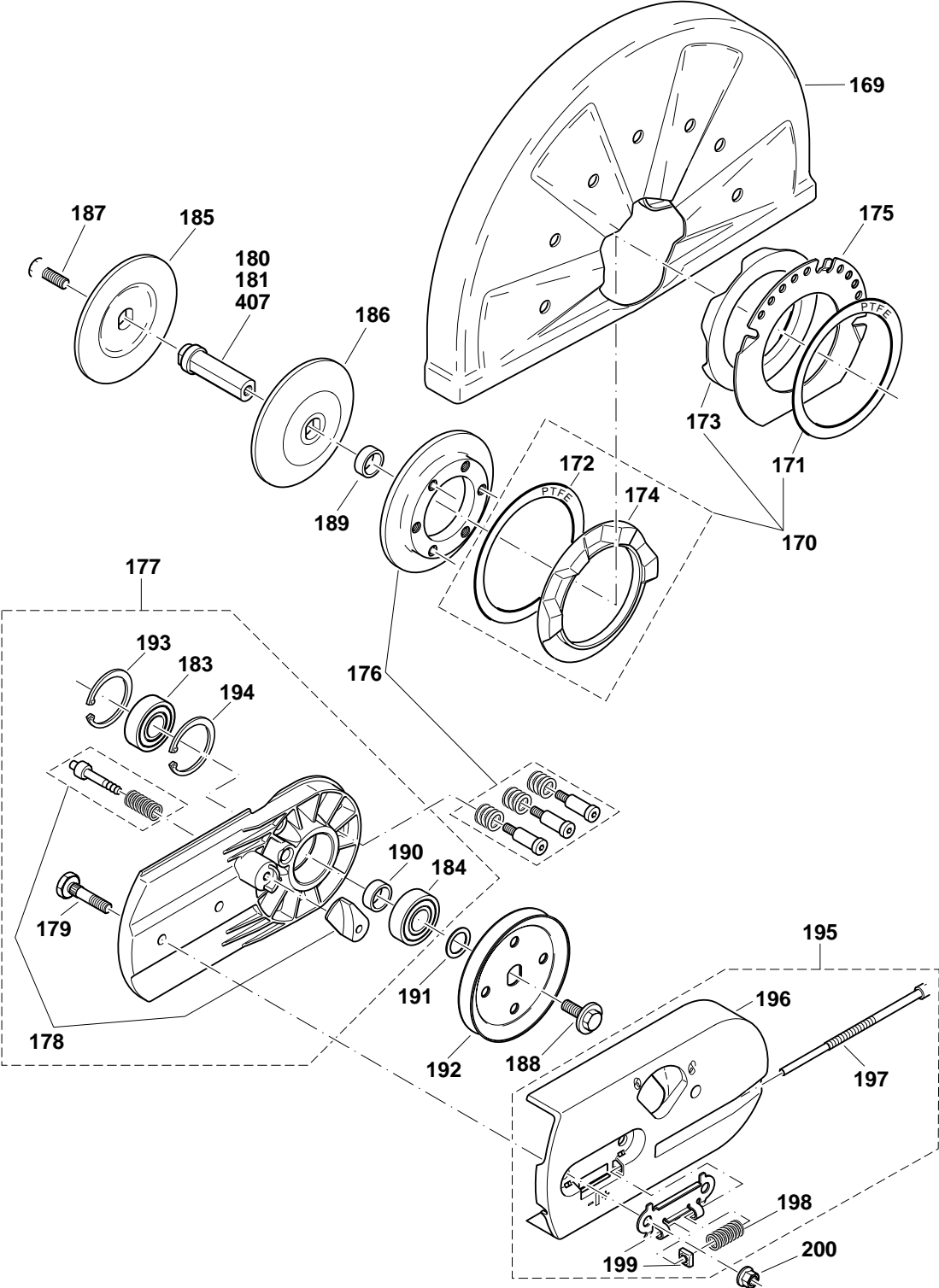
4) Starter, and Ignition



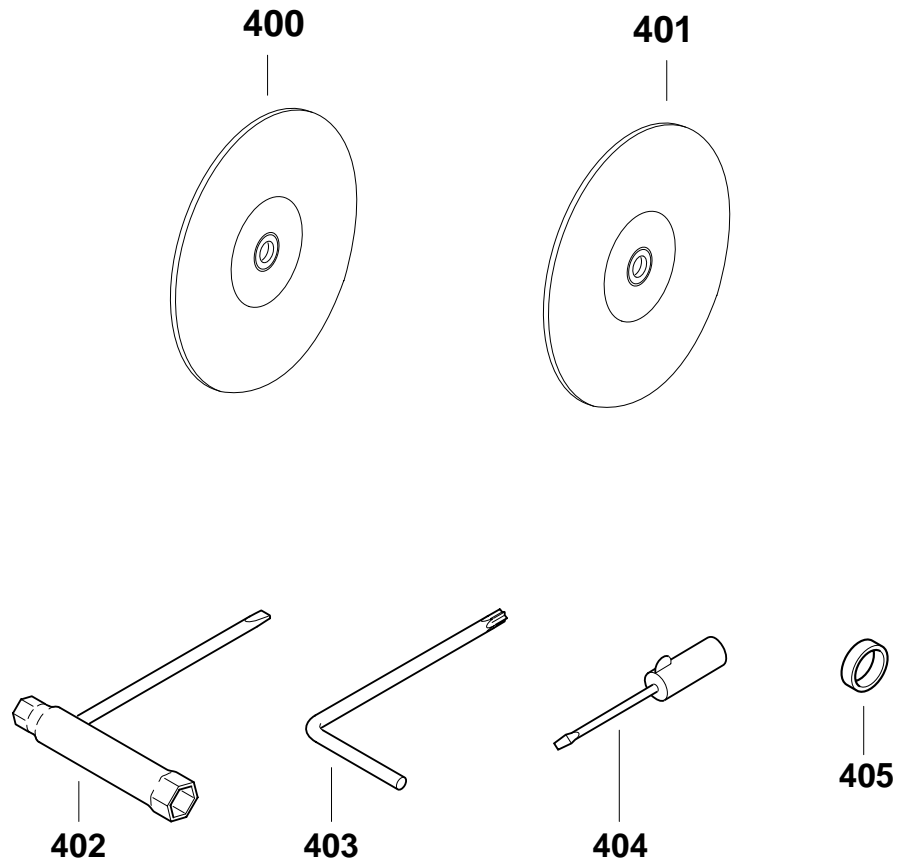
5) Cylinder, Crankshaft, and Clutch



6) Cutting Device, and Protection Hood



7) Accessories



MODEL DPC6400/6401 Parts List

1	394-114-601	1	TANK Cpl.
2	957-117-020	1	THROTTLE MECHANISM, Cpl.
3	394-117-011	1	THROTTLE LINKAGE
4	957-117-030	1	HALF-THROTTLE LOCK, Cpl.
5	394-114-100	4	SCREW PLUG
6	394-114-070	1	RUBBER FOOT
8	010-114-091	1	TANK CAP Cpl, fuel
9	963-230-031	1	O-RING
10	963-230-031	1	O-RING
11	963-601-130	1	SUCTION HEAD
12	963-601-240	1	FELT
13	010-175-050	1	AIR VALVE Cpl.
14	965-404-911	1	FUEL LINE
15	394-114-640	1	BRACKET
16	965-403-532	1	RUBBER BUFFER
17	965-403-532	1	RUBBER BUFFER
18	965-403-532	1	RUBBER BUFFER
19	965-403-532	1	RUBBER BUFFER
20	394-114-031	1	AXLE
21	394-114-031	1	AXLE
22	394-114-031	1	AXLE
23	924-405-500	1	WASHER
24	924-405-500	1	WASHER
25	913-455-454	1	SCREW 5,5x45
26	913-455-454	1	SCREW 5,5x45
27	913-455-454	1	SCREW 5,5x45
28	913-455-204	2	SCREW 5,5x20
29	908-305-405	1	SCREW M5x20x40
30	394-114-050	1	POT
31	394-310-100	1	WRAP AROUND HANDLE
32	394-114-060	1	FOOT
34	913-455-454	2	SCREW 5,5x45
38	326-118-070	1	FILTER COVER ASSY.
40	394-118-060	1	INSERT
41	394-118-010	1	BAYONET FIXING
47	326-173-030	1	PREFILTER
48	326-118-020	1	PACKING RING
49	394-173-010	1	AIR FILTER
50	394-173-020	1	INNER FILTER
51	394-118-041	1	HOOD Cpl.
53	394-118-050	1	BAYONET LOCK
54	908-505-555	4	SCREW M5x55
58	957-171-394	1	MODIFICATION SET, connect sleeve
59	394-171-050	1	CONNECTING SLEEVE Cpl.
60	024-131-031	1	INSERT, for suction hose
61	394-131-100	1	SUCTION LINE
62	965-603-050	1	HOSE CLIP
63	965-518-120	1	GASKET
64	908-204-555	2	SCREW M4x55

65	970-502-050	1	TUBE, 1-1/2" (37mm)
66	394-150-030	1	CHOKE SHAFT
67	394-150-042	1	CHOKE SHAFT
68	965-452-380	1	TUBE, 4-1/2" (116mm)
69	965-401-016	1	RUBBER BUSH
71	394-174-151	1	MUFFLER
72	965-531-130	1	GASKET
73	394-174-050	1	COVER PLATE
74	908-405-205	2	SCREW M5x20
75	908-005-095	1	SCREW M5x9
76	921-905-004	1	SQUARE NUT M5
77	394-174-140	1	SPARK ARRESTOR SCREEN
78	915-035-100	2	SCREW
79	394-150-050	1	CARBURETOR W/GASKET
80	965-402-970	1	GASKET
81	394-150-160	1	PUMP COVER Cpl.
82	394-150-170	4	SCREW
83	394-150-120	1	DIAPHRAGM COVER
84	001-150-520	4	SCREW
85	957-150-100	1	SET DIAPHRAGM/GASKETS
86	113-150-150	1	PUMP DIAPHRAGM, rubber
87	394-150-300	1	THROTTLE SHAFT
88	394-150-310	1	SPRING
89	144-151-315	1	BUSHING
90	144-151-315	1	BUSHING
91	144-151-320	1	THROTTLE SHUTTER
92	001-150-650	1	SCREW
93	001-150-650	1	SCREW
94	122-151-400	1	DISC
95	100-150-350	1	SAFETY WASHER
96	394-150-250	1	CHOKE SHAFT
97	113-150-261	1	CHOKE SHUTTER
98	101-150-080	1	LOCKING SPRING
99	113-150-380	1	LOCKING BALL
100	394-150-570	1	IDLE STOP SCREW (S)
101	394-150-470	1	IDLE ADJUSTM. SCREW (L)
102	394-150-510	1	MAIN ADJUSTM. SCREW (H)
103	144-151-480	1	SPRING
104	144-151-480	1	SPRING
105	394-150-500	1	PACKING RING
106	394-150-500	1	PACKING RING
107	957-150-160	1	SET of CONTROL PARTS
108	394-150-180	1	SCREEN
109	113-150-040	1	COVER DISC
110	001-150-510	1	LOCKING BALL
111	394-112-640	1	STARTER ASSY., grey
112	394-112-620	1	FAN HOUSING, grey
113	394-163-020	1	REWIND SPRING, in housing
114	915-135-100	2	T. F. SCREW 3.5x9.5
115	394-162-010	1	CABLE DRUM
116	929-314-100	1	SNAP RING

117	122-164-010	1	STARTER ROPE (1000mm)
119	001-161-010	1	STARTER GRIP
120	928-405-000	1	DISC WASHER
121	394-112-141	1	AIR GUIDE PLATE
123	908-005-165	4	SCREW M5x16
124	394-141-030	1	FLYWHEEL ASSY.
125	031-166-010	2	STARTER RATCHET Cpl.
126	920-308-024	1	HEX. NUT M8x1
127	926-208-001	1	SPRING WASHER
128	394-143-011	1	IGNITION COIL
129	970-310-200	1	IGNITION CABLE
130	908-605-205	2	SCREW M5x20
131	965-605-433	1	CABLE W/PLUG
132	965-401-016	1	RUBBER BUSH
133	394-146-011	1	CONTACT SPRING
134	957-604-240	1	SPARK PLUG CAP Cpl.
135	965-603-021	1	SPARK PLUG
136	394-131-041	1	HOOD, black
137	908-005-165	3	SCREW M5x16
138	325-130-033	2	CYLINDER PISTON, Cpl.
139	325-132-032	1	PISTON Cpl.,(47)
140	325-132-050	1	PISTON RING (47)
141	119-132-060	2	SPRING RING
142	001-131-150	1	DECOMPRESSION VALVE
143	965-531-121	1	GASKET
144	908-005-205	4	SCREW M5x20
145	394-120-010	1	CRANKSHAFT Cpl.
146	962-210-015	1	NEEDLE CAGE
147	939-630-370	1	KEY
148	962-900-052	1	RADIAL RING
149	962-900-052	1	RADIAL RING
150	930-916-160	1	SPRING RING
151	394-245-010	1	STOP RING, hardened
152	394-182-020	1	GUIDE DISC
153	394-111-111	1	CRANKC., MAG. SIDE
154	394-111-120	1	CRANKC.,CLUTCH SIDE
155	965-531-111	1	GASKET
156	936-430-160	2	SPIRAL CLAMPING PIN
157	908-005-305	5	SCREW M5x30
158	960-102-159	1	BALL BEARING (use glue)
159	960-102-159	1	BALL BEARING (use glue)
160	394-223-023	1	CLUTCH DRUM ASSY.
161	965-300-470	1	V-BELT
162	001-182-041	1	GUIDE DISC
163	010-180-022	1	CLUTCH ASSY.
164	024-184-021	3	SPRING
165	394-213-670	1	COVER, grey
167	908-605-145	3	SCREW M5X14
168	965-402-870	1	RUBBER PLATE, SET=35pcs.
169	325-341-610	1	12" PROTECTION HOOD, silver
169	394-341-011	1	14" PROTECTION HOOD, silver

170	957-342-011	1	PROT, HOOD MOUNTING Cpl
171	394-342-111	1	SLIDING DISC
172	394-342-111	1	SLIDING DISC
173	965-404-900	1	RUBBER RING ext.
174	965-404-920	1	RUBBER RING int.
175	394-342-011	1	LOCKING PLATE
176	394-342-201	1	PRESSURE RING Cpl.
177	394-211-110	1	CUTTING DEVICE ASSY.
178	957-211-020	1	BOLT Cpl.
179	394-211-090	2	SCREW
180	394-228-100	1	AXLE, 20mm
181	394-228-110	1	AXLE, 24.5mm, 1", DPC6401
183	960-102-176	1	BALL BEARING
184	960-102-176	1	BALL BEARING
185	394-228-061	1	PRESSURE DISC
186	394-228-061	1	PRESSURE DISC
187	994-280-250	1	HEX. SCREW M8x25
188	994-280-250	1	HEX. SCREW M8x25
189	394-228-020	1	SPACER
190	394-228-020	1	SPACER
191	900-006-179	1	DISC
192	394-221-010	1	V-BELT PULLEY
193	929-240-180	1	SNAP RING
194	929-240-180	1	SNAP RING
195	394-211-100	1	COVER Cpl., grey
196	394-211-020	1	COVER, grey
197	394-213-031	1	TENSIONING SCREW
198	394-342-120	1	SPRING
199	921-906-004	1	SQUARE NUT M6
200	923-208-004	2	HEX. NUT M8
202	980-600-130	1	INSULATING SHEET
203	915-135-100	1	T. F. SCREW 3.5x9.5

ACCESSORIES

400	965-210-621	1	12" STEEL WHEEL, DPC6400
400	965-210-611	1	12" STONE WHEEL, DPC6400
401	965-210-222	1	14" STONE WHEEL, DPC6401
401	965-210-212	1	14" STEEL WHEEL, DPC6401
402	941-719-140	1	UNIVERSAL WRENCH
403	940-827-000	1	ANGLED SCREWDRIVER
404	944-340-001	1	SCREWDRIVER
405	394-228-121	1	ADAPTER, (20/25.4mm)
406	010-114-081	1	ANGULAR UNION ASSY. (INCL, FIG. 10)
407	394-228-130	1	AXLE, 22.2mm