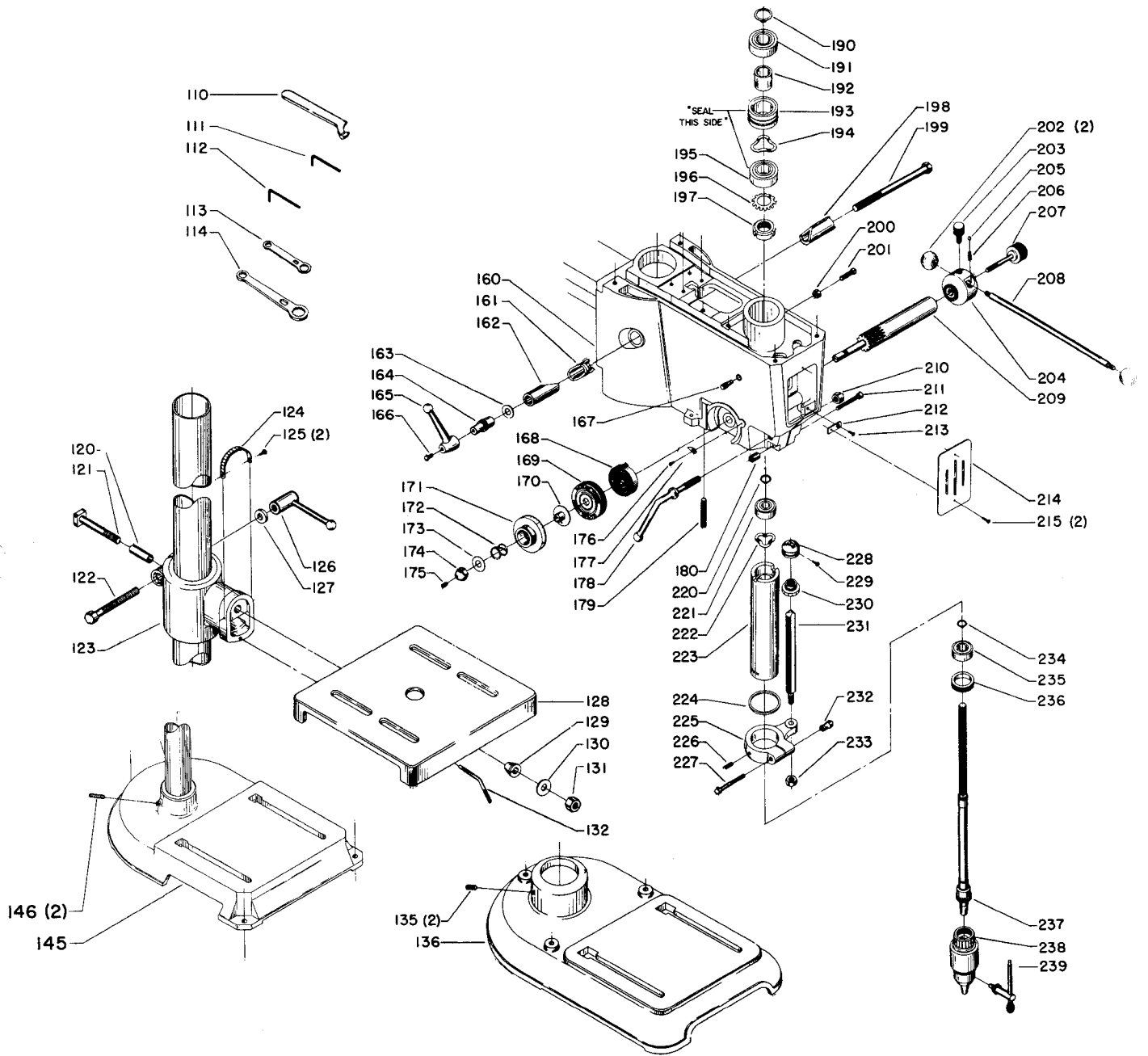


Replacement Parts

Ref. No.	Part No.	Description	Ref. No.	Part No.	Description
*	41-932	Motor Pulley Ass'y., 1/2" Bore, Incl:	35	Cannot Furnish	Bushing
1	402-04-405-5002	Sleeve Ass'y., Incl:	36	Cannot Furnish	Stabilizer
2	905-01-010-6742	3/16 X 1-5/8" Roll Pin	37	902-01-020-5433	3/8"-16 Hex Jam Nut
3	901-04-150-0208	1/4-20 X 1/4" Soc. Set Scr.	38	904-01-010-1605	3/8 X 7/8 X 1/16" Washer
4	927-01-100-2619	1/8 X 1/2" Key	39	402-04-379-5002	Retainer Assembly
5	904-15-010-7028	Retaining Ring	41	926-05-991-8704	Upper Spindle Pulley
6	926-05-991-8703	Pulley	42	901-04-150-0208	1/4-20 X 1/4" Soc. Set Scr.
7	402-04-379-5001	Retainer Ass'y.	43	402-04-405-5005	Sleeve Ass'y., Incl:
8	402-04-063-5001	Drag Plug	44	402-04-074-5001	Plug
9	901-04-190-9415	1/4-20 X 1/4" Soc. Set Scr.	45	926-05-011-7437	Lower Spindle Pulley
*	41-933	Motor Pulley Ass'y., 5/8" Bore, Incl:	46	927-01-101-8010	3/16 X 5/8" Key
10	402-04-405-5004	Sleeve Ass'y., Incl:	50	49-415	Variable Speed Belt
2	905-01-010-6742	3/16 X 1-5/8" Roll Pin	51	901-01-060-0605	5/16-18 X 1/2" Hex Hd. Scr.
11	901-04-150-6227	1/4-20 X 3/16" Soc. Set Scr.	52	904-01-010-1620	11/32 X 11/16 X 1/16" Washer
4	927-01-100-2619	1/8 X 1/2" Key	53	402-04-354-5006	Belt Guard
5	904-15-010-7028	Retaining Ring	60	402-04-408-5004	Rod & Gear Ass'y.
6	926-05-991-8703	Pulley	61	901-01-060-0605	5/16-18 X 1/2" Hex Hd. Scr.
7	402-04-379-5001	Retainer Ass'y.	62	904-01-010-1620	11/32 X 11/16 X 1/16" Washer
8	402-04-063-5001	Insert	64	402-04-023-5001	Chain
9	901-04-190-9415	1/4-20 X 1/4" Soc. Set Scr.	65	402-04-406-5006	Gear w/Stud
15	904-01-010-1620	11/32 X 11/16 X 1/16" Washer	70	402-04-406-5007	Threaded Shaft & Gear
16	902-01-020-5435	5/16"-18 Hex Jam Nut	71	402-04-406-5008	Gear w/Shaft
17	901-07-121-4744	5/16-18 X 3-1/2" Stud	72	901-05-430-3022	#8 X 1/2" Self-Tapping Scr.
18	901-07-121-4743	5/16-18 X 2-1/4" Stud	73	402-04-054-5003	Spindle Pulley Guard
19	901-04-150-0296	1/4-20 X 1" Soc. Set Scr.	74	901-01-060-0605	5/16-18 X 1/2" Hex Hd. Scr.
20	902-01-120-1034	1/4"-20 Hex Nut	75	904-01-010-1620	11/32 X 11/16 X 1/16" Washer
25	901-01-060-0601	1/4-20 X 3/8" Hex Hd. Scr.	80	951-02-011-8255	Speed Dial
26	904-01-010-1614	9/32 X 5/8 X 1/16" Washer	81	901-06-120-3015	#6-32 X 1/4" Self-Tapping Scr.
27	901-02-181-6103	#10-32 X 3/8" Hex Hd. Scr.	82	904-07-020-5556	25/64 X 3/4 X 1/16" Fiber Wash
28	904-01-010-1619	7/32 X 1/2 X .049" Stl. Washer	83	951-01-011-7002	Pointer
29	402-04-051-5004	Rack	84	904-01-010-1614	9/32 X 5/8 X 1/16" Washer
30	901-01-060-0611	1/4-20 X 1/2" Hex Hd. Scr.	85	901-02-010-0514	1/4-20 X 5/16" Rd. Hd. Scr.
31	904-01-010-1614	9/32 X 5/8 X 1/16" Washer	94	904-15-221-7124	Retaining Ring
32	402-04-410-5001	Post Assembly	95	905-04-041-7954	Shear Pin
33	901-04-150-0208	1/4-20 X 1/4" Soc. Set Scr.	96	931-03-071-6377	Handwheel
34	904-01-021-2450	Stop Collar	99	402-04-063-5001	Drag Plug
			100	901-04-150-0208	1/4-20 X 1/4" Soc. Set Scr.

* NOT SHOWN ASSEMBLED



Replacement Parts

Ref. No.	Part No.	Description	Ref. No.	Part No.	Description
110	Cannot Furnish	Spanner Wrench	190	904-15-010-7025	Retaining Ring
111	48-273	1/8" Hex Soc. Wrench	191	920-04-020-5383	Bearing
112	48-245	5/32" Hex Soc. Wrench	192	402-04-104-5001	Bearing Spacer
113	48-524	Double End Wrench	193	402-04-079-5001	Bearing Retainer
114	40-526	Double End Wrench	194	928-06-010-7352	Loading Spring
*	402-04-391-5001	Table Complete, Const. Of:	195	920-04-020-5383	Bearing
120	402-02-105-5001	Sleeve	196	Cannot Furnish	Lockwasher
121	901-11-010-2360	1/2-13 X 3-1/4" Sq. Hd. Bolt	197	902-07-010-7155	Lock Nut
122	901-01-060-0618	1/2-13 X 3-1/2" Hex Hd. Cap Scr.	198	402-03-105-5001	Clamp Sleeve
123	402-04-314-5002	Table Bracket, Incl:	199	901-01-060-0621	1/2-13 X 5-1/2" Hex Hd. Cap Scr.
124	402-04-072-5002	Scale	200	902-01-020-5435	5/16"-18 Hex Nut
125	901-06-120-3015	#6-32 X 1/4" Self-Tapping Scr.	201	901-04-010-0378	5/16-18 X 7/8" Sq. Hd. Set Scr.
126	931-04-991-3461	Lock Bolt	202	931-01-011-3519	Handle Ball
127	904-10-031-3893	Washer	203	931-02-121-4081	Lock Knob
128	402-04-091-5001	Table	204	402-04-409-5002	Collar for Pinion Shaft, Incl:
129	402-04-017-5002	Spring Bushing	205	921-01-010-0028	1/4" Steel Ball
130	904-01-010-1636	17/32 X 1-1/16 X .095" Stl. Washer	206	928-01-021-3378	Spring
131	902-01-100-1028	1/2"-13 Hex Nut	207	931-03-991-3456	Hand Knob
132	402-02-071-5001	Index Pin	208	402-05-108-5004	Hand Lever
135	901-04-150-1107	5/16-18 X 1" Soc. Hd. Set Scr.	209	402-04-106-5002	Pinion Shaft
136	Cannot Furnish	Base (Bench Model)	210	902-01-010-1232	7/16"-20 Hex Nut
140	15-804	2-3/4" Dia. X 33-3/4" Column	211	901-03-013-1026	1/4-20 X 1-3/4" Fil. Hd. Scr.
141	15-806	2-3/4" Dia. X 65-1/4" Column	212	438-01-021-0036	Switch Bracket
145	402-04-005-5006	Base	213	901-06-020-3017	#6-32 X 3/8" Self-Tapping Scr.
146	901-04-150-1112	3/8-16 X 1/2" Soc. Hd. Set Scr.	214	402-04-031-5002	Switch Opening Cover
160	402-04-057-5002	Head Casting	215	901-06-120-3015	#6-32 X 1/4" Self-Tapping Scr.
161	402-03-027-5002	Column Clamp	220	904-15-010-7411	Retaining Ring
162	402-03-105-5003	Clamp Sleeve	221	920-04-020-5384	Bearing
163	904-01-031-2905	33/64 X 7/8 X 1/16" Washer	222	928-06-011-4127	Bearing Loading Spring
164	902-08-041-3075	Serrated Nut	223	1202515	Quill
165	931-04-010-3635	Clamp Handle	224	908-00-000-3769	2 X 1/8" Spc. Gasket
166	901-02-120-7528	1/4-20 X 1/2" Truss Hd. Scr.	225	402-04-314-5007	Stop Collar, Incl:
167	Cannot Furnish	Oiler	226	901-04-090-0112	#10-32 X 1/2" Headless Set Scr.
168	928-08-011-8868	Pinion Clock Spring	227	901-01-060-0622	1/4-20 X 2" Hex Hd. Cap Scr.
169	402-04-031-5001	Clock Spring Housing	228	402-04-012-5001	Holding Nut
170	Cannot Furnish	Depth Dial Bushing	229	901-04-260-1534	#6-32 X 1/4" Thumb Scr.
171	402-04-037-5001	Depth Setting Dial	230	402-04-088-5005	Micro-Nut
172	928-01-041-4113	Spring Dial	231	402-04-108-5003	Stop Rod
173	904-01-021-3570	Steel Washer	232	931-02-141-4087	1/4"-20 Spec. Nut
174	902-09-040-5918	1/2"-20 Acom Nut	233	902-01-010-5900	3/8"-16 Hex Nut
175	901-04-140-9446	1/4-20 X 3/4" Soc. Hd. Set Scr.	234	904-15-010-7410	Retaining Ring
176	901-06-120-3015	#6-32 X 1/4" Self-Tapping Scr.	235	920-04-020-5384	Bearing
177	402-04-075-5001	Depth Dial Pointer	236	902-07-020-7176	Bearing Nut
178	931-04-051-4071	Ball Crank	237	402-04-385-5001	Sprindlle
179	402-04-112-5001	Adjusting Screw	238	15-830	Chuck, Incl:
180	902-01-200-9706	1/4"-20 Hex Nut	239	1200490	Key

* NOT SHOWN ASSEMBLED