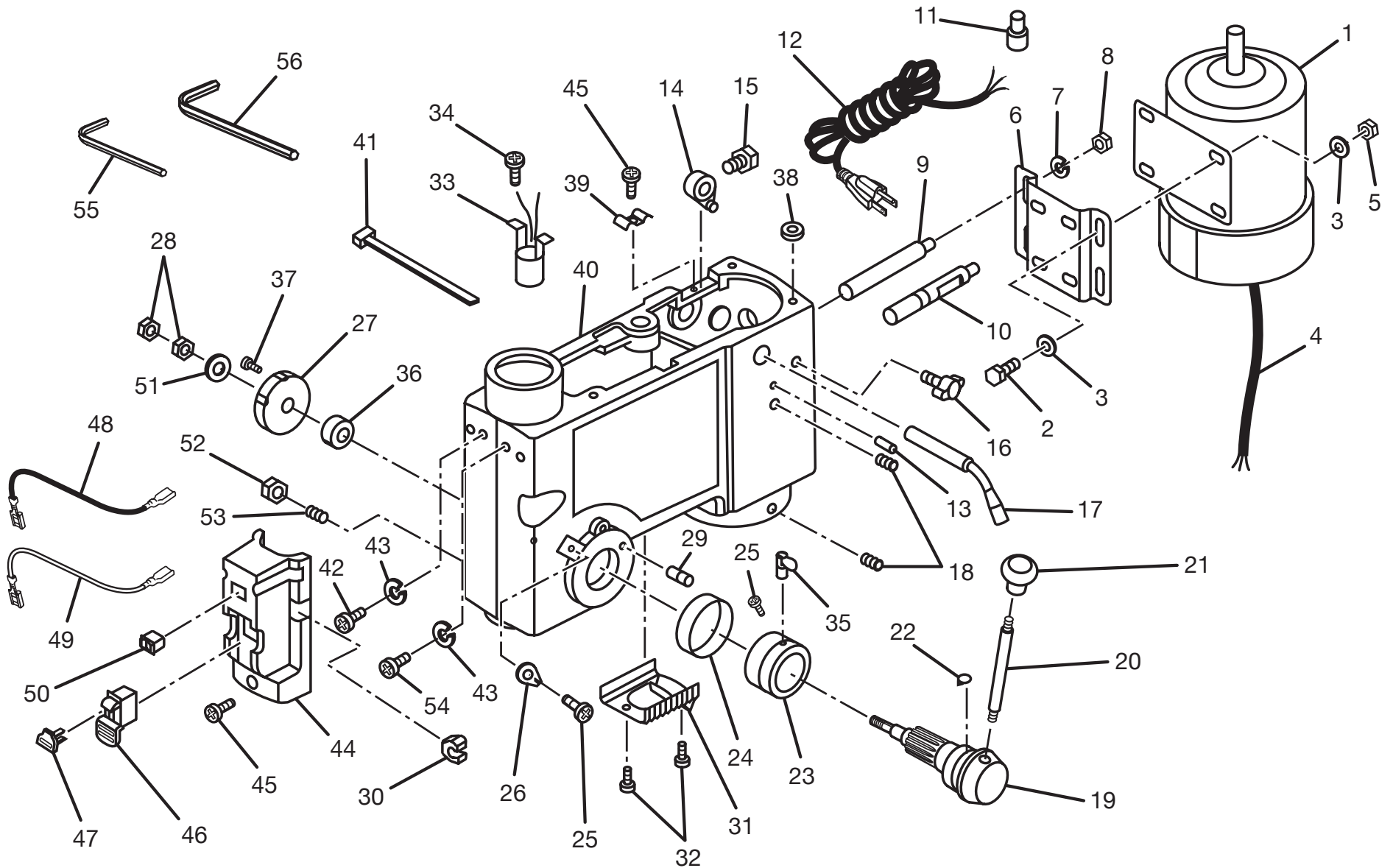


RIDGID 15 in. (381 mm) DRILL PRESS - MODEL NUMBER DP15501



RIDGID 15 in. (381 mm) DRILL PRESS – MODEL NUMBER DP15501

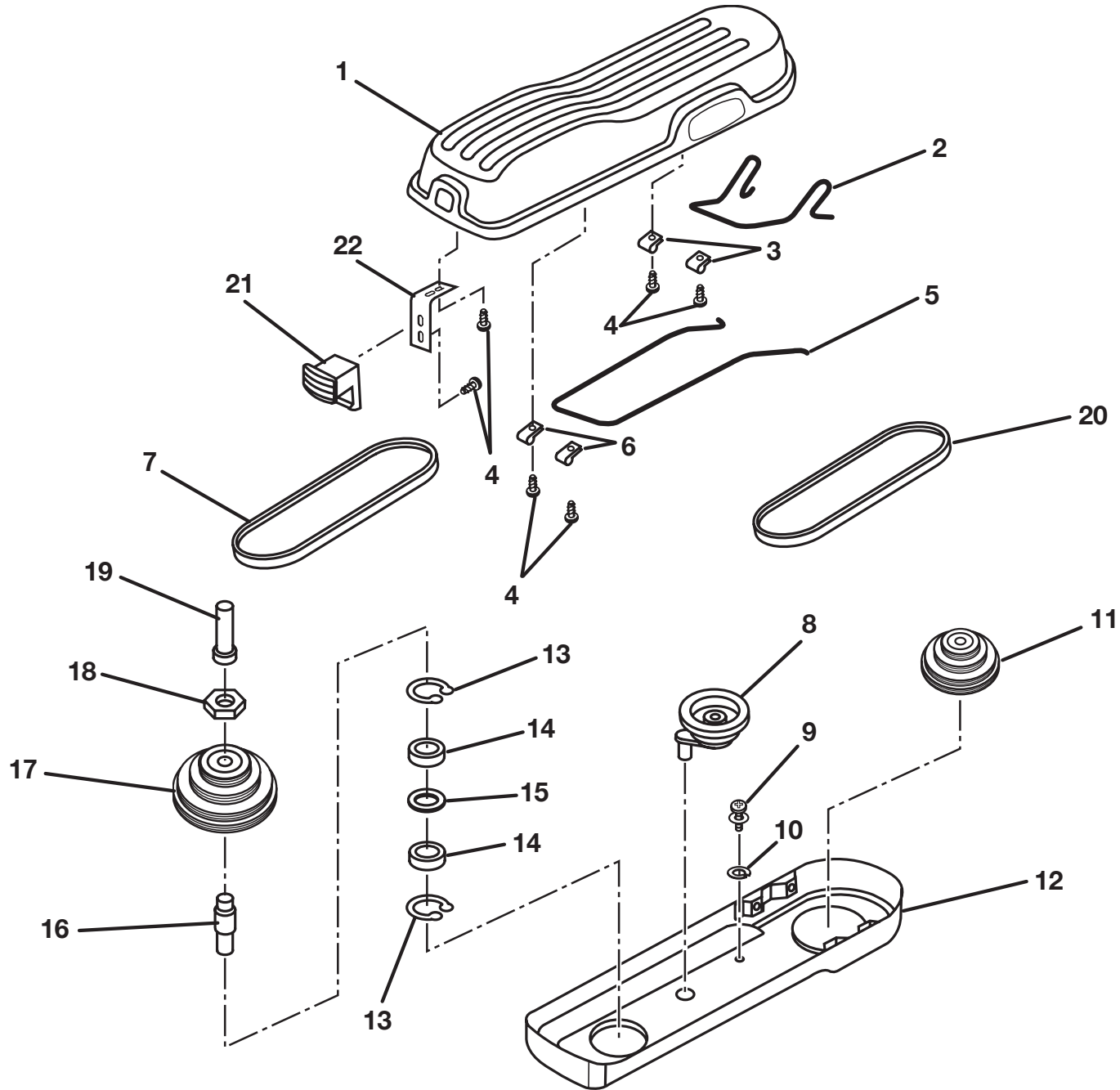
The model number will be found on a plate attached to the motor housing. Always mention the model number in all correspondence regarding your **DRILL PRESS** or when ordering repair parts.

PARTS LIST

KEY NO.	PART NUMBER	DESCRIPTION	QTY.	KEY NO.	PART NUMBER	DESCRIPTION	QTY.
1	828929	MOTOR.....	1	29	828917	PIN STOP.....	1
2	820381-2	* SCREW, HEX HD (M8 X 1.25-20).....	4	30	828877	CHUCK KEY HOLDER.....	1
3	821063-2	* WASHER (M8 X 16 X 1.2)	8	31	828963	LENS ASSEMBLY	1
4	828940	MOTOR CORD.....	1	32	820240-6	* SCREW, PAN HD. (M5 X 0.8-12).....	2
5	824026-7	* NUT, HEX M8 X 1.25.....	4	33	829595	BULB SOCKET ASSEMBLY	1
6	817336-1	MOTOR MOUNT.....	1	34	820244	* SCREW, PAN HD. (M6 X 1.0 - 12).....	2
7	820383-8	* LOCK WASHER 12 mm	2	35	817343	DEPTH LOCK SCREW.....	1
8	820236-9	* NUT, HEX (M12 X 1.75).....	2	36	828928	PINION BEARING SHAFT	1
9	817495	SUPPORT MOTOR BRACKET.....	1	37	820378	* SCREW, SOC. CAP (M4 X 0.7 - 10)	1
10	817516	SUPPORT MOTOR BRACKET.....	1	38	820294	FOAM WASHER.....	4
11	817330	WIRE CONNECTOR	2	39	829689	CORD CLAMP	1
12	828941	POWER CORD W/PLUG	1	40	829826	HEAD ASSEMBLY	1
13	821733-181	SPRING PIN (6 X 26).....	2	41	810506-3	TIE WIRE	2
14	817317	ADJUSTING LEVER.....	1	42	829803	* SCREW, HEX HD.. (M5 X 0.8)	1
15	820381-4	* SCREW, HEX HD (M8 X 1.25-16).....	1	43	820241-4	LOCKWASHER, M5.....	2
16	817320	MOTOR ADJUSTING KNOB.....	2	44	828921	BOX SWITCH ASSEMBLY	1
17	817494	BELT TENSION HANDLE.....	1	45	820240	* SCREW, PAN HD. (M5 X 0.8 -16).....	3
18	821750	* SCREW, HEX SS (M10 X 1.50-12).....	2	46	829787	LOCKING SWITCH	1
19	828904	HUB ASSEMBLY.....	1	47	826122	SWITCH KEY	1
20	826445	ROD	3	48	829597	LEAD, BLACK	1
21	826441	KNOB.....	3	49	829597-1	LEAD, WHITE	1
22	817300	SCALE GUIDE.....	1	50	828923	ROCKER SWITCH	1
23	829590	DEPTH STOP RING	1	51	829690	WASHER, (12 mm)	1
24	828876	DEPTH SCALE.....	1	52	820236-8	* NUT, HEX (M10 X 1.5).....	1
25	816743-4	* SCREW, PAN CR. (M4 X 0.7).....	2	53	817308	SCREW SI. SET FI. PT.	1
26	826057	POINTER.....	1	54	820240-3	* SCREW, PAN HD (M5 X 0.8-6).....	1
27	828880	SPRING ASSEMBLY	1	55	813317-6	WRENCH, (3 mm) HEX KEY	1
28	821738-3	* SCREW, HEX (M12 X 1.5-8).....	2	56	813317-8	WRENCH, (5 mm) HEX KEY	1
					983000-391	OPERATOR'S MANUAL.....	1
					10-06-04	(REV:00)	

* STANDARD HARDWARE ITEM – MAY BE PURCHASED LOCALLY

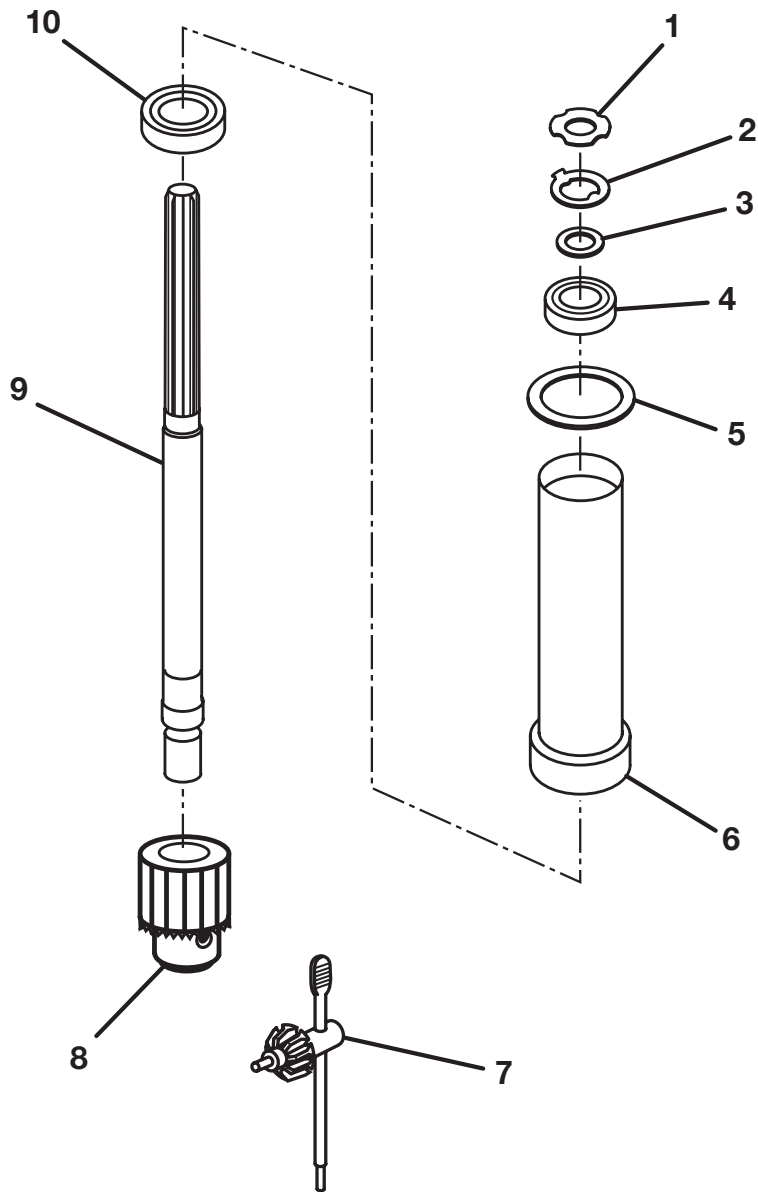
RIDGID 15 in. (381 mm) DRILL PRESS – MODEL NUMBER DP15501



PARTS LIST

KEY NO.	PART NUMBER	DESCRIPTION	QTY.
1	829775	UPPER GUARD.....	1
2	828814	LINK, REAR.....	1
3	828812	CLAMP.....	2
4	828932	* SCREW, PAN HD (M5.5 X 1.8-12).....	8
5	828813	LINK, FRONT	1
6	828811	CLAMP.....	2
7	816439-4	BELT, (27 in.)	1
8	828919	IDLER PULLEY ASSEMBLY.....	1
9	817358-1	* SCREW, RD. HD (M6 X 1.0).....	4
10	820241-5	* LOCK WASHER (M6)	4
11	828818	MOTOR PULLEY ASSMBLY.....	1
12	828816	LOWER GUARD.....	1
13	817537	RETAINING RING.....	2
14	817530	BALL BEARING (20 mm).....	2
15	817536	SPACER.....	1
16	821734	PULLEY INSERT	1
17	828849	SPINDLE PULLEY.....	1
18	821742	PULLEY NUT (M24 X 1.5 L.H.).....	1
19	829688	SPINDLE CAP.....	1
20	816439-5	BELT (25 in.).....	1
21	828820	LATCH.....	1
22	828821	LATCH SPRING	1
23	828936	WARNING LABEL (NOT SHOWN)	1
24	828962	RIDGID PLATE LABEL (NOT SHOWN).....	1
25	828964	LAMP LABEL (NOT SHOWN)	1
26	826434-1	MODEL, NAME PLATE LABEL (NOT SHOWN).....	1
27	828930	DATA PLATE LABEL (NOTSHOWN).....	1
28	830165	ROTATE SPEED DATA LABEL (NOT SHOWN).....	1
29	826463-4	RIDGID LABEL.....	2

* STANDARD HARDWARE ITEM – MAY BE PURCHASED LOCALLY

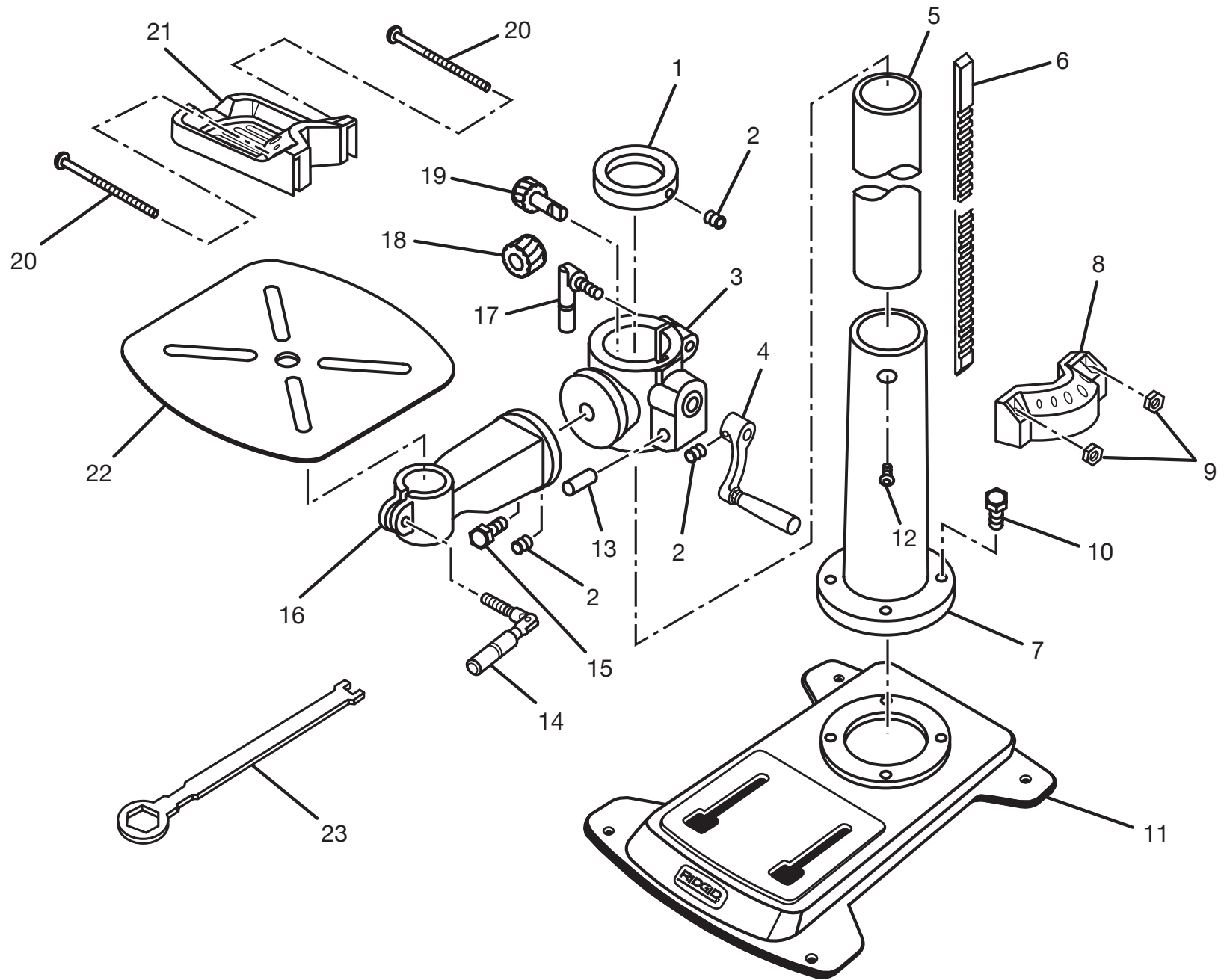


PARTS LIST

KEY NO.	PART NUMBER	DESCRIPTION	QTY.
1	817309	* LOCK NUT (M7 X 1.0)	1
2	817310	LOCK RING.....	1
3	817311	WASHER.....	1
4	813480	BALL BEARING (17 mm).....	1
5	817535	QUILL GASKET.....	1
6	828875	QUILL TUBE.....	1
7	817339	CHUCK KEY	1
8	817340	CHUCK	1
9	828908	SPINDLE	1
10	817529	BALL BEARING.....	1

* STANDARD HARDWARE ITEM – MAY BE PURCHASED LOCALLY

RIDGID 15 in. (381 mm) DRILL PRESS - MODEL NUMBER DP15501



PARTS LIST

KEY NO.	PART NUMBER	DESCRIPTION	QTY.
1	817478	RACK COLLAR	1
2	820245	* SCREW, HEX SOC. SET (M6 X 1.0-10).....	3
3	821861-2	SUPPORT TABLE W/INDICATOR	1
4	826439	CRANK, W/SET SCREW.....	1
5	821880	COLUMN TUBE	1
6	828927	RACK	1
7	821881-1	SUPPORT COLUMN.....	1
8	828870	TRAY, REAR	1
9	813164-6	NUT, HEX (M5)	2
10	821754	* SCREW, HEX HD. (M10 X 1.5-12).....	4
11	828961	BASE.....	1
12	821750	* SCREW, HEX SOC. SET (M10 X 1.5-12).....	1
13	817288	GEAR PIN.....	1
14	817290-3	TABLE CLAMP	1
15	821732	* SCREW, HEX HD. (M16 X 2.0-35).....	1
16	817777-3	TABLE ARM, W/SCALE	1
17	817294-2	COLUMN CLAMP	1
18	817350	HELICAL GEAR.....	1
19	817349	ELEVATION WORM.....	1
20	10251002	* SCREW, PAN HD. (M5 X 0.8-60).....	2
21	828871	TRAY, FRONT	1
22	828903	TABLE	1
23	826438	HEX WRENCH, (24 mm)	1

* STANDARD HARDWARE ITEM – MAY BE PURCHASED LOCALLY