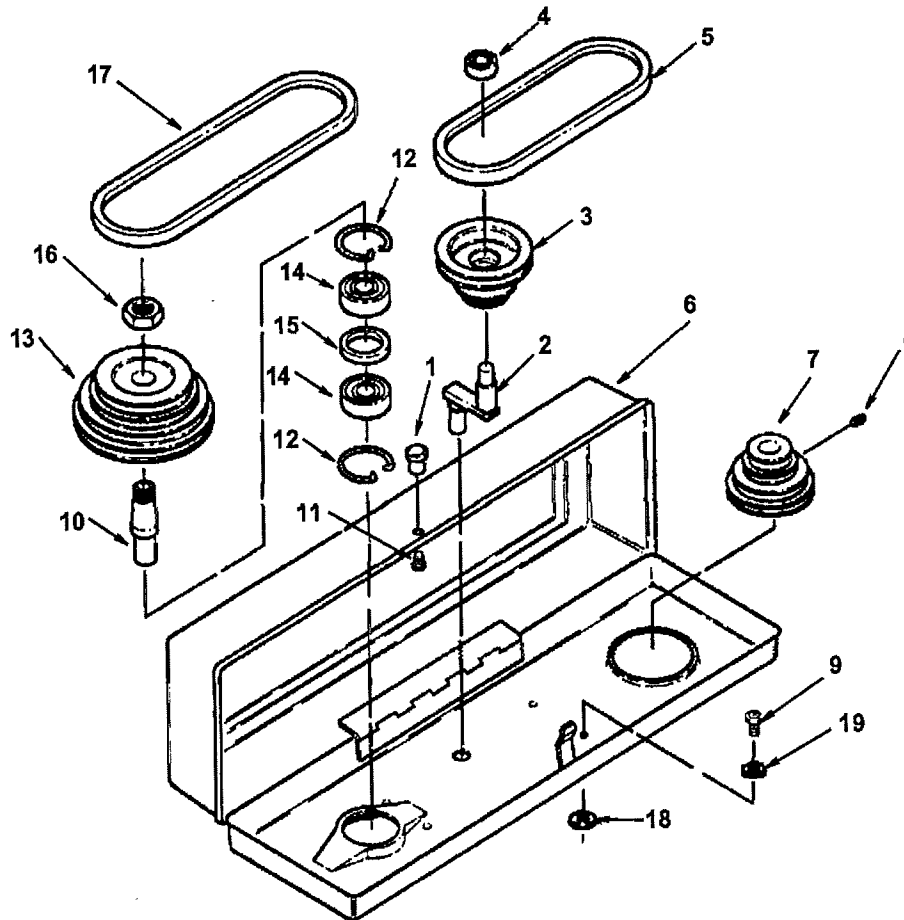


Repair Parts

Parts List for RIDGID 15" Drill Press Model No. DP15000

Figure 1



Always order by Part Number - Not by Key Number

Key No.	Part No.	Description
1	817325	Knob
2	508047	Pivot Idler
3	817544	Pulley Center
4	813271	Bearing Ball 15mm
5	817511-1	Belt "V" 3/8 x 24
6	822039-1	Guard
7	817543	Pulley Motor
8	*	Screw Hex Soc. Set M6 x 1.0-10
9	*	Screw Wash. Hd. M6 x 1.0-16
10	821734	Insert Pulley

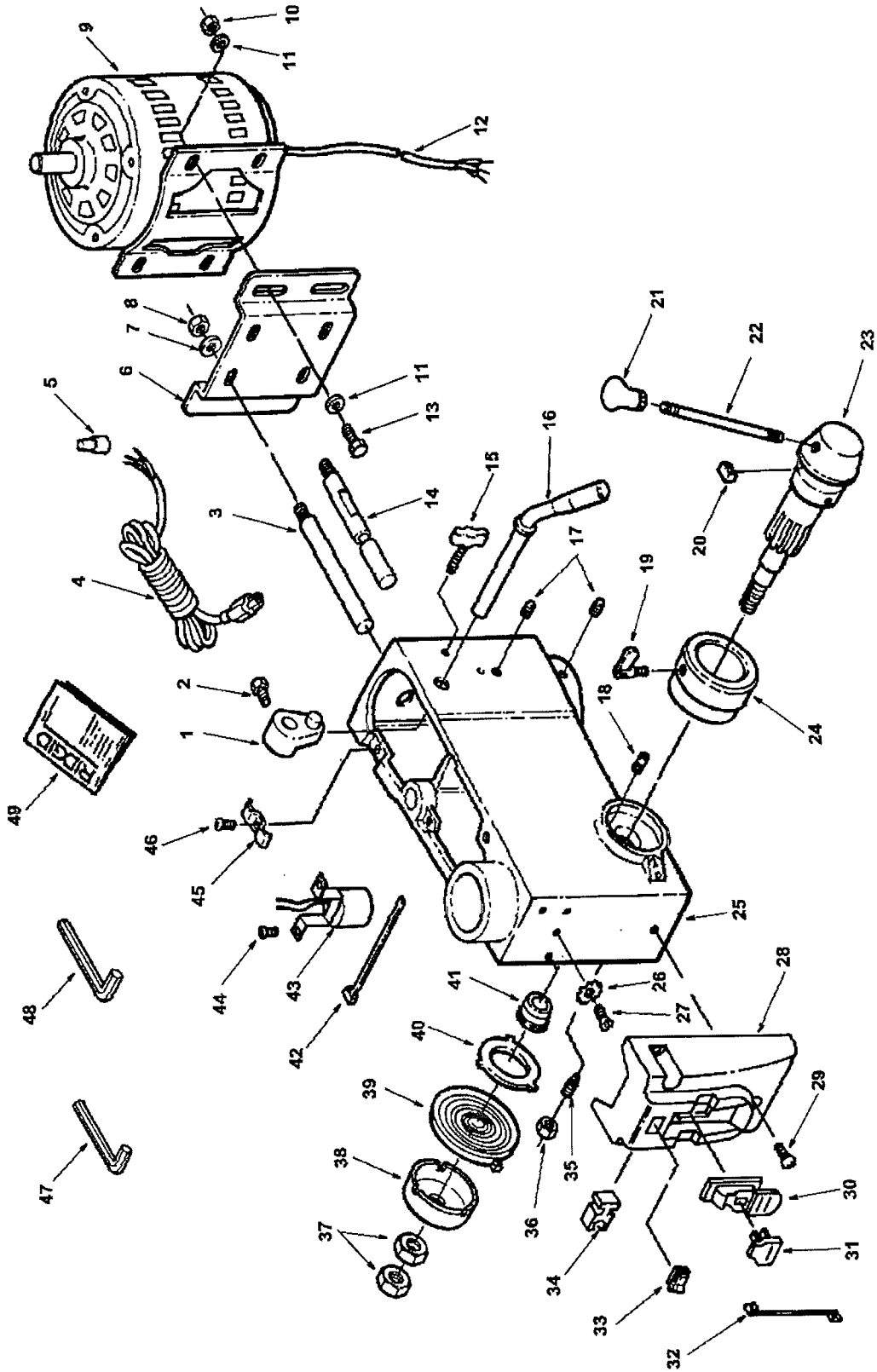
Key No.	Part No.	Description
11	*	Screw Pan. Hd. M5 x 0.8-12
12	817537	Ring Retaining
13	817545	Pulley Spindle
14	817530	Bearing Ball 20mm
15	817536	Spacer
16	821742	Nut Pulley M24 x 1.5 L.H.
17	817511-2	Belt "V" 3/8 x 26
18	820294	Washer Foam
19	*	Lockwasher M6 Ext.

* Standard hardware item - may be purchased locally.

Repair Parts

Parts List for RIDGID 15" Drill Press
Model No. DP15000

Figure 2



Parts List for RIDGID 15" Drill Press

Model No. DP15000

Figure 2

Always order by Part Number -- Not by Key Number

Repair Parts

Key No.	Part No.	Description
1	817317	Lever Adjusting
2	*	Screw Hex Hd. M8 x 1.25-16
3	817495	Support Motor Bracket
4	821739-1	Cord w/Plug
5	*	Connector Wire
6	817336-1	Mount Motor
7	*	Lockwasher 12mm
8	*	Nut Hex M12 x 1.75
9	826672	• Motor
10	*	Nut Hex M8 x 1.25
11	*	Washer M8 x 16 x 1.6
12	821740-1	Cord Motor
13	*	Screw Hex Hd. M8 x 1.25-20
14	817516	Support Motor Bracket
15	817320	Knob Motor Adjusting
16	817494	Handle Belt Tension
17	*	Screw Hex Soc. Set M10 x 1.5-12
18	817303	Pin Stop
19	817343	Lock Depth Screw
20	817300	Guide Scale
21	826441	Knob
22	826445	Rod
23	826447-1	Hub Asm.
24	817774	Ring Depth Stop w/Scale
25	822216-6	Head

* Standard hardware item - may be purchased locally.

Key No.		Description
26	*	Lockwasher Ext. M5
27	*	Screw Pan Hd. M5 x 0.8-8
28	826405	Box Switch
29	*	Screw Pan Hd M5 x 0.8-16
30	826347	Switch Locking
31	826122	Key Switch
32	821741	Lead 3"
33	817354	Switch Rocker
34	826435	Holder Key Chuck
35	817308	Screw Sl. Special 10 x 1.5-27
36	*	Nut Hex M10 x 1.5
37	*	Nut Hex M12 x 1.5-8
38	817307	Cap Spring
39	817306	Spring Torsion
40	817305	Retainer Spring
41	817304	Seat Spring
42	60475	Tie Wire
43	817321	Socket Bulb Asm.
44	*	Screw Pan Hd. M6 x 1.0-12
45	63418	Clamp Cord
46	*	Screw Pan Hd. M5 x 0.8-12
47	813317-6	Wrench Hex "L" 3mm
48	813317-8	Wrench Hex "L" 5mm
49	SP6158	Owners Manual

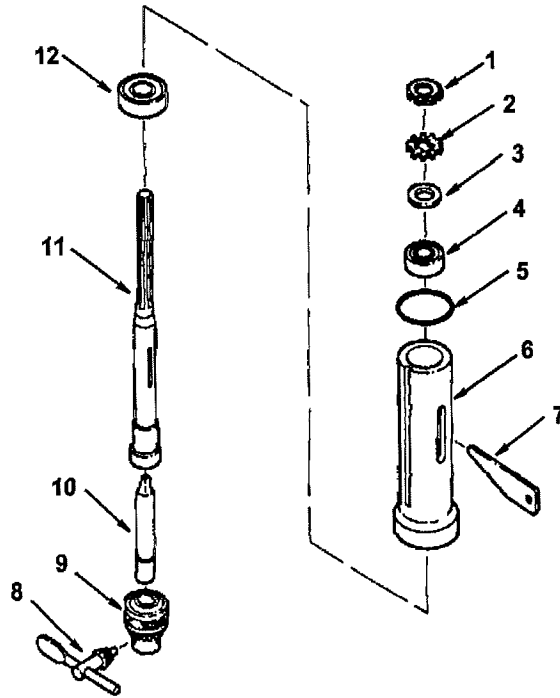
• Any attempt to repair this motor may create a hazard unless repair is done by a qualified service technician.

Repair service is available at your nearest Authorized Service Center.

Repair Parts

Parts List for RIDGID 15" Drill Press Model No. DP15000

Figure 3



Always order by Part Number - Not by Key Number

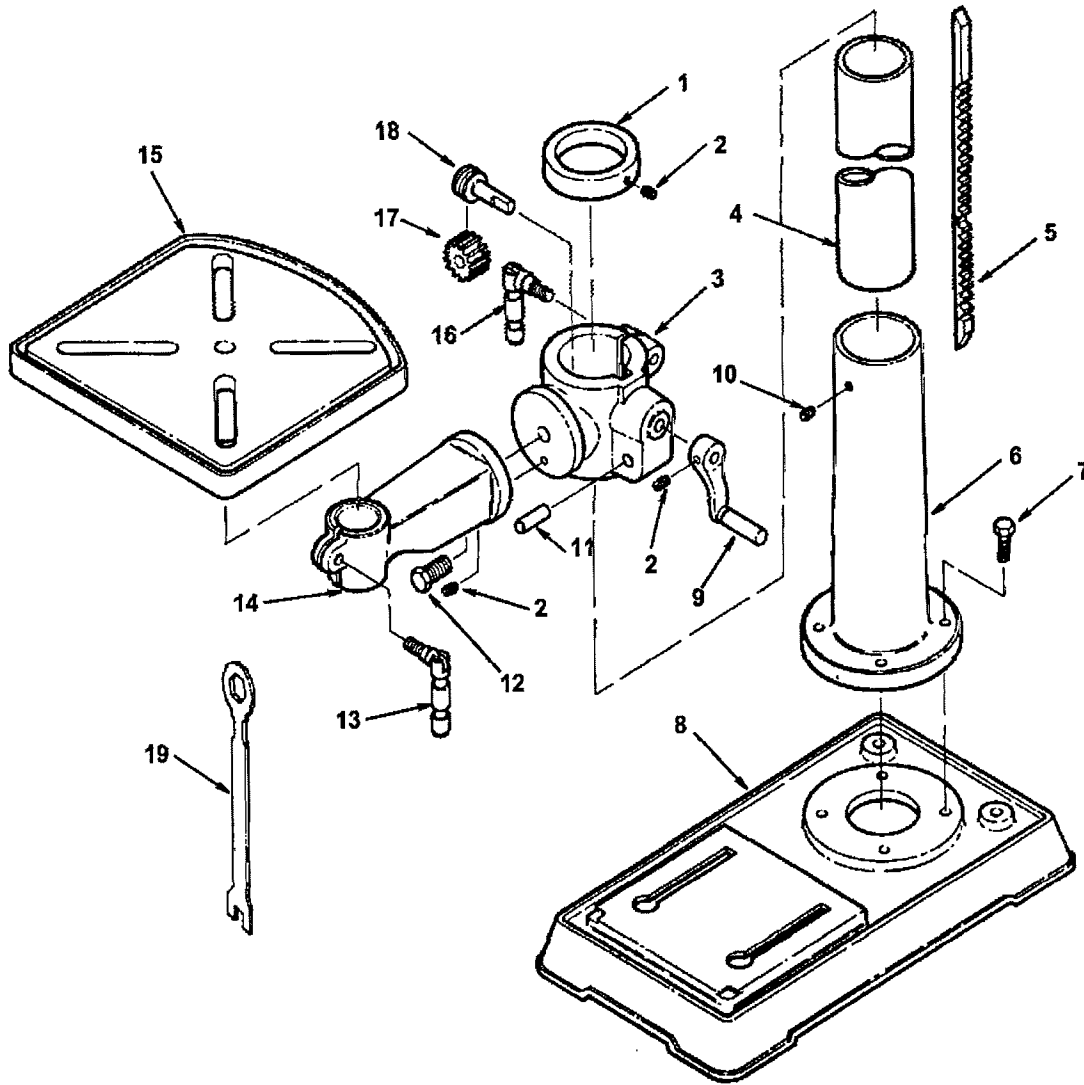
Key No.	Part No.	Description
1	817309	Lock Nut M17 x 1.0
2	817310	Ring Locking
3	817311	Washer
4	813480	Bearing Ball 17mm
5	817535	Gasket Quill
6	817532	Tube Quill

Key No.	Part No.	Description
7	817326	Key Drift
8	817339	Key Chuck
9	817340	Chuck
10	817341	Arbor
11	817531	Spindle
12	817529	Bearing Ball

Repair Parts

Parts List for RDIGID 15" Drill Press Model No. DP15000

Figure 4



Key No.	Part No.	Description
1	821883	Collar Rack
2	*	Screw Hex Soc. Set M6 x 1.0-10
3	821861-2	Support Table w/Indicator
4	821880	Tube Column
5	821882	Rack
6	821881-1	Support Column
7	*	Screw Hex Hd. M10 x 1.5-40
8	817577-1	Base
9	826439	Crank (Includes Set Screw)
10	*	Screw Hex Soc. Set M10 x 1.5-12

Key No.	Part No.	Description
11	817288	Pin Gear
12	*	Screw hex Hd. M16 x 2.0-35
13	817290-3	Clamp Table
14	817777-3	Arm Table w/Scale
15	817575-1	Table
16	817294-2	Clamp Column
17	817350	Gear Helical
18	817349	Worm Elevation
19	826438	Wrench Hex 24mm

* Standard hardware item - may be purchased locally.