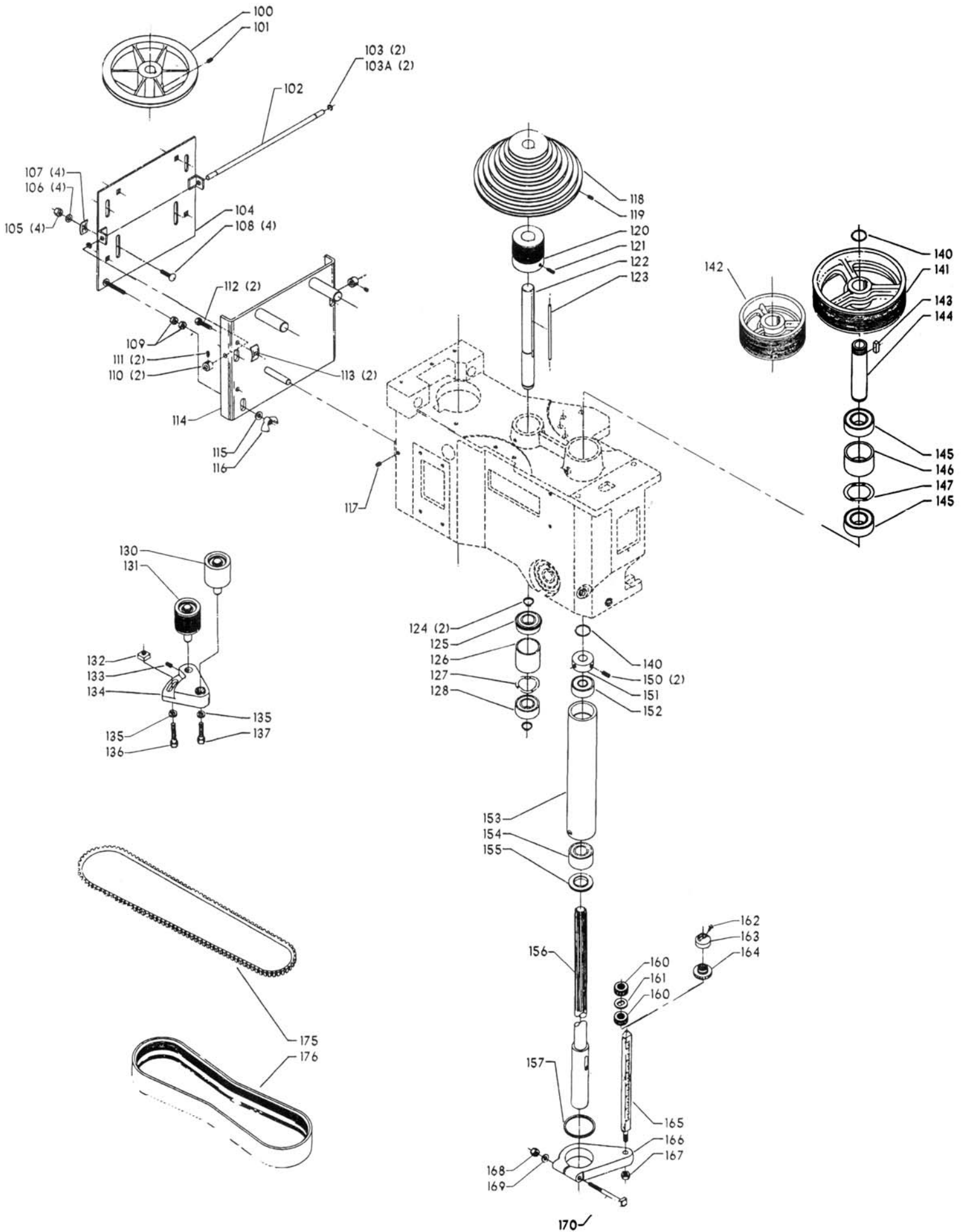


REPLACEMENT PARTS

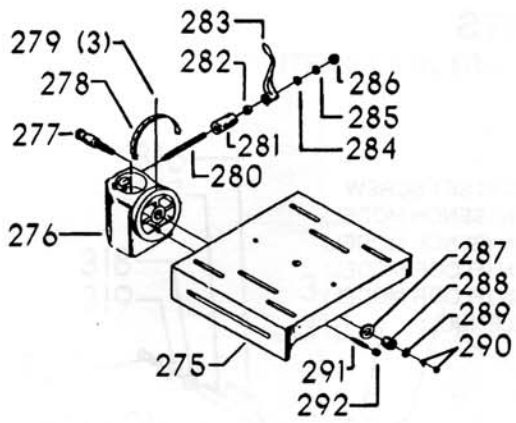
REF NO	PART NUMBER	DESCRIPTION
1	1200324	REAR GUARD, INCL:
2	901-02-010-0593	#10-24 X 3/8" ROUND HD SCREW
2A	904-03-020-1775	3/16" INT TOOTH WASHER
3	902-01-120-1216	#10-24 HEX NUT
4	961-04-012-0520	CATCH
5	402-06-027-5001	KNOB
6	901-02-010-0541	#10-24 X 3/4" ROUND HD SCREW
7	402-04-016-5001	BUMPER
8	902-03-050-2974	#10-24 SPEED NUT
9	402-06-031-5004	JACKSHAFT SHIELD
10	0907034	#10-24 X 3/8" TRUSS HD SCREW
11	902-03-050-2974	#10-24 SPEED NUT
12	402-00-752-0001	WARNING LABEL
13	402-07-104-5004	SPACER
14	901-05-193-1196	#10 X 1" TRUSS HD SCREW
15	402-06-054-5002	FRONT GUARD
16	402-06-037-0001	DIAL PLATE (3:1 RATIO)
16	402-06-037-0002	DIAL PLATE (2:1 RATIO)
17	901-06-450-2250	#04 X 3/16" ROUND HD SCREW
20	402-06-014-5008	GUARD MOUNTING BRACKET
21	902-01-010-1300	5/16-18 HEX NUT
22	0906485	#14 X 5/8" TRUSS HD SCREW
23	0906482	NUT
24	901-04-150-1107	5/16-18 X 1" HEX SOC SET SCREW
25	402-06-057-5001	HEAD
26	901-02-010-0512	5/16-18 X 1/2" ROUND HD SCREW
27	429-01-004-0004	CABLE CLAMP
28	902-01-010-5446	5/8-11 HEX NUT
29	1200228	COLUMN CLAMP
30	905-01-010-2718	3/16" X 3/4" SPRING PIN
31	901-01-061-9534	5/8-11 X 8" HEX HD SCREW
32	904-01-010-1620	FLAT WASHER
33	901-01-060-0605	5/16-18 X 1/2" HEX HD SCREW
34	401-04-031-5005	COVER PLATE
35	901-02-010-0912	1/4-20 X 4 1/2" ROUND HD SCREW
36	402-07-072-5001	COVER PLATE
37	904-02-020-2093	1/4" LOCK WASHER
38	902-01-120-1034	1/4-20 HEX NUT
39	904-02-020-1704	3/8" LOCK WASHER
40	901-01-060-0648	3/8-16 X 1 1/4" HEX HD SCREW
41	905-01-010-6745	3/16" X 1 7/8" SPRING PIN
42	402-06-107-5002	HUB
43	1202620	ROD ASSEMBLY, INCL:
44	1201641	KNOB - SLIP ON (<i>Current Models Only</i>)
44A	931-01-011-4796	KNOB - SCREW ON (<i>Early Models Only</i>)
45	402-07-106-5026	PINION SHAFT
46	952-01-121-3274	SPRING PIN
47	402-04-031-5002	SWITCH OPENING COVER
48	901-02-010-0553	#06-32 X 1/2" ROUND HD SCREW
49	905-04-071-4485	PLUG
50	1200227	QUILL LOCK
51	905-04-071-4485	PLUG
52	901-09-081-5210	QUILL ADJUSTNG SCREW
53	402-06-104-5001	SPECIAL WASHER
54	901-02-010-0503	1/4-20 X 5/8" ROUND HD SCREW
55	905-01-010-6715	3/16" X 5/8" SPRING PIN
56	401-02-079-5001	PINION RETAINER
57	901-03-040-8015	1/4-20 X 1/2" BUTTON HD SCREW
58	928-08-012-1766	RETURN SPRING
59	401-04-031-5001	SPRING HOUSING
60	904-01-010-1622	FLAT WASHER
61	902-01-020-1226	5/8-18 JAM NUT
62	901-04-150-0231	5/16-18 X 3/8" HEX SOC SET SCREW



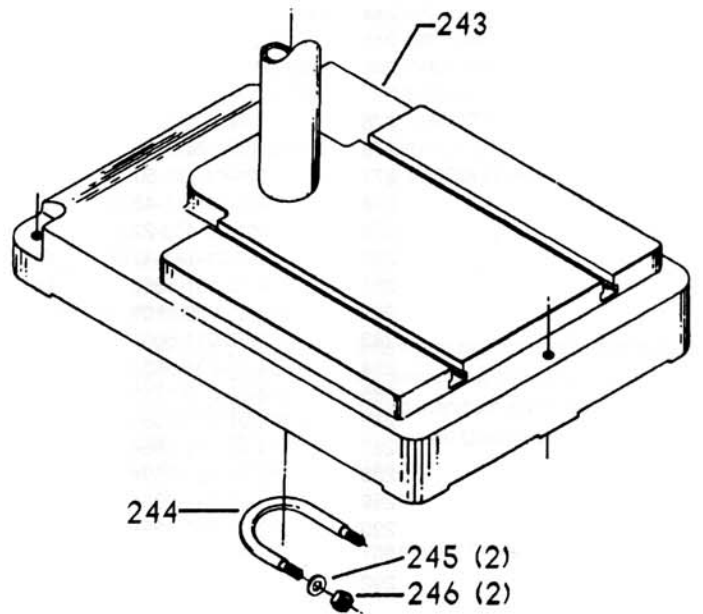
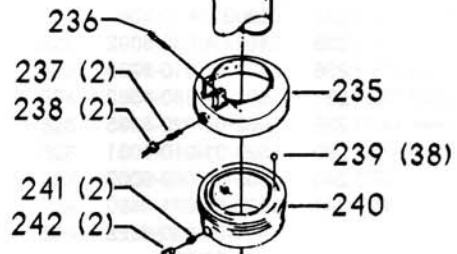
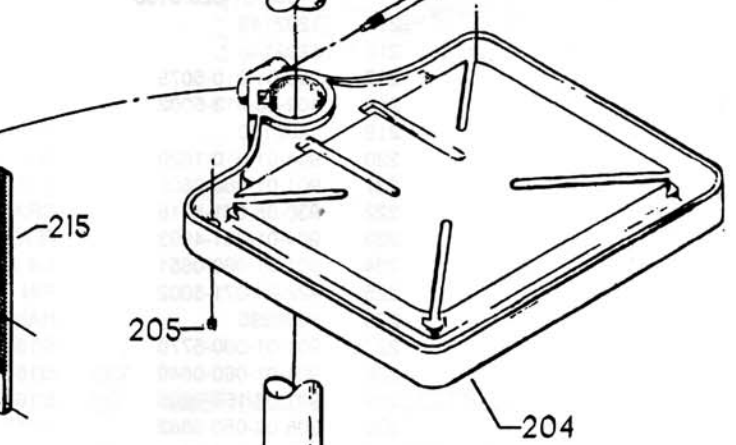
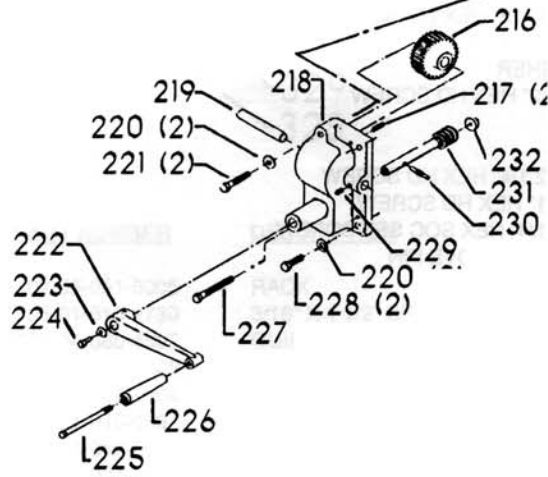
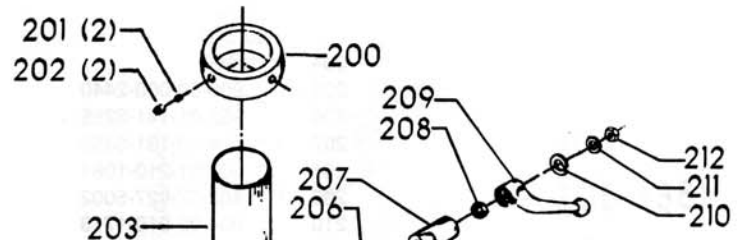
REPLACEMENT PARTS

REF NO	PART NUMBER	DESCRIPTION	REF NO	PART NUMBER	DESCRIPTION
100	1200229	MOTOR PULLEY, INCL:	*	1200276	SPINDLE PULLEY (2:1 RATIO),
101	901-04-150-1185	1/4-20 X 5/16" HEX SOC SET SCREW			CONST OF:
102	402-07-106-5006	SHAFT	140	0906467	RING
103	904-15-013-1024	RET RING (<i>Current Models Only</i>)	142	402-06-130-5013	SPINDLE PULLEY (2:1 RATIO)
103A	904-15-011-7105	EXT RET RING (<i>Early Models Only</i>)	143	927-03-010-2688	KEY
104	1200355	MOTOR PLATE	144	1200236	SHAFT
105	902-01-010-1300	5/16-18 HEX NUT	145	920-04-021-6559	BALL BEARING
106	904-01-010-1620	FLAT WASHER	146	1200204	SPACER
107	902-03-000-2951	5/16-18 PUSH NUT	147	0906484	WASHER
108	901-11-020-0808	5/16-18 X 1" CARRIAGE HD SCREW	*	1200275	SPINDLE PULLEY (3:1 RATIO),
109	902-01-020-5435	5/16-18 JAM NUT			CONST OF:
110	426-03-388-0001	COLLAR (<i>Early Models Only</i>) ASSY, INCL:	140	0906467	RING
111	901-04-150-0208	1/4-20 X 1/4" HEX SOC SET SCREW	141	402-06-130-5008	SPINDLE PULLEY (3:1 RATIO)
112	901-01-060-0649	5/16-18 X 1" HEX HD SCREW (<i>Used To Mount Motor Starter</i>)	143	927-03-010-2688	KEY
113	902-03-000-2951	5/16-18 PUSH NUT (<i>Used To Mount Motor Starter</i>)	144	1200236	SHAFT
114	1200035	MOTOR PLATE ASSY	145	920-04-021-6559	BALL BEARING
115	904-01-010-1620	FLAT WASHER	146	1200204	SPACER
116	902-04-010-1403	5/16-18 WING NUT	147	0906484	WASHER
117	901-04-150-0206	5/16-18 X 5/16" HEX SOC SET SCREW	*	1200284	QUILL ASSY, CONST OF:
118	1200230	JACKSHAFT PULLEY, INCL:	150	901-04-150-0217	5/16-18 X 1/2" HEX SOC SET SCREW
119	901-04-150-1185	1/4-20 X 5/16" HEX SOC SET SCREW	151	904-10-181-2409	COLLAR
120	1200279	PULLEY	152	920-04-020-5348	BALL BEARING
121	901-04-150-0202	1/4-20 X 1/2" HEX SOC SET SCREW	153	402-06-077-5001	QUILL
122	1200278	JACKSHAFT	154	920-07-080-5334	BALL BEARING
123	1200234	ROD	155	401-04-036-5001	FLINGER COLLAR
124	904-15-010-7025	EXT RET RING	156	1200302	SPINDLE
125	920-04-021-5116	BALL BEARING	157	904-07-061-2942	CUSHION RING
126	1200246	SPACER	*	1200223	STOP ASSY, CONST OF:
127	928-06-010-7352	WAVE WASHER	160	402-12-068-5001	KNURLED NUT (<i>Current Models Only</i>)
128	920-04-020-5360	BALL BEARING	161	904-01-103-1317	FLAT WASHER (<i>Current Models Only</i>)
130	1200215	FIXED PULLEY ASSY	162	901-04-260-1534	#06-32 X 1/4" THUMB SCREW (<i>Early Models Only</i>)
131	1200216	ADJ PULLEY ASSY	163	402-04-012-5001	HOLDING NUT (<i>Early Models Only</i>)
132	0903893	NUT	164	402-04-088-5005	MICRO NUT (<i>Early Models Only</i>)
133	901-04-150-0231	5/16-18 X 3/8" HEX SOC SET SCREW	165	402-07-108-5004	ROD
134	402-06-072-5006	IDLER MOUNTING PLATE	166	402-06-014-5009	BRACKET
135	904-02-020-1704	3/8" LOCK WASHER	167	902-01-020-5433	3/8-16 JAM NUT
136	901-01-060-0617	3/8-16 X 1 1/2" HEX HD SCREW	168	902-01-010-1300	5/16-18 HEX NUT
137	901-01-060-0648	3/8-16 X 1 1/4" HEX HD SCREW	169	904-01-010-1620	FLAT WASHER
			170	401-04-112-5001	SPECIAL BOLT
			175	1200232	BELT
			176	1200218	BELT
				426-07-014-5002	LVC MOUNTING BRACKET

NOT SHOWN ASSEMBLED
NOT SHOWN



20-660 TILT TABLE



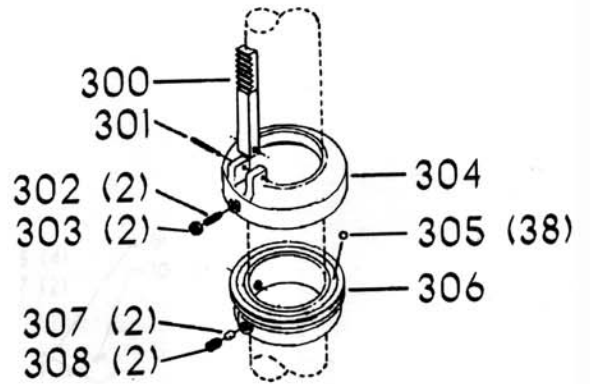
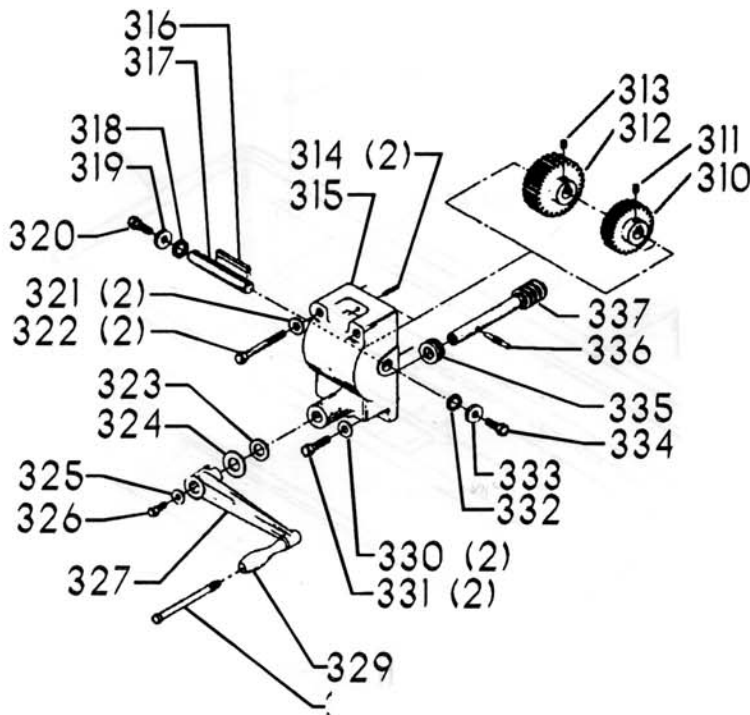
REPLACEMENT PARTS

<u>REF</u> <u>NO</u>	<u>PART NUMBER</u>	<u>DESCRIPTION</u>
200	401-04-089-5001	STOP COLLAR
201	905-04-071-4480	LOCK PLUG
202	901-04-190-6228	1/2-13 X 1/2" HEX SOC SET SCREW
203	20-625	3-3/4 X 33" COLUMN (BENCH MODEL)
203	20-626	3-3/4 X 42" COLUMN (BENCH MODEL)
203	20-627	3-3/4 X 66" COLUMN (FLOOR MODEL)
203	20-628	3-3/4 X 78" COLUMN (FLOOR MODEL)
204	20-650	PRODUCTION TABLE, INCL:
205	906-00-000-2440	PIPE PLUG
206	952-01-141-3285	STUD
207	904-10-131-5359	LOCKING PLUG
208	902-01-210-1084	5/8-11 LOCK NUT
209	402-07-027-5002	LOCK LEVER
210	904-02-010-1713	LOCK WASHER
211	904-01-031-5651	5/8" FLAT WASHER
212	902-01-020-9103	5/8-11 JAM NUT
215	1202149	GEAR RACK
216	1202148	GEAR
217	905-01-010-5075	1/4" X 3/4" SPRING PIN
218	402-06-013-5002	GEAR BOX
219	1202150	SHAFT
220	904-01-010-1620	FLAT WASHER
221	901-01-060-0609	5/16-18 X 1 1/2" HEX HD SCREW
222	930-05-071-5918	CRANK
223	904-01-031-4993	FLAT WASHER
224	901-01-060-0651	1/4-28 X 1/2" HEX HD SCREW
225	422-04-071-5002	PIN
226	1086395	HANDLE
227	901-01-060-5770	5/16-18 X 2 1/4" HEX HD SCREW
228	901-01-060-0649	5/16-18 X 1" HEX HD SCREW
229	901-04-150-0205	5/16-18 X 1/4" HEX SOC SET SCREW
230	905-02-050-6862	1/4" X 1 1/4" GROOVE PIN
231	1202147	WORM GEAR
232	1202154	THRUST BEARING
235	401-04-089-5002	SUPPORT
236	905-01-010-2730	3/16" X 1 1/2" SPRING PIN
237	901-04-380-4562	GUIDE SCREW
238	902-01-020-5435	5/16-18 JAM NUT
239	921-01-010-0031	STEEL BALL
240	401-04-089-5003	SUPPORT
241	905-04-071-4480	LOCK PLUG
242	901-04-190-6228	1/2-13 X 1/2" HEX SOC SET SCREW
243	401-04-005-5002	BASE
244	401-04-027-5001	U-BOLT
245	904-01-032-2476	11/16" FLAT WASHER
246	902-01-010-1282	1/2-13 HEX NUT
	20-660	TILT TABLE, CONST OF:
275	401-04-091-5007	TILT TABLE
276	401-04-314-5005	BRACKET ASSY, INCL:
277	401-04-111-5001	STUD
278	951-02-011-4326	TILT SCALE
279	901-06-450-2250	#04 X 3/16" ROUND HD SCREW
280	952-01-141-3285	STUD
281	904-10-131-5359	LOCKING PLUG
282	902-01-020-9103	5/8-11 JAM NUT
283	402-07-027-5002	LOCK LEVER
284	904-01-031-5651	5/8" FLAT WASHER
285	904-02-010-1713	LOCK WASHER
286	902-01-210-1084	5/8-11 LOCK NUT
287	904-01-031-5654	FLAT WASHER
288	902-01-201-2594	7/8-8 HEX NUT
289	904-01-031-2901	WASHER
290	902-01-020-1226	5/8-18 JAM NUT
291	401-04-071-5003	LOCKING PIN, INCL:
292	902-01-010-1232	7/16-20 JAM NUT

NOT SHOWN ASSEMBLED

REPLACEMENT PARTS

ITEMS ILLUSTRATED BELOW FOR USE WITH EARY MODELS ONLY



REF NO	PART NUMBER	DESCRIPTION	REF NO	PART NUMBER	DESCRIPTION
300	402-06-051-5005	RACK	320	901-01-060-0663	5/16-24 X 3/4" HEX HD SCREW
301	905-01-010-2730	3/16" X 1 1/2" SPRING PIN	321	904-01-010-1620	FLAT WASHER
302	901-04-380-4562	GUIDE SCREW	322	901-01-060-5770	5/16-18 X 2 1/4" HEX HD SCREW
303	902-01-020-5435	5/16-18 JAM NUT	323	904-07-071-4214	5/8" WASHER
304	401-04-089-5002	SUPPORT	324	904-01-010-1622	FLAT WASHER
305	921-01-010-0031	STEEL BALL	325	904-01-031-4993	FLAT WASHER
306	401-04-089-5003	SUPPORT	326	901-01-060-0651	1/4-28 X 1/2" HEX HD SCREW
307	905-04-071-4480	LOCK PLUG	327	439-01-067-5002	CRANK
308	901-04-190-6228	1/2-13 X 1/2" HEX SOC SET SCREW	328	422-04-071-5002	PIN
310	401-04-351-5002	GEAR ASSY, INCL:	329	1086395	HANDLE
311	901-04-150-0208	1/4-20 X 1/4" HEX SOC SET SCREW	330	904-01-010-1620	FLAT WASHER
312	401-04-351-5003	GEAR ASSY, INCL:	331	901-01-060-0649	5/16-18 X 1" HEX HD SCREW
313	901-04-150-0208	1/4-20 X 1/4" HEX SOC SET SCREW	332	904-07-071-4230	5/8" WASHER
314	905-02-010-5030	3/16" X 3/4" GROOVE PIN	333	904-10-031-5381	WASHER
315	402-06-013-5001	HOUSING	334	901-01-060-0663	5/16-24 X 3/4" HEX HD SCREW
316	927-03-010-2688	1 3/4" KEY	335	920-52-010-7291	THRUST BEARING
317	401-04-106-5007	GEAR SHAFT	336	905-02-050-6862	1/4" X 1 1/4" GROOVE PIN
318	904-07-071-4230	5/8" WASHER	337	401-04-051-5002	WORM GEAR
319	904-10-031-5381	WASHER			

STANDARD SAFETY EQUIPMENT

In order to promote tool safety, Delta International Machinery Corp. strictly enforces the policy of repairing or replacing any damaged or missing standard safety equipment on machines presented to Delta Authorized Service Center for service/repairs. Any product which is presented to a Delta Authorized Service Center for repairs which contains missing or damaged standard safety equipment will have that equipment repaired or replaced and the customer will be charged for any such service/repairs. Customers can avoid such charges only if the missing safety component is supplied to the service center at the time of repair.

This parts list is provided to aid in obtaining service parts. Copies of the instruction and maintenance literature can be obtained through the Delta Technical Publications Department or through your local service outlet.