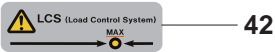
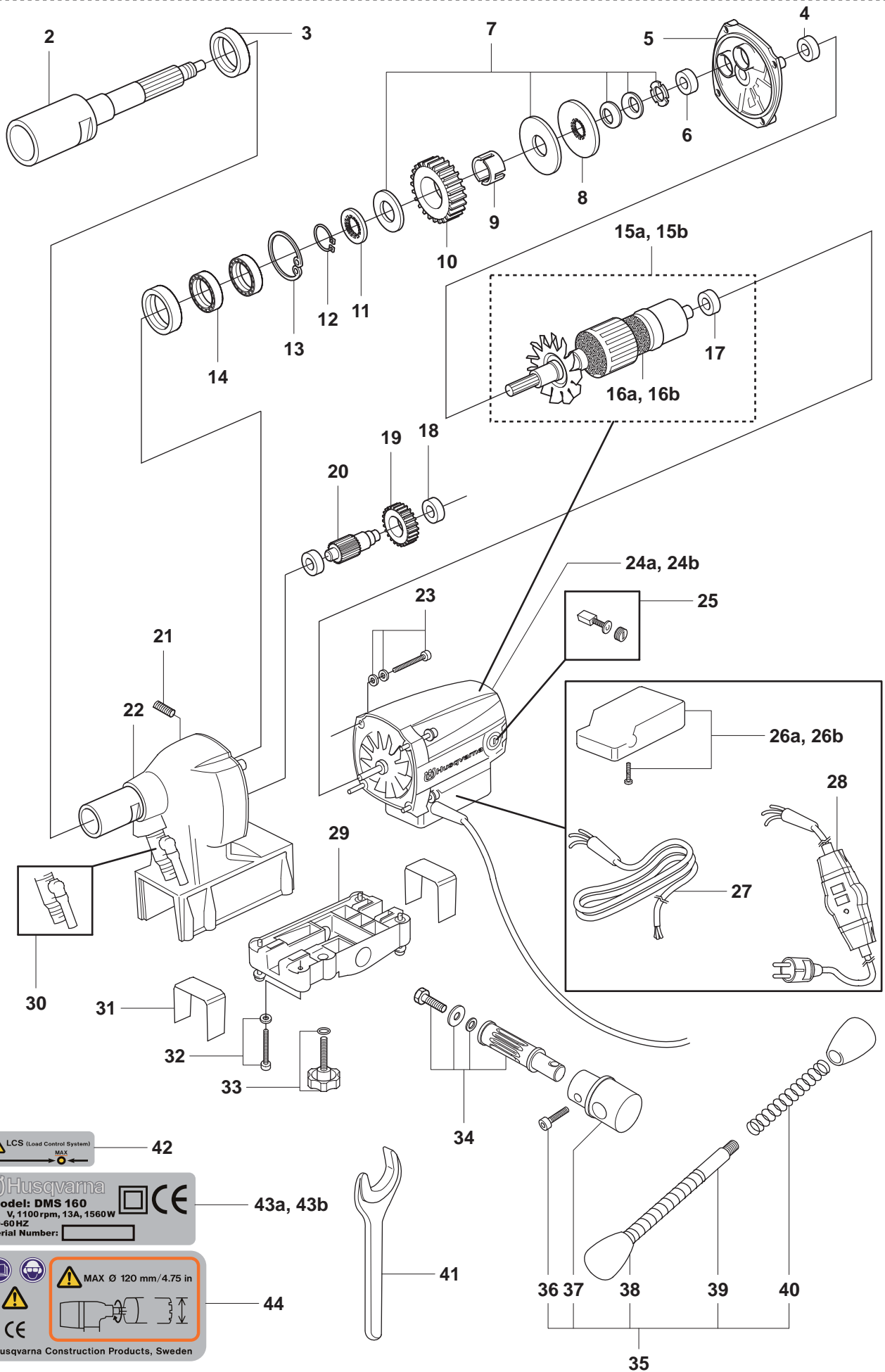
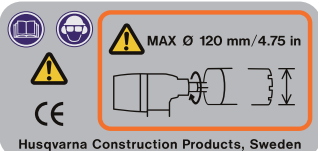


DMS 160  
DMS 160 A  
DMS 160 AT  
DMS 160 GYRO

Reservdelar  
Spare parts  
Ersatzteile  
Pieces de rechange  
Piezas de repuesto  
Ricambi  
Peças sobresselente

**A****DMS 160****1a, 1b**

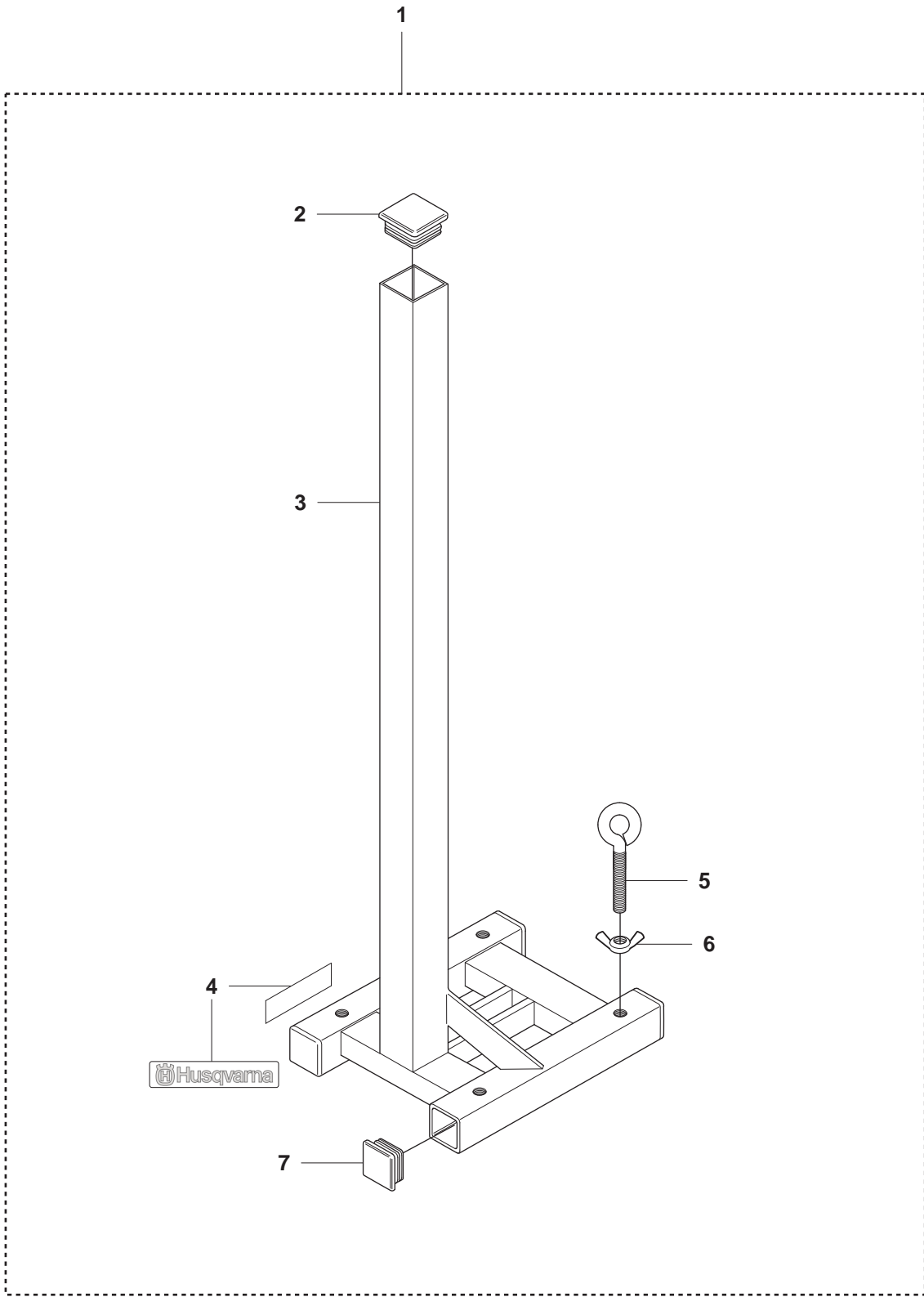
**Husqvarna**  
**Model: DMS 160**  
 V, 1100 rpm, 13A, 1560W  
 50-60 HZ  
 Serial Number:



Husqvarna Construction Products, Sweden

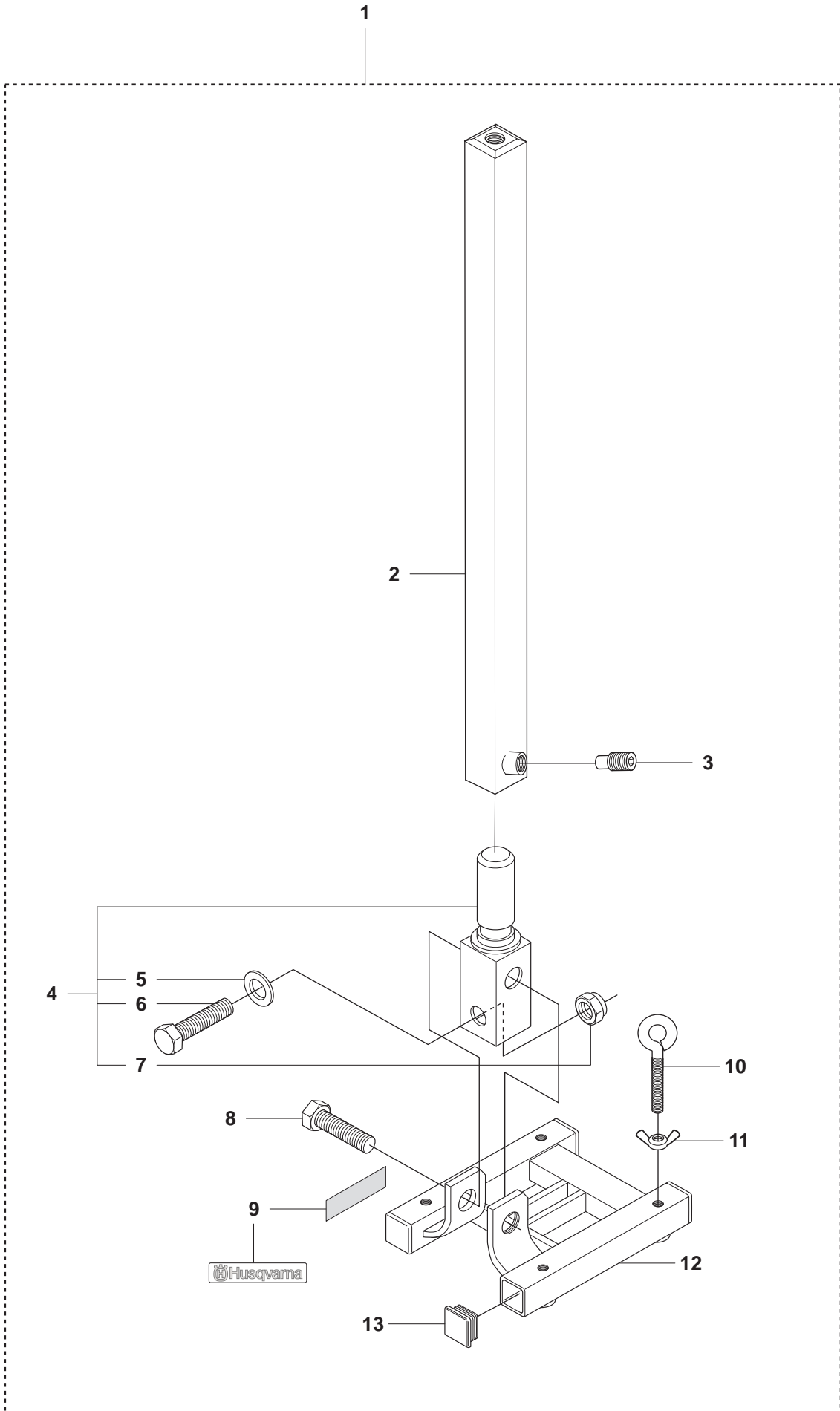
**Page A**  
**DMS 160**

| <b>Pos.</b> | <b>Part No.</b> | <b>Description</b>      | <b>Quantity</b> | <b>Notes</b>                   |
|-------------|-----------------|-------------------------|-----------------|--------------------------------|
| 1a          | 544 42 76-01    | DMS160 110V ASSY        | 1               | Incl. 2-7, 8-15a, 18-35, 41-44 |
| 1b          | 544 42 76-02    | DMS160 230V ASSY        | 1               | Incl. 2-7, 8-15b, 18-35, 41-44 |
| 2           | 544 83 73-01    | SHAFT                   | 1               |                                |
| 3           | 544 83 74-01    | SEALING                 | 2               |                                |
| 4           | 544 83 87-01    | BALL BEARING            | 1               |                                |
| 5           | 544 83 86-01    | COVER GEAR BOX          | 1               |                                |
| 6           | 544 83 85-01    | BALL BEARING            | 1               |                                |
| 7           | 544 83 88-01    | SMC COMPLETE            | 1               |                                |
| 8           | 544 83 83-01    | SPACER                  | 1               |                                |
| 9           | 544 83 81-01    | SLEEVE                  | 1               |                                |
| 10          | 544 83 80-01    | GEAR                    | 1               |                                |
| 11          | 544 83 78-01    | SPACER                  | 1               |                                |
| 12          | 544 83 77-01    | RETAINING RING          | 1               |                                |
| 13          | 544 83 76-01    | RETAINING RING          | 1               |                                |
| 14          | 544 83 75-01    | BALL BEARING            | 2               |                                |
| 15a         | 544 83 89-01    | ROTOR 110V CPL          | 1               | Incl. 16a, 17                  |
| 15b         | 544 83 89-02    | ROTOR 230V CPL          | 1               | Incl. 16b, 17                  |
| 16a         | 544 83 91-01    | ROTOR 110V              | 1               |                                |
| 16b         | 544 83 91-02    | ROTOR 230V              | 1               |                                |
| 17          | 544 83 85-01    | BALL BEARING            | 1               |                                |
| 18          | 544 83 85-01    | BALL BEARING            | 2               |                                |
| 19          | 544 83 92-01    | GEAR                    | 1               |                                |
| 20          | 544 83 95-01    | SHAFT                   | 1               |                                |
| 21          | 544 83 99-01    | SCREW                   | 1               |                                |
| 22          | 544 43 24-01    | GEARHOUSE CPL           | 1               |                                |
| 23          | 544 83 98-01    | SCREW KIT               | 4               |                                |
| 24a         | 544 42 88-01    | MOTORHOUSE 110V CPL     | 1               |                                |
| 24b         | 544 42 88-02    | MOTORHOUSE 230V CPL     | 1               |                                |
| 25          | 544 42 91-01    | CARBON BRUSH            | 2               |                                |
| 26a         | 544 42 95-01    | ELECTRONIC BOX 110V CPL | 1               |                                |
| 26b         | 544 42 95-02    | ELECTRONIC BOX 230V CPL | 1               |                                |
| 27          | 544 13 24-01    | CABLE 110V              | 1               |                                |
| 28          | 544 43 00-01    | CABLE KIT 230V          | 1               |                                |
| 29          | 544 43 01-01    | BACK PLATE CPL          | 1               |                                |
| 30          | 544 43 26-01    | WATER TAP               | 1               |                                |
| 31          | 544 43 30-01    | BUSHING                 | 2               | Incl. two pieces               |
| 32          | 544 84 02-01    | SCREW KIT               | 4               |                                |
| 33          | 544 43 02-01    | LOCKING SCREW           | 1               |                                |
| 34          | 544 43 06-01    | SHAFT CPL               | 1               |                                |
| 35          | 544 43 16-01    | HANDLE CPL              | 1               | Incl. 36-40                    |
| 36          | 544 43 21-01    | SCREW                   | 1               |                                |
| 37          | 544 43 20-01    | SLEEVE                  | 1               |                                |
| 38          | 544 42 80-01    | KNOB                    | 2               |                                |
| 39          | 544 43 17-01    | SHAFT                   | 1               |                                |
| 40          | 544 43 19-01    | SPRING                  | 2               |                                |
| 41          | 544 42 72-01    | SPANNER 27MM            | 1               |                                |
| 42          | 544 42 79-01    | DECAL                   | 1               |                                |
| 43a         | 544 42 77-01    | DECAL 110V              | 1               |                                |
| 43b         | 544 42 77-02    | DECAL 230V              | 1               |                                |
| 44          | 544 42 78-01    | DECAL                   | 1               |                                |



**Page B**  
**DMS 160**

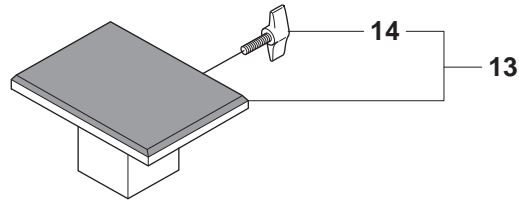
| <b>Pos.</b> | <b>Part No.</b> | <b>Description</b>      | <b>Quantity</b> | <b>Notes</b> |
|-------------|-----------------|-------------------------|-----------------|--------------|
| 1           | 506 40 79-14    | BASE PLATE DMS160A ASSY | 1               | Incl. 2-7    |
| 2           | 531 14 06-20    | PLUG                    | 1               |              |
| 3           | 504 03 04-04    | BASE PLATE DMS160A      | 1               |              |
| 4           | 504 02 10-01    | DECAL                   | 1               |              |
| 5           | 531 14 08-24    | SCREW                   | 4               |              |
| 6           | 544 45 97-01    | WING NUT                | 4               |              |
| 7           | 531 14 08-22    | PLUG                    | 4               |              |



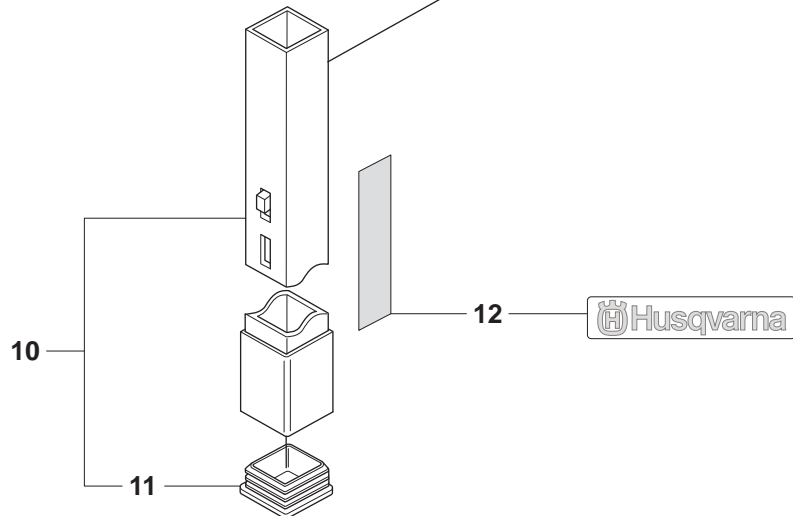
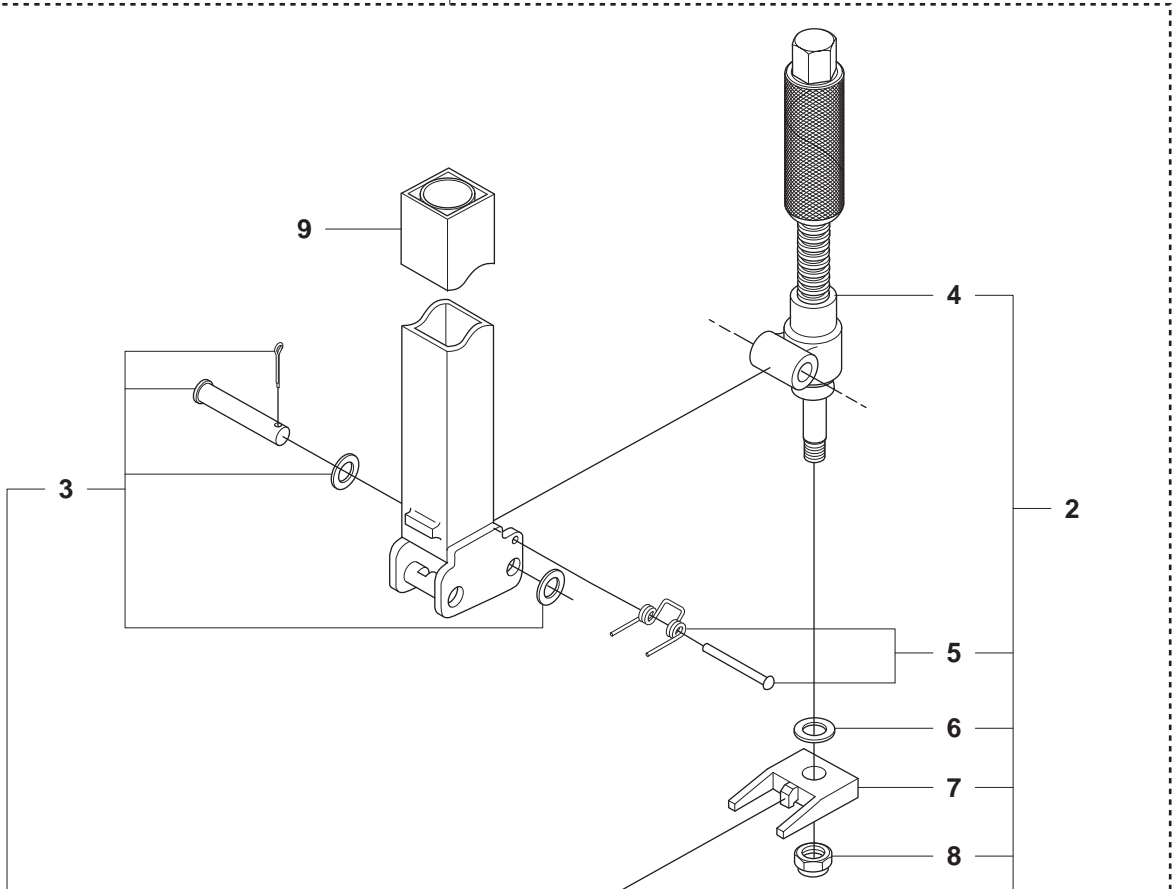
**Page C**  
**DMS 160**

| <b>Pos.</b> | <b>Part No.</b> | <b>Description</b>       | <b>Quantity</b> | <b>Notes</b>    |
|-------------|-----------------|--------------------------|-----------------|-----------------|
| 1           | 506 40 79-15    | BASE PLATE DMS160AT ASSY | 1               | Incl. 2-4, 8-13 |
| 2           | 506 40 11-02    | DRILL RACK DMS           | 1               |                 |
| 3           | 531 14 07-92    | SCREW                    | 1               |                 |
| 4           | 506 40 22-02    | RETAINER CPL             | 1               |                 |
| 5           | 531 14 07-22    | WASHER                   | 1               |                 |
| 6           | 531 14 08-20    | SCREW                    | 1               |                 |
| 7           | 531 14 07-57    | NUT                      | 1               |                 |
| 8           | 531 14 08-21    | SCREW                    | 1               |                 |
| 9           | 504 02 10-01    | DECAL                    | 1               |                 |
| 10          | 531 14 08-24    | SCREW                    | 4               |                 |
| 11          | 544 45 97-01    | WING NUT                 | 4               |                 |
| 12          | 504 03 04-05    | BASE PLATE DMS160AT      | 1               |                 |
| 13          | 531 14 08-22    | PLUG                     | 4               |                 |

**D** DMS 160



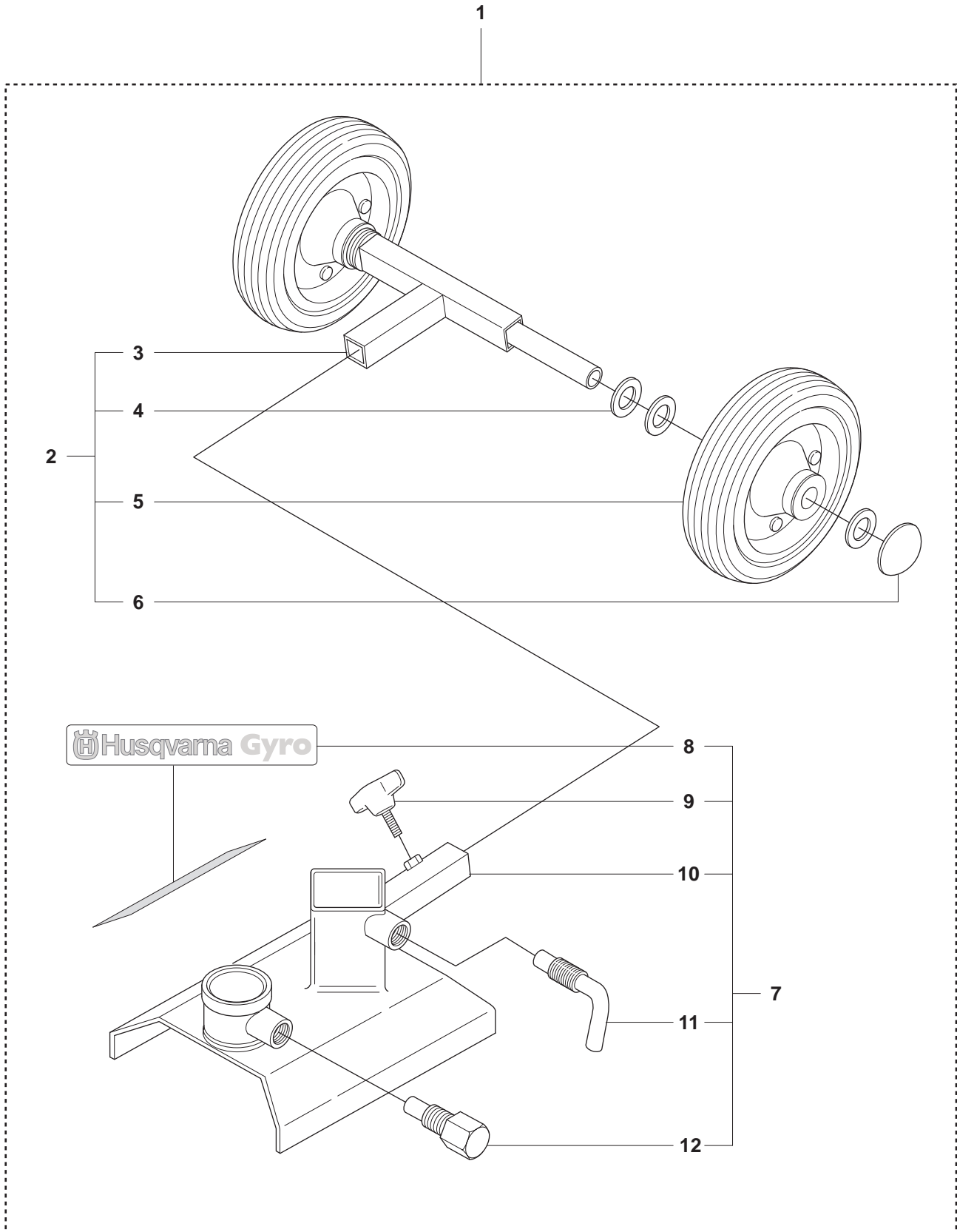
1





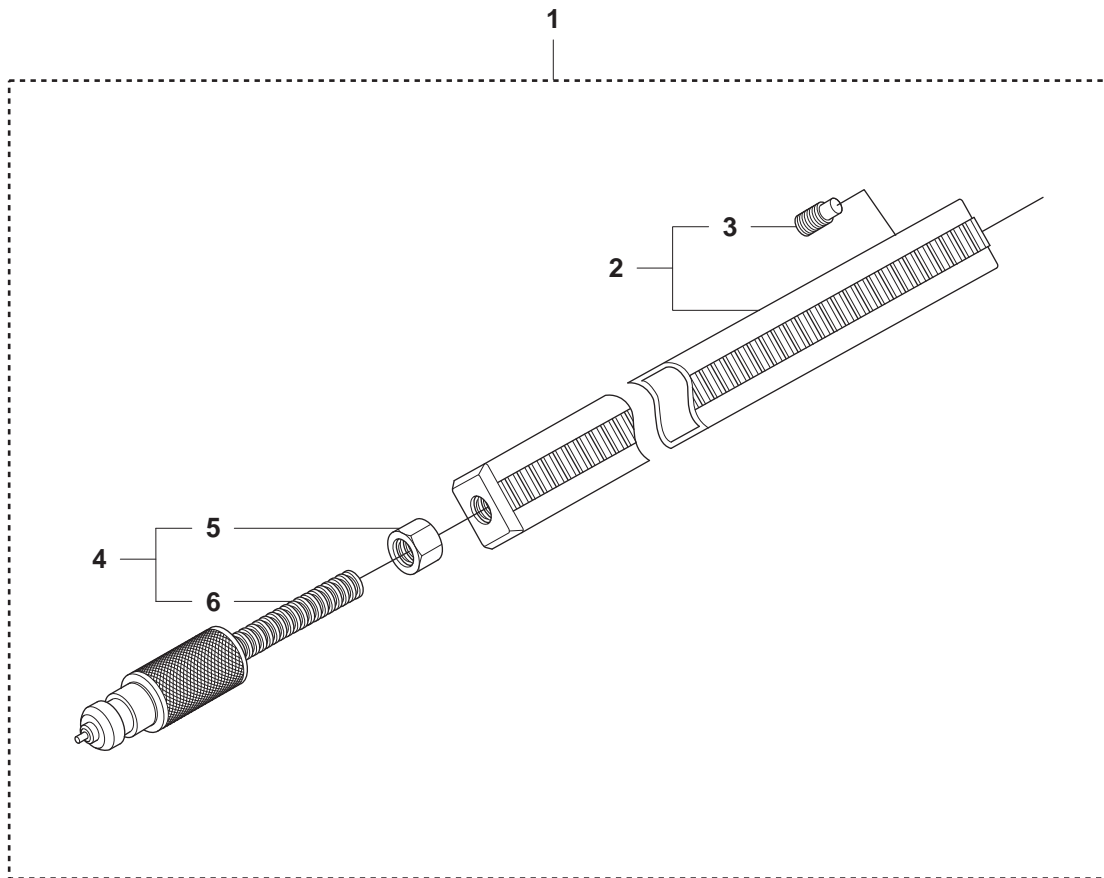
**Page D**  
**DMS 160**

| <b>Pos.</b> | <b>Part No.</b> | <b>Description</b>     | <b>Quantity</b> | <b>Notes</b>       |
|-------------|-----------------|------------------------|-----------------|--------------------|
| 1           | 506 40 83-06    | EXPANDABLE COLUMN ASSY | 1               | Incl. 2, 9, 10, 12 |
| 2           | 506 40 81-06    | ADJUSTER CPL           | 1               | Incl. 3-8          |
| 3           | 506 40 14-03    | BOLT KIT               | 1               |                    |
| 4           | 506 40 81-08    | ADJUSTER               | 1               |                    |
| 5           | 506 40 14-04    | BOLT KIT               | 1               |                    |
| 6           | 531 14 06-13    | WASHER                 | 1               |                    |
| 7           | 531 14 07-80    | FORK                   | 1               |                    |
| 8           | 531 14 06-14    | NUT                    | 1               |                    |
| 9           | 531 14 08-13    | PIPE OUTER             | 1               |                    |
| 10          | 506 40 05-02    | PIPE INNER CPL         | 1               | Incl. 11           |
| 11          | 531 14 07-72    | PLUG                   | 1               |                    |
| 12          | 504 02 10-02    | DECAL                  | 1               |                    |
| 13          | 506 40 84-02    | TOP SUPPORT CPL        | 1               | Incl. 14           |
| 14          | 531 14 06-02    | WING SCREW             | 1               |                    |



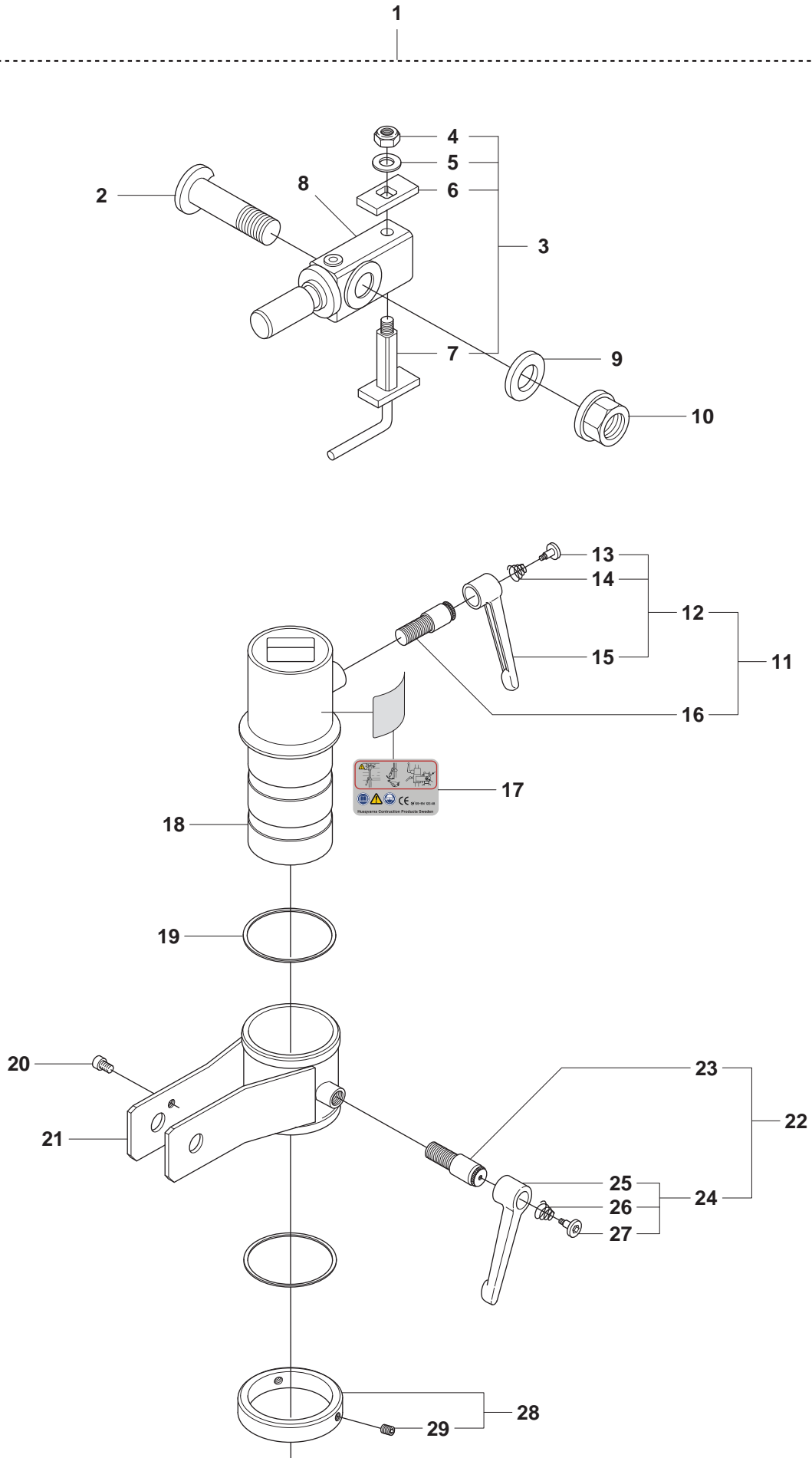
**Page E**  
**DMS 160**

| <b>Pos.</b> | <b>Part No.</b> | <b>Description</b>      | <b>Quantity</b> | <b>Notes</b> |
|-------------|-----------------|-------------------------|-----------------|--------------|
| 1           | 506 40 80-11    | BASE PLATE 40T ASSY     | 1               | Incl. 2, 7   |
| 2           | 506 40 76-11    | SHAFT HOLDER WITH WHEEL | 1               | Incl. 3-6    |
| 3           | 504 02 06-04    | SHAFT HOLDER CPL        | 1               |              |
| 4           | 531 14 06-27    | WASHER                  | 6               |              |
| 5           | 531 14 07-28    | WHEEL                   | 2               |              |
| 6           | 531 14 07-30    | COVER PLATE             | 2               |              |
| 7           | 506 40 79-04    | BASE PLATE 40T CPL      | 1               | Incl. 8-12   |
| 8           | 504 02 10-04    | DECAL                   | 1               |              |
| 9           | 531 14 06-02    | WING SCREW              | 1               |              |
| 10          | 531 14 07-74    | BASE PLATE 40T          | 1               |              |
| 11          | 531 14 06-43    | KNOB                    | 1               |              |
| 12          | 531 14 06-19    | SCREW                   | 1               |              |



**Page F**  
**DMS 160**

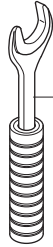
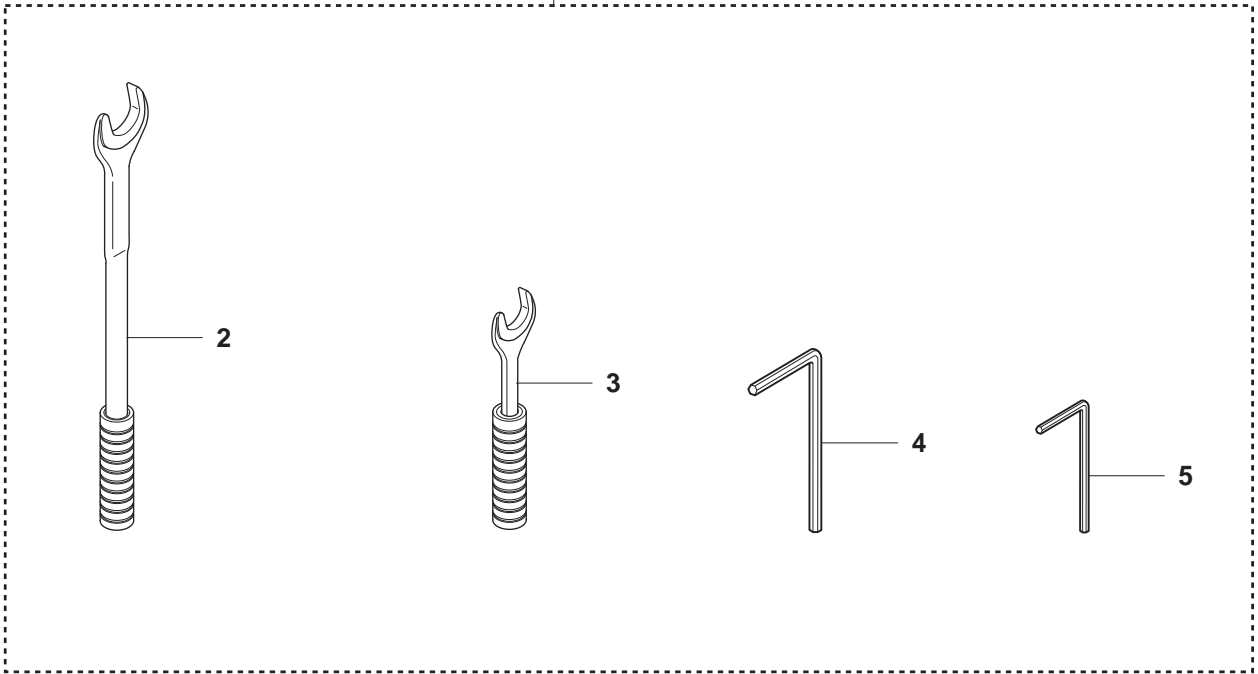
| <b>Pos.</b> | <b>Part No.</b> | <b>Description</b>   | <b>Quantity</b> | <b>Notes</b> |
|-------------|-----------------|----------------------|-----------------|--------------|
| 1           | 506 40 88-06    | DRILL RACK DMS ASSY  | 1               | Incl. 2, 4   |
| 2           | 506 40 11-02    | DRILL RACK DMS       | 1               | Incl. 3      |
| 3           | 531 14 07-92    | SCREW                | 1               |              |
| 4           | 506 40 06-06    | ADJUSTMENT SCREW CPL | 1               | Incl. 5, 6   |
| 5           | 531 14 06-44    | NUT                  | 1               |              |
| 6           | 506 40 06-08    | ADJUSTMENT SCREW     | 1               |              |



**Page G**  
**DMS 160**

| <b>Pos.</b> | <b>Part No.</b> | <b>Description</b>   | <b>Quantity</b> | <b>Notes</b>                |
|-------------|-----------------|----------------------|-----------------|-----------------------------|
| 1           | 506 40 91-05    | GYRO UNIT 40 ASSY    | 1               | Incl. 2, 3, 8-11, 17-22, 28 |
| 2           | 531 14 07-90    | SHAFT                | 1               |                             |
| 3           | 506 40 16-02    | HANDLE CPL           | 1               | Incl. 4-7                   |
| 4           | 531 14 06-00    | NUT                  | 1               |                             |
| 5           | 531 14 07-22    | WASHER               | 1               |                             |
| 6           | 531 14 07-75    | WASHER               | 1               |                             |
| 7           | 531 14 07-89    | HANDLE               | 1               |                             |
| 8           | 544 34 97-02    | RETAINER             | 1               |                             |
| 9           | 531 14 07-87    | WASHER               | 1               |                             |
| 10          | 501 38 01-01    | NUT                  | 1               |                             |
| 11          | 506 40 77-13    | ADJUSTABLE LEVER CPL | 1               | Incl. 12, 16                |
| 12          | 501 38 46-03    | HANDLE CPL           | 1               | Incl. 13-15                 |
| 13          | 501 38 60-01    | SCREW                | 1               |                             |
| 14          | 501 38 47-01    | SPRING               | 1               |                             |
| 15          | 504 01 81-01    | HANDLE               | 1               |                             |
| 16          | 544 23 56-02    | SCREW CPL            | 1               |                             |
| 17          | 544 12 85-01    | DECAL                | 1               |                             |
| 18          | 504 02 31-01    | SLEEVE INNER         | 1               |                             |
| 19          | 531 14 07-99    | WASHER               | 1               |                             |
| 20          | 531 14 08-00    | SCREW                | 1               |                             |
| 21          | 504 02 33-01    | RETAINER             | 1               |                             |
| 22          | 506 40 77-13    | ADJUSTABLE LEVER CPL | 1               | Incl. 23, 24                |
| 23          | 544 23 56-02    | SCREW CPL            | 1               |                             |
| 24          | 501 38 46-03    | HANDLE CPL           | 1               | Incl. 25-27                 |
| 25          | 504 01 81-01    | HANDLE               | 1               |                             |
| 26          | 501 38 47-01    | SPRING               | 1               |                             |
| 27          | 501 38 60-01    | SCREW                | 1               |                             |
| 28          | 506 40 18-02    | RETAINING RING CPL   | 1               | Incl. 29                    |
| 29          | 531 14 06-70    | SCREW                | 2               |                             |

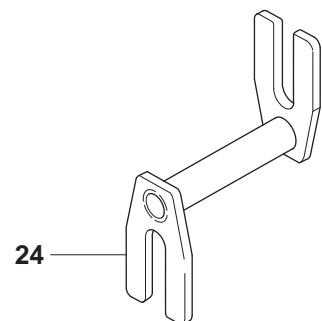
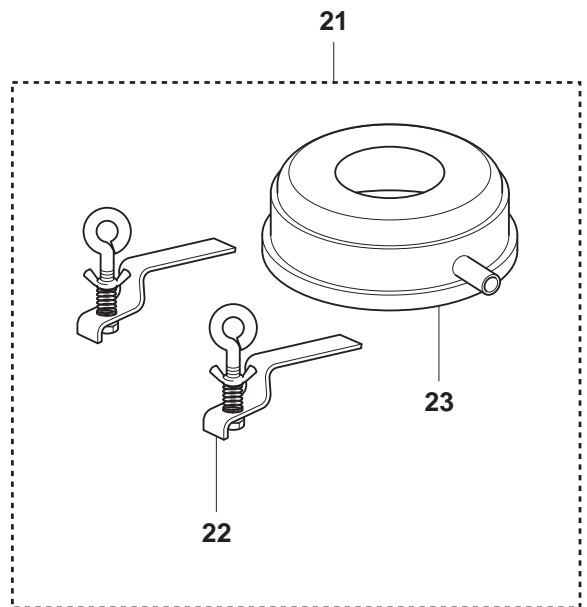
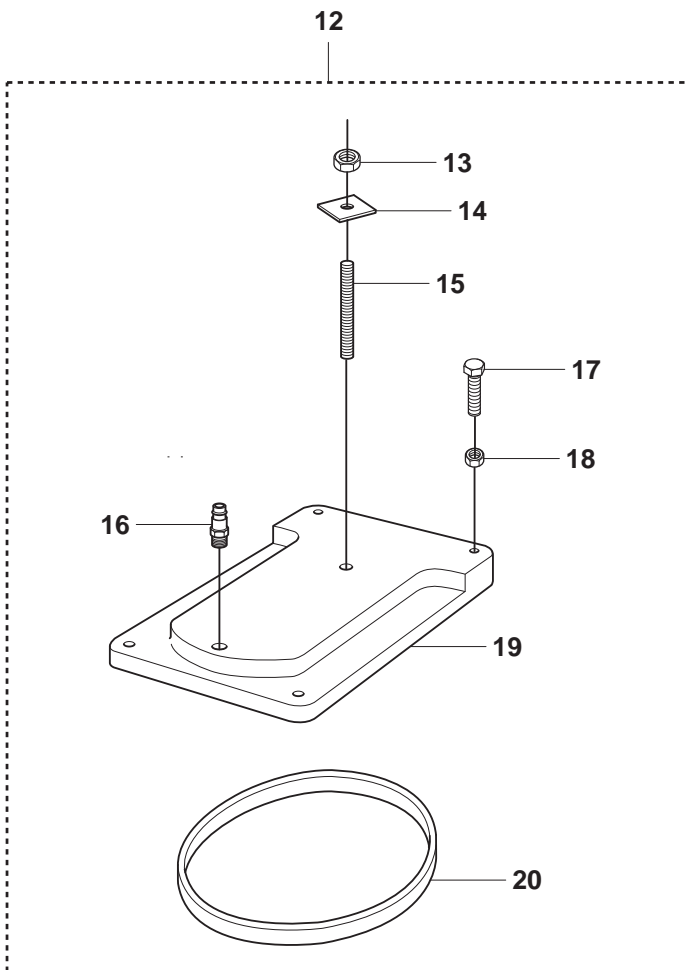
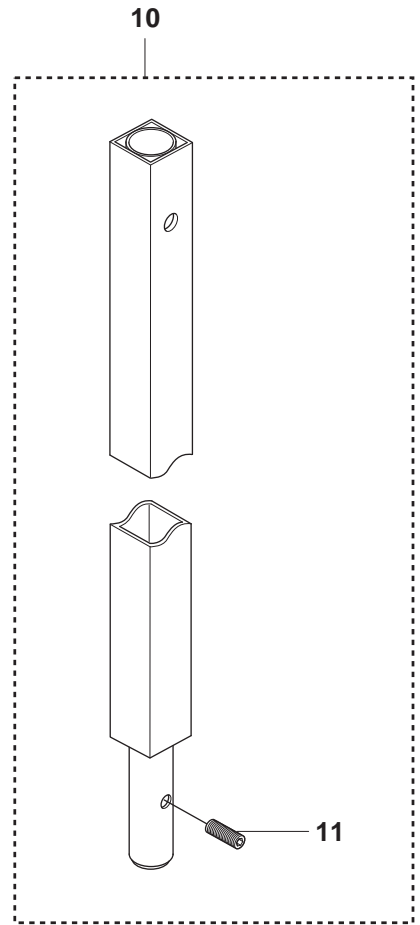
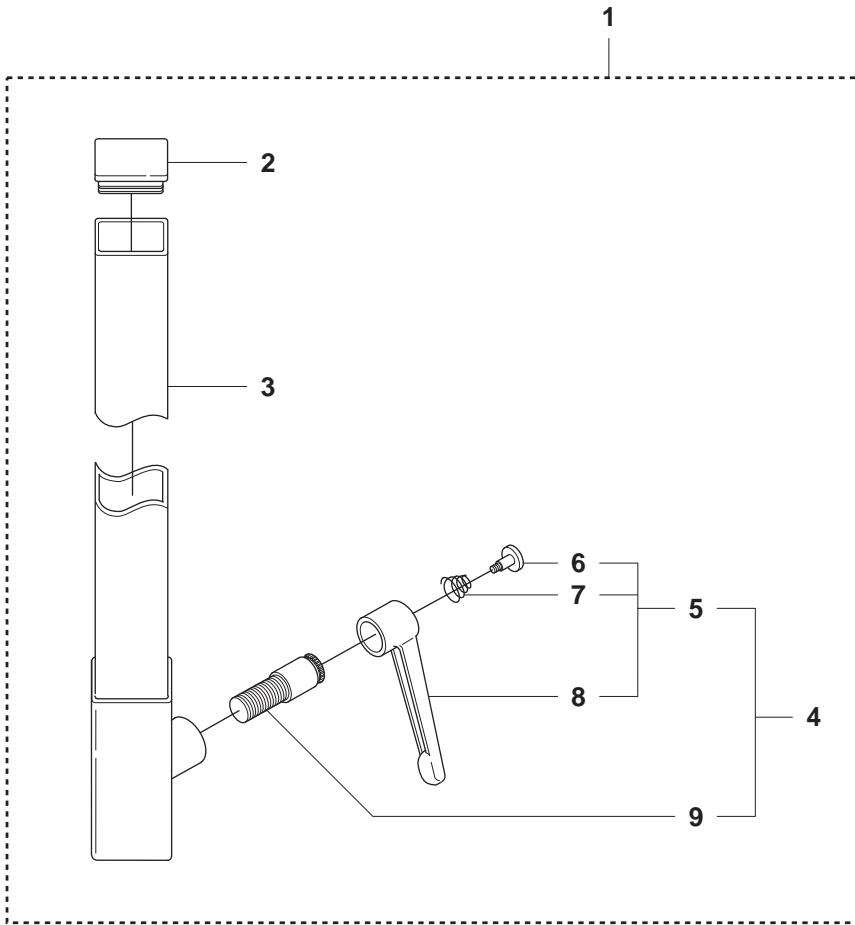
1





**Page H**  
**DMS 160**

| <b>Pos.</b> | <b>Part No.</b> | <b>Description</b> | <b>Quantity</b> | <b>Notes</b> |
|-------------|-----------------|--------------------|-----------------|--------------|
| 1           | 506 40 86-03    | TOOL KIT           | 1               | Incl. 2-5    |
| 2           | 544 22 27-01    | SPANNER 30MM       | 1               |              |
| 3           | 544 22 27-02    | SPANNER 24MM       | 1               |              |
| 4           | 531 14 07-62    | L ALLEN KEY 8MM    | 1               |              |
| 5           | 544 27 98-01    | L ALLEN KEY 6MM    | 1               |              |



**Page J**  
**DMS 160**

| <b>Pos.</b> | <b>Part No.</b> | <b>Description</b>    | <b>Quantity</b> | <b>Notes</b> |
|-------------|-----------------|-----------------------|-----------------|--------------|
| 1           | 506 40 85-06    | EXT. POLE OUTER ASSY  | 1               | Incl. 2-4    |
| 2           | 531 14 06-20    | PLUG                  | 1               |              |
| 3           | 531 14 08-29    | EXT. POLE OUTER       | 1               |              |
| 4           | 506 40 77-13    | ADJUSTABLE LEVER CPL  | 1               | Incl. 5, 9   |
| 5           | 501 38 46-03    | ADJUSTABLE LEVER      | 1               | Incl. 6-8    |
| 6           | 501 38 60-01    | SCREW                 | 1               |              |
| 7           | 501 38 47-01    | SPRING                | 1               |              |
| 8           | 504 01 81-01    | HANDLE                | 1               |              |
| 9           | 544 23 56-02    | SCREW CPL             | 1               |              |
| 10          | 506 40 05-04    | EXT. POLE INNER ASSY  | 1               | Incl. 11     |
| 11          | 531 14 08-31    | SCREW                 | 1               |              |
| 12          | 544 45 84-01    | VACUUM PLATE 300 ASSY | 1               | Incl. 13-20  |
| 13          | 544 96 44-01    | NUT                   | 1               |              |
| 14          | 544 45 89-01    | WASHER                | 1               |              |
| 15          | 544 45 88-01    | SCREW                 | 1               |              |
| 16          | 544 45 87-01    | VACUUM INLET CONNECT  | 1               |              |
| 17          | 502 30 01-01    | ADJUSTING SCREW       | 4               |              |
| 18          | 531 14 08-25    | NUT                   | 4               |              |
| 19          | 544 45 85-01    | VACUUM PLATE 300      | 1               |              |
| 20          | 544 45 86-01    | SEALING RING          | 1               |              |
| 21          | 544 45 93-01    | WATER COLLECTOR ASSY  | 1               | Incl. 22, 23 |
| 22          | 544 46 02-01    | SCREW KIT             | 2               |              |
| 23          | 544 46 01-01    | WATER COLLECTOR       | 1               |              |
| 24          | 531 14 06-46    | ANCHOR BOLT HOLDER    | 1               |              |