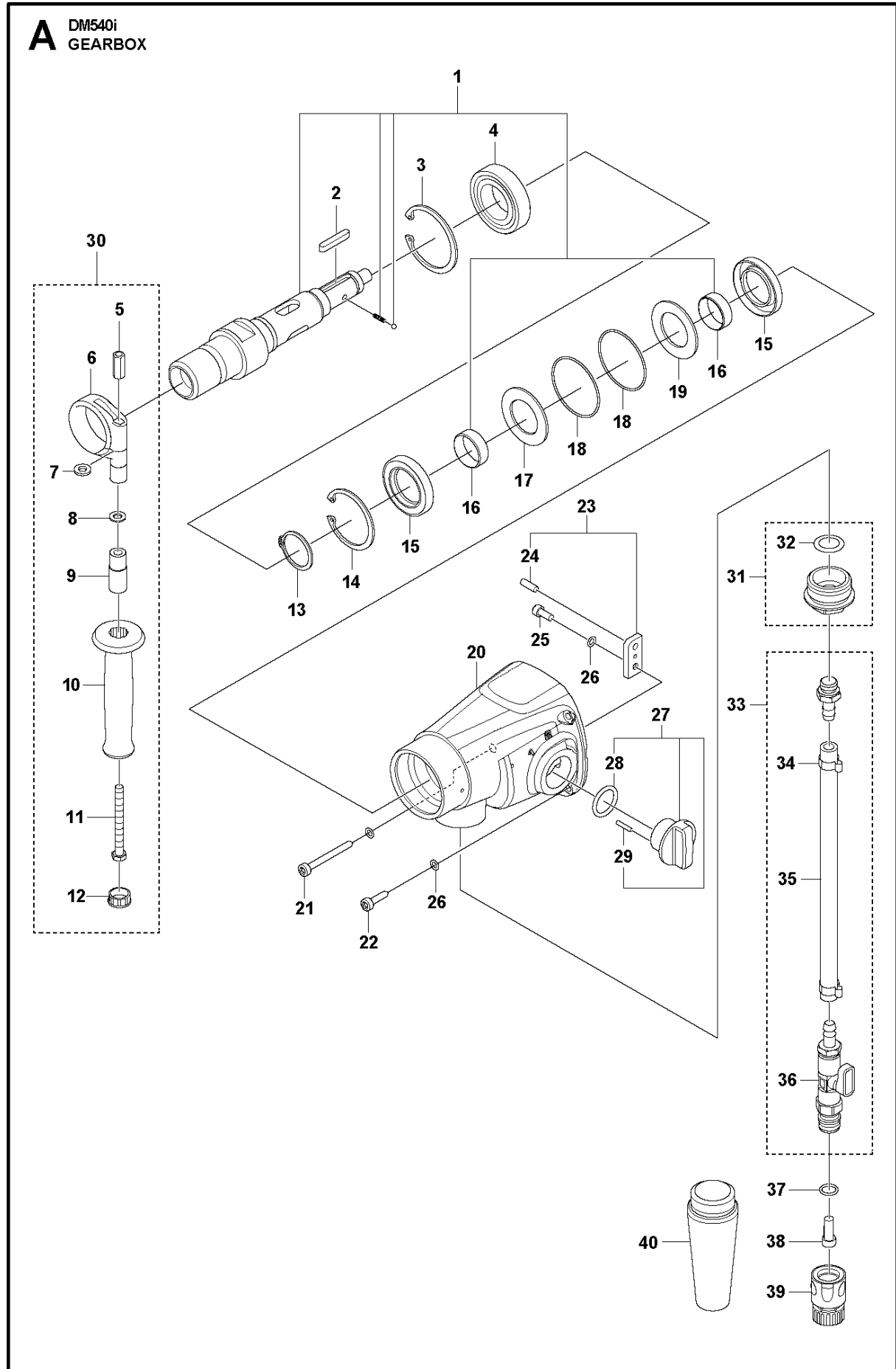




# SPARE PARTS LIST

DRILLING EQUIPMENT

DM540i, 2021-09

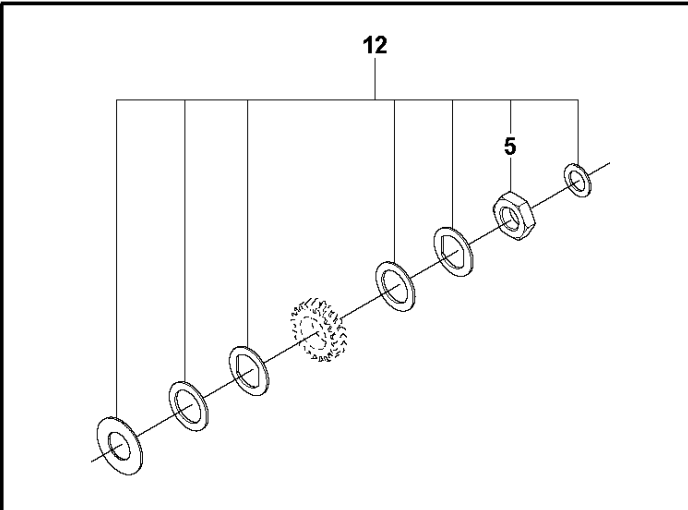
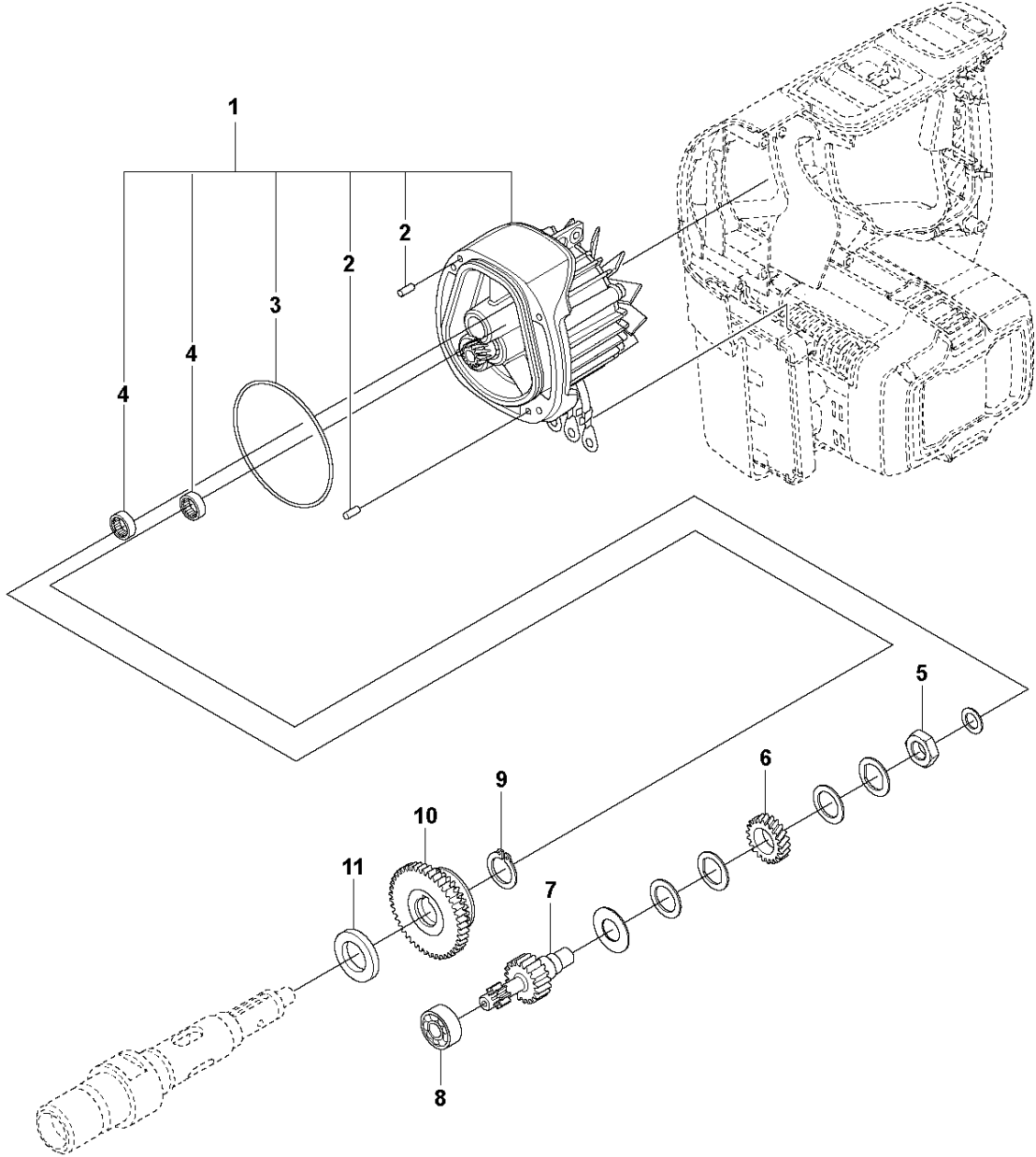


## GEARBOX

DM540i, 2021-09

Ref	Part No	Description	Remark	QTY KIT	
1	599 76 99-03	SPINDLE SHAFT	ASSY 32/28.9 Japan	1	
1	599 76 99-01	SPINDLE SHAFT	"ASSY 1 1/4"" UNC"	1	
2	599 77 24-01	PARALLEL KEY	A5x5x30	1	
3	543 05 27-45	RETAINER RING		1	
4	543 05 27-86	BALL BEARING		1	
5	504 02 34-01	NUT		1	30
6	582 06 26-01	CLAMPING SLEEVE		1	30
7	504 02 77-01	WASHER		1	30
8	543 05 27-16	WASHER		1	30
9	588 92 64-02	SPACER		1	30
10	574 16 94-01	HANDLE		1	30
11	725 25 11-51	SCREW EHHM		1	30
12	574 39 84-01	LID		1	30
13	543 05 27-50	RETAINER RING		1	
14	543 05 27-44	RETAINER RING		1	
15	543 05 27-71	SEAL		2	
16	599 77 18-01	SLEEVE		2	1
17	543 05 29-23	BUSHING		1	
18	599 77 23-01	O-RING	RDR47x1,5	2	
19	543 05 29-24	BUSHING		1	
20	534 19 02-01	GEAR HOUSING		1	
21	534 13 72-01	SCREW	M5x40	1	
22	534 13 73-01	SCREW	M5x20	3	
23	599 76 98-01	LEVER	GEARSHIFT	1	
24	543 05 27-32	PIN		1	23
25	543 05 26-61	SCREW		1	
26	543 05 27-11	WASHER		5	
27	599 76 97-01	GEARSHIFT LEVER		1	
28	598 73 19-01	O-RING		1	27
29	543 05 27-30	PIN		1	27
30	590 86 97-01	HANDLE SUPPORT ASSY		1	
31	501 55 80-01	NUT		1	
32	502 49 65-04	O-RING		1	31
33	501 07 22-01	HOSE ASSY		1	
34	576 12 97-01	HOSE CLAMP		2	33
35	581 89 36-01	HOSE		1	33
36	501 55 80-01	NUT		1	33
37	505 10 35-01	O-RING		1	
38	589 78 07-01	STRAINER		1	
39	503 26 60-03	COUPLER	US	1	
39	503 26 60-04	COUPLER	ROW	1	
40	575 87 22-01	VACUUM SYSTEM		1	

**B** DM540i  
MOTOR

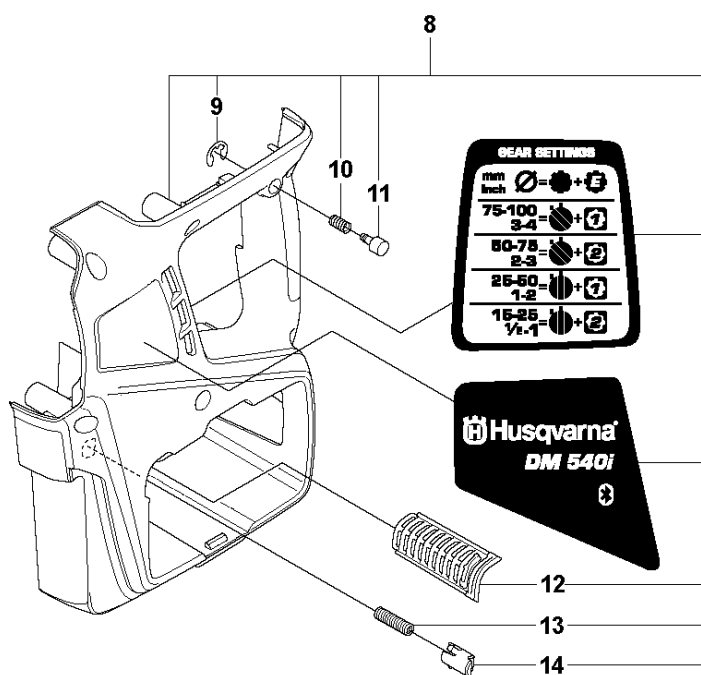
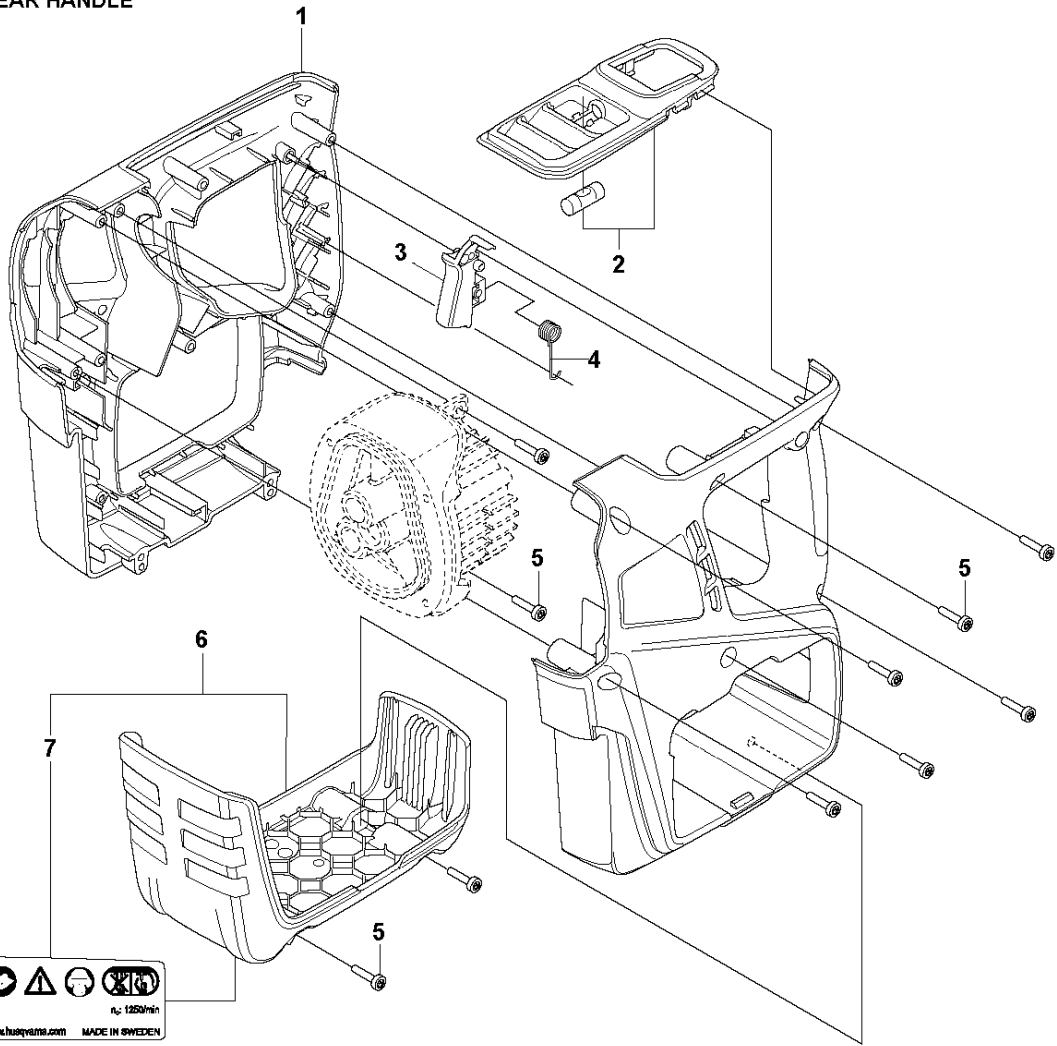


## MOTOR

DM540i, 2021-09

Ref	Part No	Description	Remark	QTY	KIT
1	534 11 32-01	MOTOR ASSY	INCL PINION	1	
2	534 15 02-01	PARALLEL PIN	4m6x12	2	1
3	543 05 27-80	O-RING		1	1
4	543 05 27-91	NEEDLE BEARING		2	1
5	543 05 27-06	HEXAGON NUT		1	12
6	534 11 35-01	GEAR WHEEL	CLUTCH	1	
7	534 11 34-01	GEAR WHEEL SHAFT		1	
8	543 05 27-89	BALL BEARING		1	
9	599 77 31-01	RETAINER RING	AV18	1	
10	534 11 33-01	GEAR WHEEL		1	
11	543 05 27-69	SEAL		1	
12	534 11 38-01	CLUTCH ASSY	SLIP CLUTCH KIT	1	

**C** DM540i  
REAR HANDLE

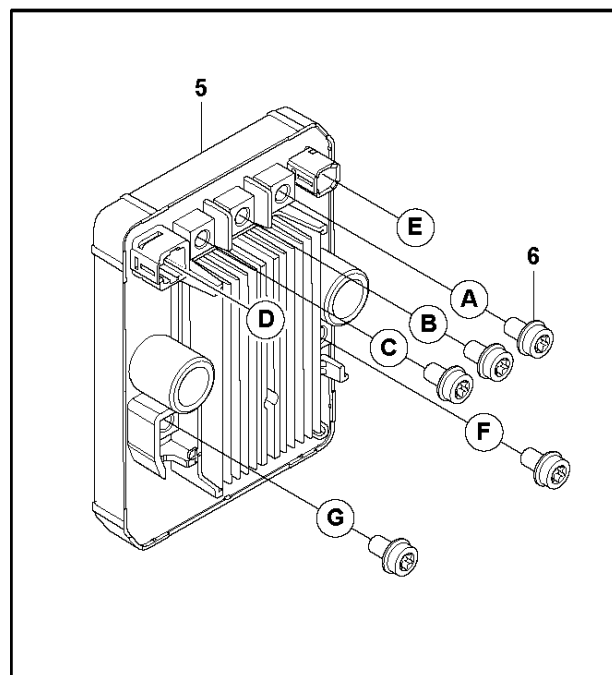
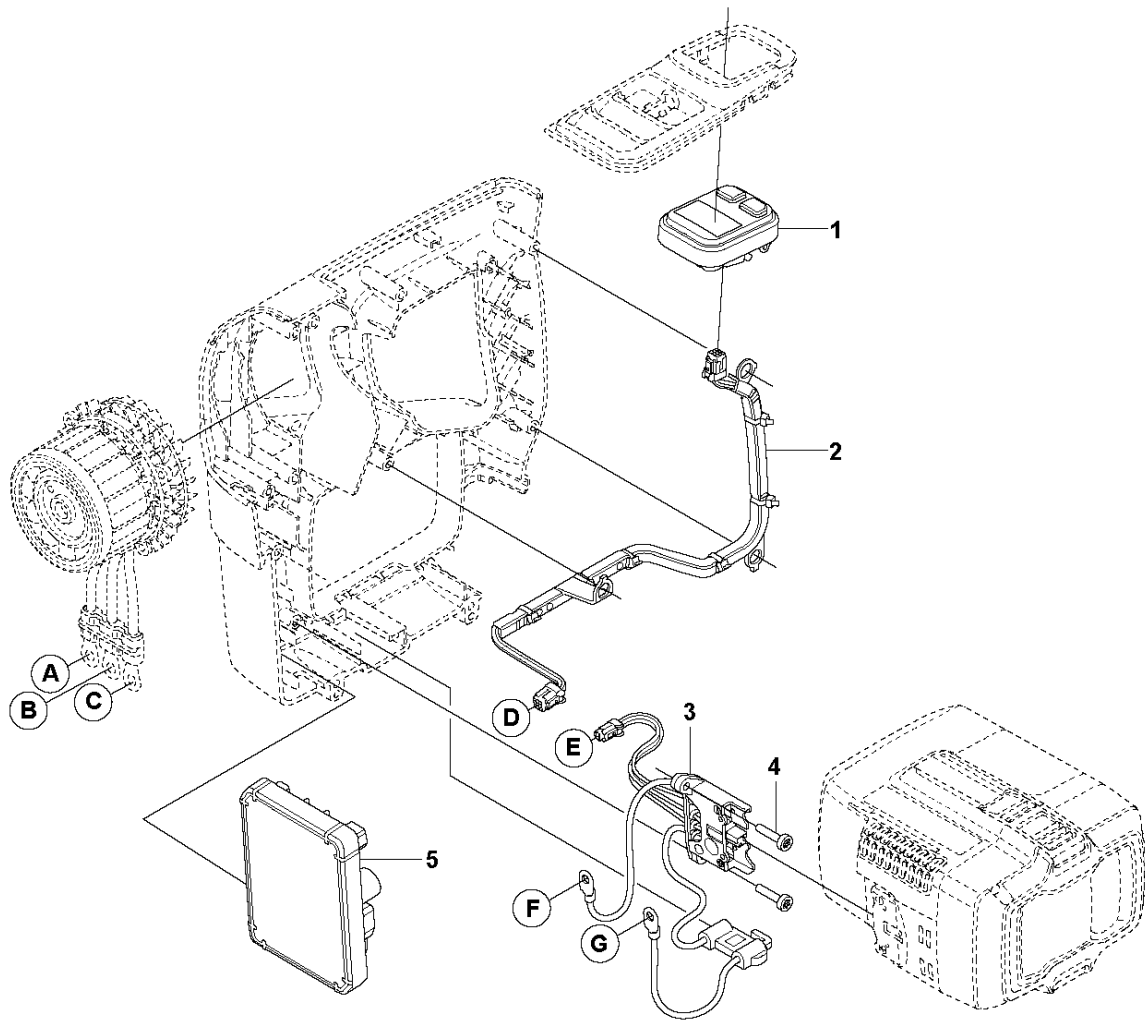


## REAR HANDLE

DM540i, 2021-09

Ref	Part No	Description	Remark	QTY	KIT
1	599 25 41-01	HANDLE HALF		1	
2	599 72 29-01	AIR INTAKE		1	
3	599 25 43-01	TRIGGER		1	
4	599 25 45-01	SPRING		1	
5	580 29 29-01	SCREW ITXSCT		9	
6	534 11 36-01	SKID PLATE		1	
7	529 46 97-01	DECAL		1	6
8	534 11 37-01	HANDLE HALF	With Bluetooth	1	
8	534 11 37-02	HANDLE HALF	w/o Bluetooth	1	
9	735 31 07-20	E-CLIP		1	8
10	599 73 46-01	SPRING		1	8
11	599 71 93-01	TRIGGER		1	8
12	599 47 40-01	AIR INTAKE		1	8
13	585 48 00-01	SPRING		1	8
14	577 99 66-01	PUSH BUTTON		1	8

**D** DM540i  
ELECTRICAL



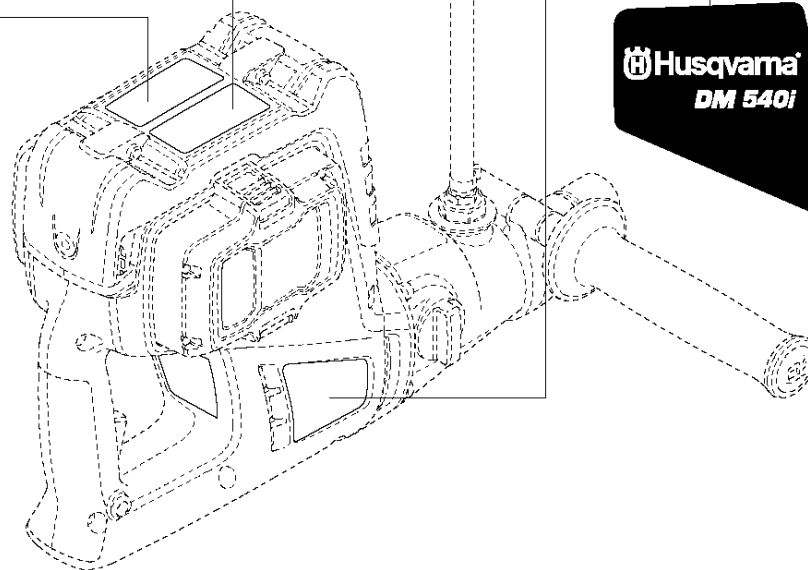
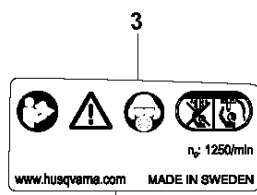
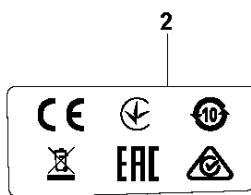
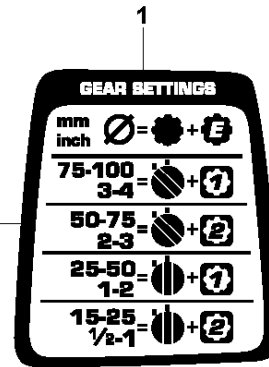
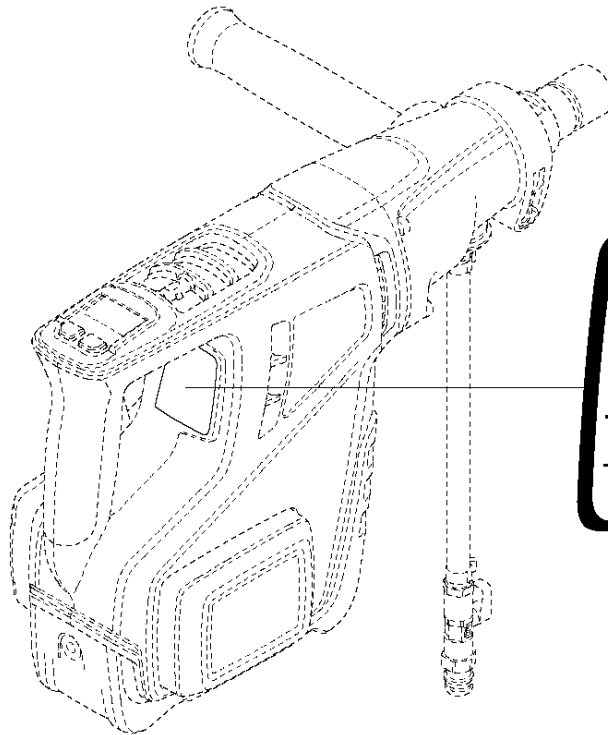


ELECTRICAL

DM540i, 2021-09

Ref	Part No	Description	Remark	QTY KIT
1	599 35 35-01	CONTROL PANEL	with Bluetooth	1
1	599 35 36-01	CONTROL PANEL	w/o Bluetooth	1
2	599 33 75-01	WIRING ASSY		1
3	599 33 76-01	WIRING ASSY		1
4	580 29 29-01	SCREW ITXSCT		2
5	529 58 83-01	CONTROL UNIT		1
6	525 75 51-11	SCREW ITXSCFM		5

**F** DM540i  
DECALS

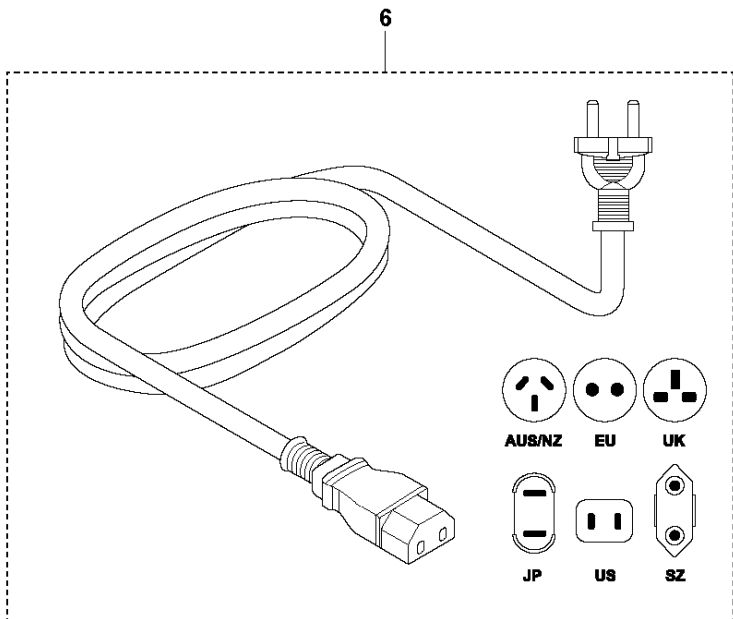
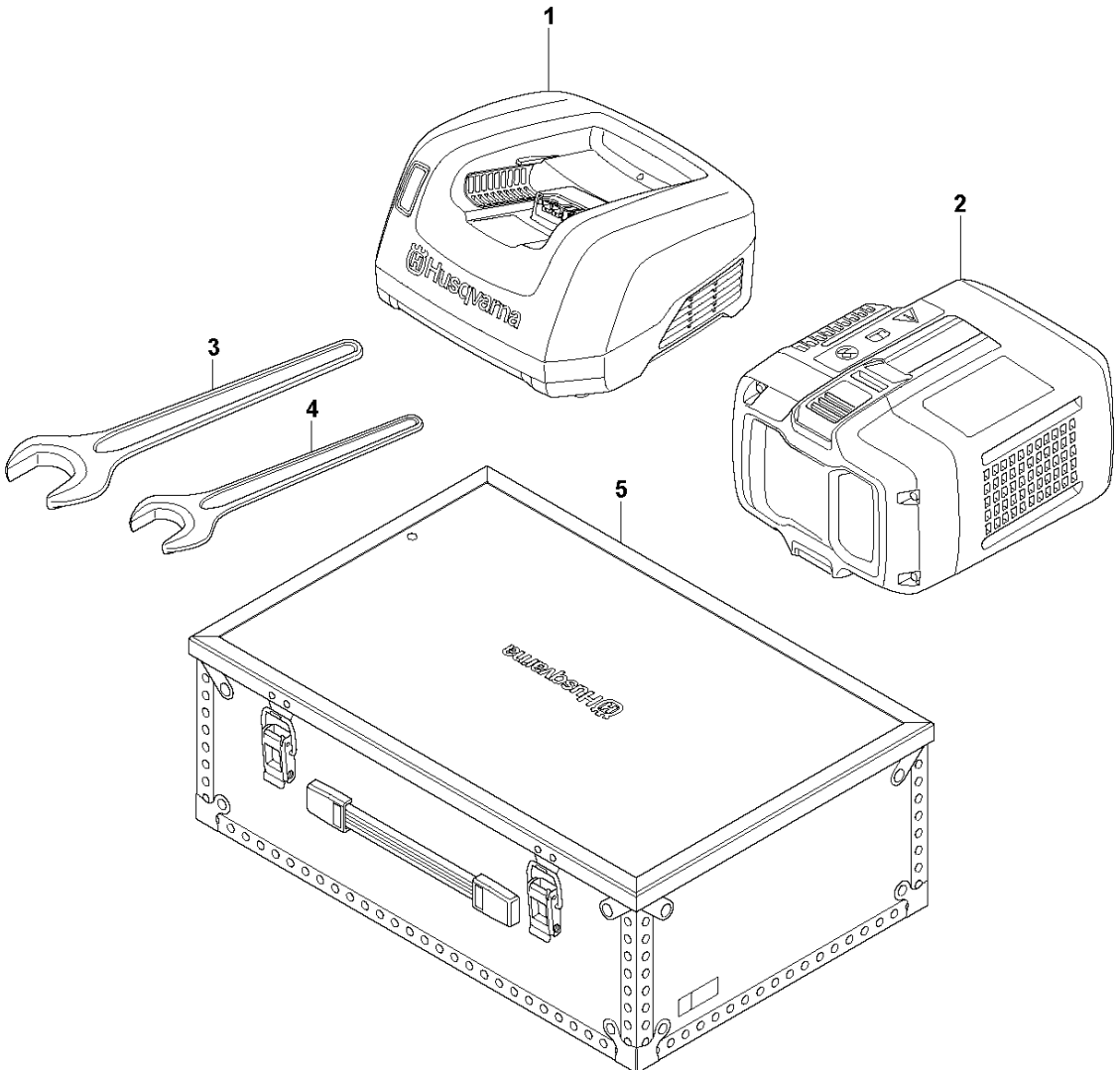


DECALS

DM540i, 2021-09

Ref	Part No	Description	Remark	QTY KIT
1	529 46 96-01	DECAL	Gear instruction	1
2	529 57 13-01	DECAL	EU/RoW	1
3	529 46 97-01	DECAL		1
4	529 46 94-01	DECAL	With Bluetooth	1
4	529 46 94-02	DECAL	W/O Bluetooth	1

**G** DM540i  
ACCESSORIES



## ACCESSORIES

DM540i, 2021-09

Ref	Part No	Description	Remark	QTY KIT
1	967 96 49-01	BATTERY CHARGER	QC330 EU	1
1	967 96 49-03	BATTERY CHARGER	QC330 US	1
1	967 96 49-02	BATTERY CHARGER	QC330 UK	1
1	967 96 49-04	BATTERY CHARGER	QC330 JP	1
1	967 96 49-05	BATTERY CHARGER	QC330 AU/NZ	1
1	967 96 49-07	BATTERY CHARGER	QC330 BR	1
1	967 96 49-06	BATTERY CHARGER	QC330 SZ	1
1	967 96 50-04	BATTERY CHARGER	QC500 JP	1
1	967 96 50-03	BATTERY CHARGER	QC500 US	1
1	967 96 50-01	BATTERY CHARGER	QC500 EU	1
1	967 96 50-02	BATTERY CHARGER	QC500 UK	1
1	967 96 50-05	BATTERY CHARGER	QC500 AU/NZ	1
1	967 96 50-06	BATTERY CHARGER	QC500 SZ	1
2	967 96 41-01	BATTERY	Bli200 RoW	1
2	967 96 41-02	BATTERY	Bli200 US/CA	1
2	967 96 43-02	BATTERY	Bli300 US/CA	1
2	967 96 43-01	BATTERY	Bli300 RoW	1
3	531 14 09-52	KEY	32mm	1
4	531 14 09-51	KEY	24mm	1
5	534 11 39-01	BOX		1
6	581 29 50-01	MAINS CABLE	QC330/QC500-CORD 330W/500W-AU/NZ	1
6	582 63 97-01	WIRING ASSY	QC330/QC500-CORD 330W/500W-SZ	1
6	579 13 04-01	MAINS CABLE	QC330/QC500-CORD 330W/500W-US	1
6	579 13 06-01	MAINS CABLE	QC330/QC500-CORD 330W/500W, 220V-UK	1
6	578 08 19-01	MAINS CABLE	QC330/QC500-CORD 330W/500W, 220V-EU	1
6	581 29 49-01	MAINS CABLE	QC330/QC500-CORD 330W/500W-JP	1