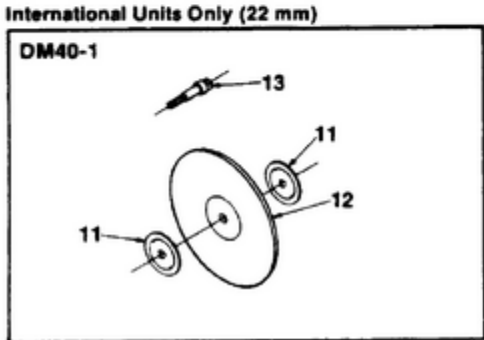
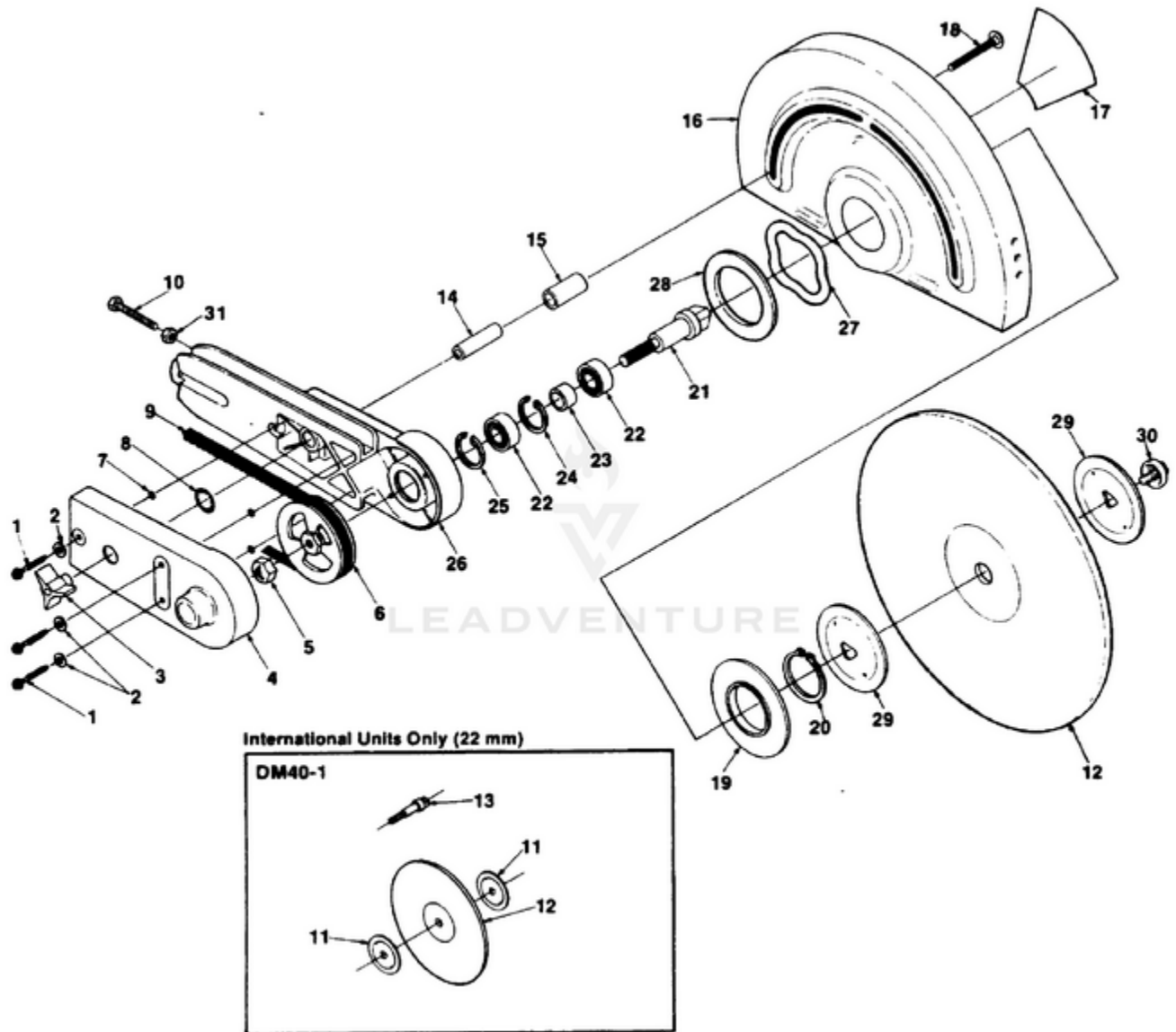


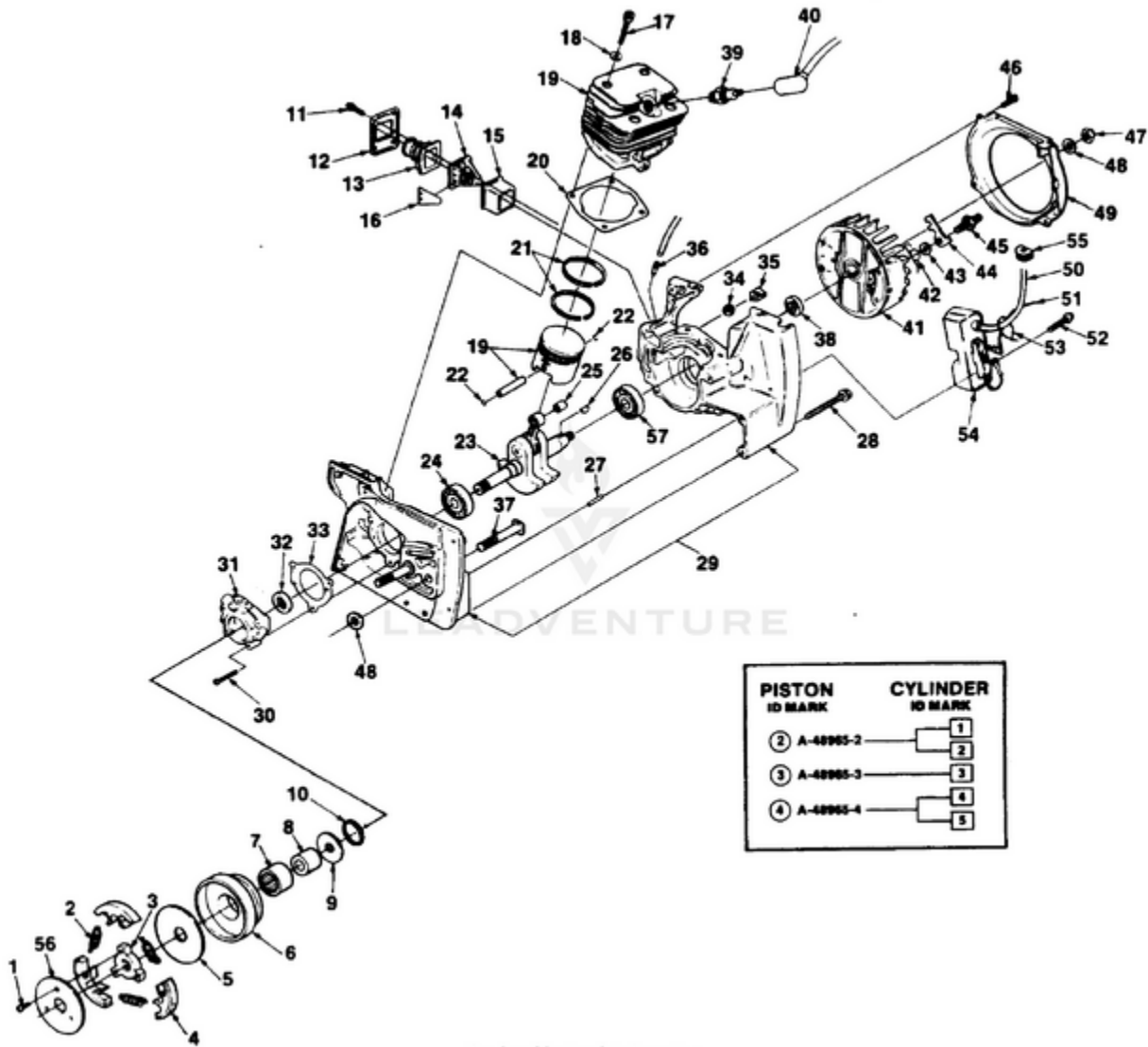
DM40 Multi Purpose Saw UT-05027 05027-UT DM40 Multi Purpose Saw UT-05027 DM40 Multi Purpose Saw - Blade Arm



Rendered by LeadVenture, Inc.

Ref #	Part #	Description	Qty
1	94143	SCREW	1
2	84026	WASHER- Flat	3
3	46076	KNOB	1
4	43966	COVER- Arm	2
5	81245	NUT- Lock hex	1
6	439981A	PULLEY- Driven	1
7	46462	"O" RING	3
8	46072	RING- Retaining	1
9	46068	BELT-"V" Drive	1
10	46130	SCREW	1
11	439971	FLANGE-Wheel (DM-40-1)	2
12	64596BS	WHEEL- Resinoid (Concrete) (DM40)	1
	47449	WHEEL- Resinoid (Concrete) (DM40-1)	1
13	49711	SHAFT- Wheel (DM40-1)	1
14	46456A	SPACER- Guard adjusting	1
15	46455	TUBING- Rubber	1
16	A434621A	GUARD- Wheel	1
17	48922	LABEL- Caution	1
18	82371	BOLT- Step	1
19	46000	WASHER- Mounting	1
20	46065	RING	1
21	46079A	SHAFT-Wheel (DM40)	1
22	63107S	BEARING- Ball	2
23	46067	SPACER- Bearing	1
24	47207	RING-Retaining	1
25	31746	RING- Retaining	1
26	A47407	ARM- Wheel	1
27	47388	SPRING- Wave	1
28	47387	SHIM	1
29	439961	FLANGE-Wheel (DM40)	1
30	A48783	SCREW, WASHER & RETAINER KIT	1
31	81162	NUT	1

DM40 Multi Purpose Saw UT-05027 05027-UT DM40 Multi Purpose Saw UT-05027 DM40 Multi Purpose Saw - Clutch, Engine Internals & Ignition

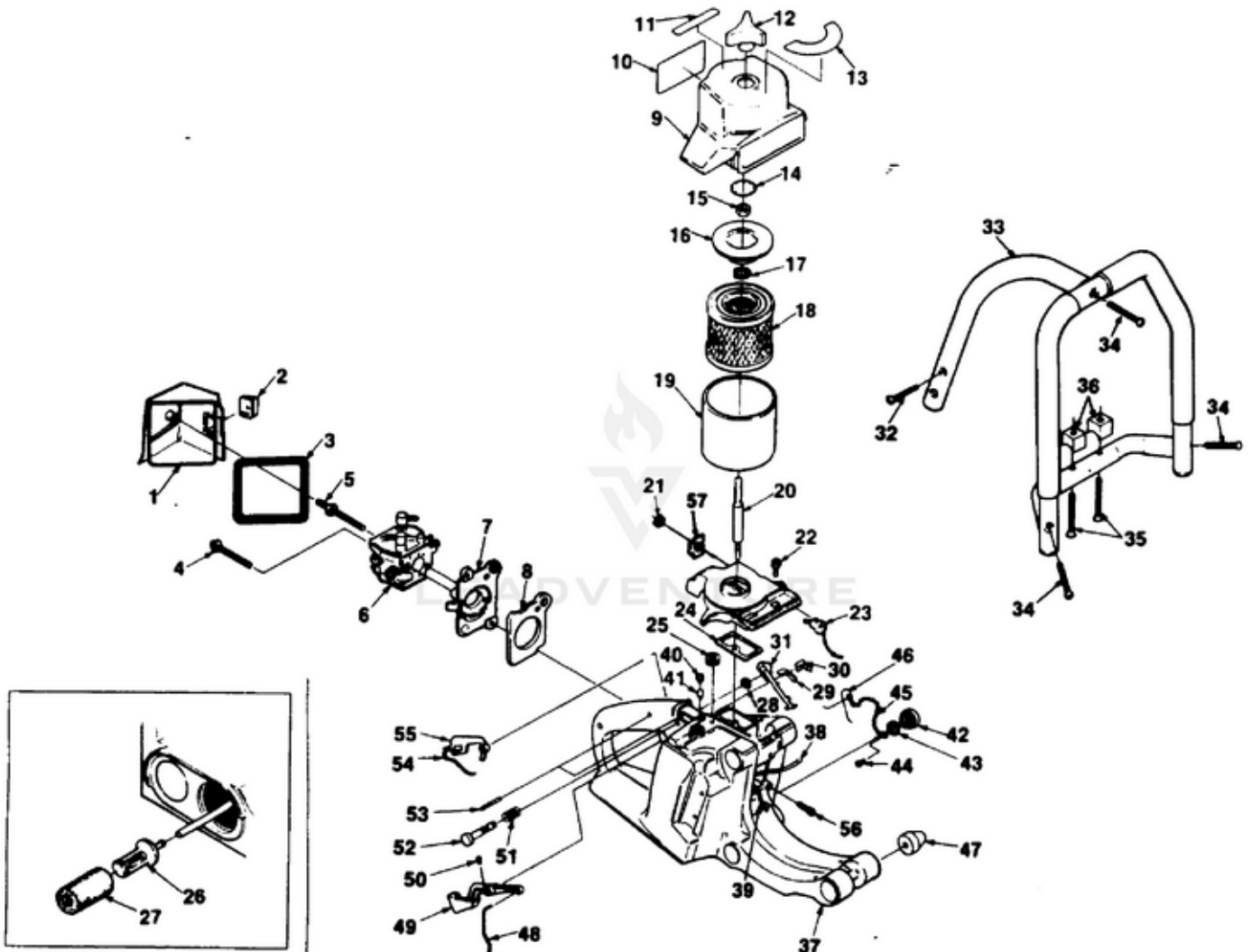


Rendered by LeadVenture, Inc.

Ref #	Part #	Description	Qty
1	82253	SCREW	3
2	93638A	SPRING- Clutch	3
3	93639	SPIDER- Clutch	1
4	A93632A	SHOE- Clutch	3
5	93650	WASHER- Thrust	1
6	A46123	PULLEY- Drum & Bearing	1
7	46071	BEARING- Needle	1
8	46070	RACE- Inner	1
9	46135	WASHER- Thrust	1
10	48859	SEAL	1
11	80582	SCREW- 8-32 x 5/8	4
12	93328	RETAINER- Reed valve	1
13	93327	CONNECTOR- Carburetor	1
14	93324	SEAT- Reed valve	1
15	93326A	RETAINER- Reed	1
16	93325	REED	4
17	93399	SCREW- Cap socket head	4
18	12021	WASHER- Conical	4
19	A48841	PISTON & CYLINDER (See Note 2)	1
20	93338	GASKET- Cylinder	1
21	48851	PISTON RING	1
22	64813	RING- Retaining	1
23	A48836	CRANKSHAFT	1
24	94621	BEARING- Ball	1
25	97566	BEARING- Roller	1
26	75078	KEY- Woodruff	1
27	31062	PIN- Dowel	2
28	88056	SCREW- 10 - 24 x 1.750	5
29	A47868	CRANKCASE	1
30	80660	SCREW	1
31	A47871	BEARING- Retainer	1
32	70729	SEAL	1
33	93329	GASKET- Bearing retainer	1

Ref #	Part #	Description	Qty
34	81208	NUT	4
35	12689A	NUT- Retainer	2
36	69833	FITTING- Tubing	1
37	47948	BOLT	1
38	70729	SEAL- Shaft	1
39	96169S	SPARK PLUG (Champion DJ7Y)	1
40	A33055	TERMINAL HIGH TENS(P TBO	1
41	93313	ROTOR- 4.500 Dia.	1
42	653752	SPRING- Starter pawl	2
43	70901	WASHER- Lock #2	1
44	58756	FINGER- Starter	1
45	58757E	STUD- Shoulder	2
46	82251	SCREW- Mach pan hd	1
47	81255	NUT- Locking hex	1
48	95479A	WASHER- Flat	2
49	93312	SCROLL- Air guide	1
50	69326	LEAD- Hi-tension (Note 1)	1
51	A97837	SWITCH & LEAD	1
52	80052	SCREW	2
53	50729	CLAMP- Wire	1
54	A48507	MODULE	1
55	58318	GROMMET	1
56	93628	COVER- Clutch	1
57	94621	BEARING- Ball	1
	A00902	CYLINDER	
	A489652	PISTON	

DM40 Multi Purpose Saw UT-05027 05027-UT DM40 Multi Purpose Saw UT-05027 DM40 Multi Purpose Saw -
Handles, Air Cleaner & Carburetor

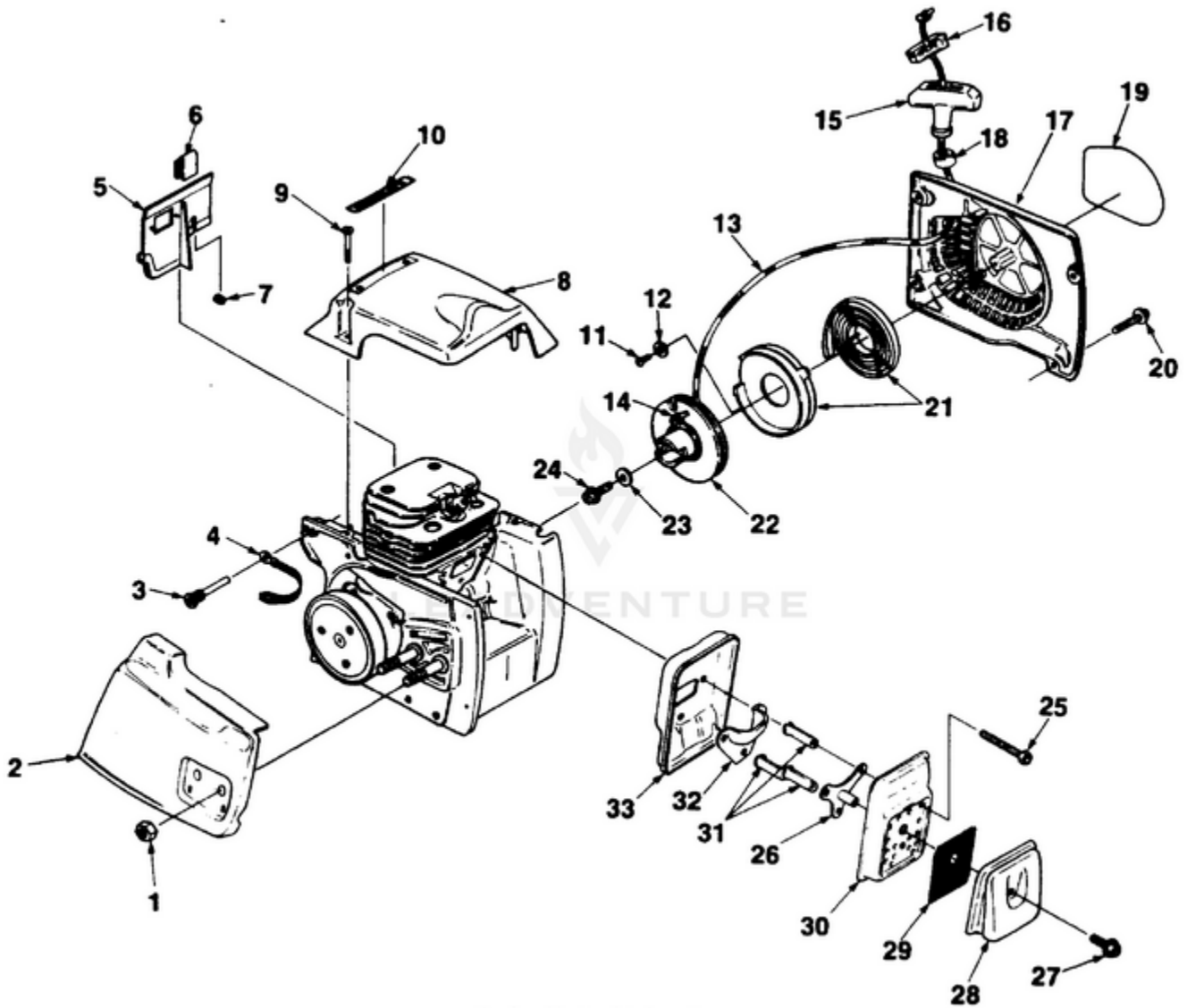


Rendered by LeadVenture, Inc.

Ref #	Part #	Description	Qty
1	A934311	COVER- Carburetor chamber	1
2	93470	GROMMET- Hi-Lo	1
3	97620	GASKET- Carburetor cover	1
4	93460	SCREW- Hex sems hd.	1
5	93468	STUD- Shoulder	1
6	A97102	CARBURETOR (WS-22) Walbro	1
7	976231	ADAPTOR- Carburetor	1
8	97622A	GASKET- Carburetor adaptor	1
9	47870	COVER- Filter	1
10	48856	DECAL	1
11	48857	DECAL	1
12	46076	KNOB	1
13	48855	DECAL	1
14	46072	RING- Retaining	1
15	81196	NUT- Hex 5/16-18	1
16	46786	COVER- Filter element	1
17	46787	WASHER	1
18	47867	ELEMENT- Air filter	1
19	49143	FOAM- Air filter	1
20	47865	STUD- Threaded	1
21	72084A1	NUT- Hex	1
22	88050	SCREW	1
23	A97837	SWITCH & LEAD	1
24	48821	GASKET	1
25	A49135	GROMMET & "O" RING ASSEMBLY	1
26	A97700	USE UP06516	1
27	592531A	ELEMENT- Felt filter	1
28	93377	RING- Retaining	1
29	93381	RETAINER- Choke	1
30	48878	SEAL- Choke rod	1
31	93372	ROD-Choke	1
32	82389	SCREW- Oval hd.	2
33	A47873	HANDLE BAR	1
34	82378	SCREW	1
35	82494	SCREW- Mach oval hd.	2
36	93427	BRACKET- Handle bar	2
37	A49144	HOUSING- Engine	1
38	9311232	TUBING- 8 3/4" (fuel line)	1
39	9315719	TUBING- 4 3/4 (pulse line)	1
40	93410	FILTER-	1
41	69451	VALVE- Check	1
42	A97799	CAP- Fuel	1
43	93422	GASKET- Cap	1

Ref #	Part #	Description	Qty
44	82256A	SCREW- Plastic X-slot	1
45	69502	CHAIN- Bead	1
46	96535	KEEPER- Cap	1
47	49136	ISOLATOR	6
48	93371A	ROD- Throttle	1
49	A93374A	TRIGGER- Throttle	1
50	82373	SCREW	1
51	93376	SPRING- Compression	1
52	93375	PIN- Throttle lock	1
53	685451	PIN- Trigger	1
54	93386	SPRING- Flat	1
55	93385	LOCK- Trigger	1
56	80022	SCREW- 8-32 x 1/2	3
57	95231	PLATE- Indicating	1
	49555	PRE-FILTER- Cone-shaped	
	93383	KNOB-Retainer for Carb Cover	
	478781	BASE- Air Filter	
	A01085	CARB- WJ-5	
	01800	KIT- Repair	
	01801	KIT- Gasket/Diaphragm	
	01829	VALVE- Nozzle Check	
	01828	KIT- Accelerator	

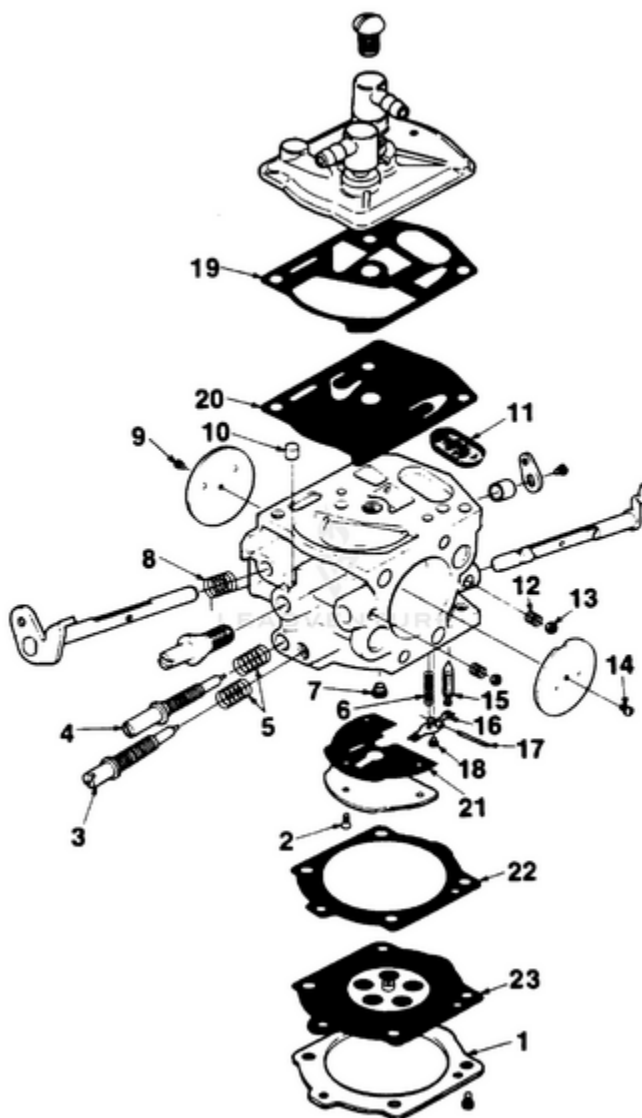
DM40 Multi Purpose Saw UT-05027 05027-UT DM40 Multi Purpose Saw UT-05027 DM40 Multi Purpose Saw - Muffler & Starter



Rendered by LeadVenture, Inc.

Ref #	Part #	Description	Qty
1	810892	NUT- 3/8-16	1
2	478693	COVER- Drivecase	1
3	93367	PIN- Isolator	6
4	A93459A	STRAP- Ground	1
5	A96866	DEFLECTOR- Air	1
6	96200	CLIP- Spring	1
7	93357	GROMMET	1
8	A97762	COVER- Cylinder	1
9	93397A	SCREW- Cylinder cover	1
10	96479	LABEL- Homelite	1
11	82215	SCREW- Plastite	1
12	84025	WASHER- Flat	1
13	A49137	ROPE- Starter	1
14	83060	WASHER	1
15	A69962B	GRIP- Starter	1
16	70018A	INSERT- Rope retaining	1
17	A93168A	HOUSING- Starter	1
18	67177	BUSHING	1
19	48487	DECAL	1
20	82298	SCREW	4
21	A93370	RETAINER & SPRING	1
	A98067	RETAINER- Spring	1
22	A93359	CUP & PULLEY	1
23	58763	WASHER- Retaining	1
24	93417	SCREW- Thd. retaining	1
25	94129	SCREW- Mach. hex hd.	3
26	A95062	SPACER & PLATE KIT	1
27	88048	SCREW- 10-24 x .375	1
28	A93355A	CAP- Muffler	1
29	93344	SCREEN- Spark arrestor	1
30	933481A	COVER- Muffler	1
31	9398303	SPACER- Muffler	3
32	93349	PLATE- Stiffner	1
33	93347	BODY- Muffler	1
	A00793D	STARTER- Complete	
	64443	BUSHING (in Starter under Pulley)	

DM40 Multi Purpose Saw UT-05027 05027-UT DM40 Multi Purpose Saw UT-05027 DM40 Multi Purpose
Saw - Walbro Carburetor



Rendered by Leadventure, Inc.

Ref #	Part #	Description	Qty
1	97132	Repair Kit	1
2	97132	Repair Kit	1
3	97132	Repair Kit	1
4	97132	Repair Kit	1
5	97132	Repair Kit	1
6	97132	Repair Kit	1
7	97132	Repair Kit	1
	97131	Nozzle Check Valve	1
8	97132	Repair Kit	1
9	97132	Repair Kit	1
10	97132	Repair Kit	1
11	97132	Repair Kit	1
12	97132	Repair Kit	1
13	97132	Repair Kit	1
14	97132	Repair Kit	1
15	97132	Repair Kit	1
	64229	Needle - Inlet	1
16	97132	Repair Kit	1
17	97132	Repair Kit	1
18	97132	Repair Kit	1
19	97132	Repair Kit	1
	97133	Gasket/Diaphragm Kit (Includes 19-23)	1
20	97132	Repair Kit	1
	97133	Gasket/Diaphragm Kit (Includes 19-23)	1
21	97132	Repair Kit	1
	97133	Gasket/Diaphragm Kit (Includes 19-23)	1
22	97132	Repair Kit	1
	97133	Gasket/Diaphragm Kit (Includes 19-23)	1
23	97132	Repair Kit	1
	97133	Gasket/Diaphragm Kit (Includes 19-23)	1

ACCESSORIES

WHEEL- Resinoid (Metal) (DM40-1)	47450
WHEEL- Resinoid (Metal) (DM40)	64597-BS
WHEEL- Resinoid (Ductile) (DM40)	68421-AS
KIT- Emergency (DM40)	A-48705
KIT- Emergency (DM40-1)	A-48706
BLADE- Carbide	64595-S
SEALASTIC	24823
TUBING- Rubber 10' (Fuel)	93112-99
TUBING- Rubber 10' (Pulse line)	93157-99
PAINT- Red	23415
PULLER- Rotor	A-17106-B
Includes:	
STUD- Hex hd.	17108
SCREW	80627
RING- Retaining	93972

TOOLS

WRENCH- Combination	A-24284
WRENCH- Adjusting	A-24085
WRENCH- Spanner	A-17146
BIT- Torx (Clutch cover) 1/4 shank	17115-01
BIT- Torx (Clutch cover) 5/16 shank	17115-02
SHIM- Air gap (black)	24306
LOCTITE (242)	24388-B
BIT- Driver torx (isolator pin) 1/4 shank	24982-01
BIT- Driver torx (isolator pin) 5/16 shank	24982-02

Ref #	Part #	Description	Qty
47450	47450	WHEEL- Resinoid (Metal) (DM40-1)	1
64597BS	64597BS	WHEEL- Resinoid (Metal) (DM40)	1
68421AS	68421AS	WHEEL- Resinoid (Ductile) (DM40)	1
A-48705	A48705	KIT- Emergency (DM40)	1
A-48706	A48706	KIT- Emergency (DM40-1)	1
64595-S	64595S	BLADE- Carbide	1
24823	24823	SEALASTIC	1
9311299	9311299	TUBING- Rubber 10' (Fuel)	1
9315799	9315799	TUBING- Rubber 10' (Pulse Line)	1
23415	23415	PAINT- Red	1
A17106B	A17106B	PULLER, Rotor	1
17108	17108	STUD- Hex hd.	1
80627	80627	SCREW	1
93972	93972	RING- Retaining	1
A-24284	A-24284	WRENCH- Combination	1
A-24085	A-24085	WRENCH- Adjusting	1
A-17146	A17146	USE UP00032	1
17115-01	1711501	BIT- Torx (Clutch cover) 1/4 shank	1
17115-02	1711502	BIT- Torx (Clutch cover) 5/16 shank	1
24306	24306	SHIM- Air gap (black)	1
24388-B	24388B	LOCTITE (242)	1
2498201	2498201	BIT- Driver torx (isolator pin) 1/4 shank	1
2498202	2498202	BIT- Driver torx (isolator pin) 5/16 shank	1