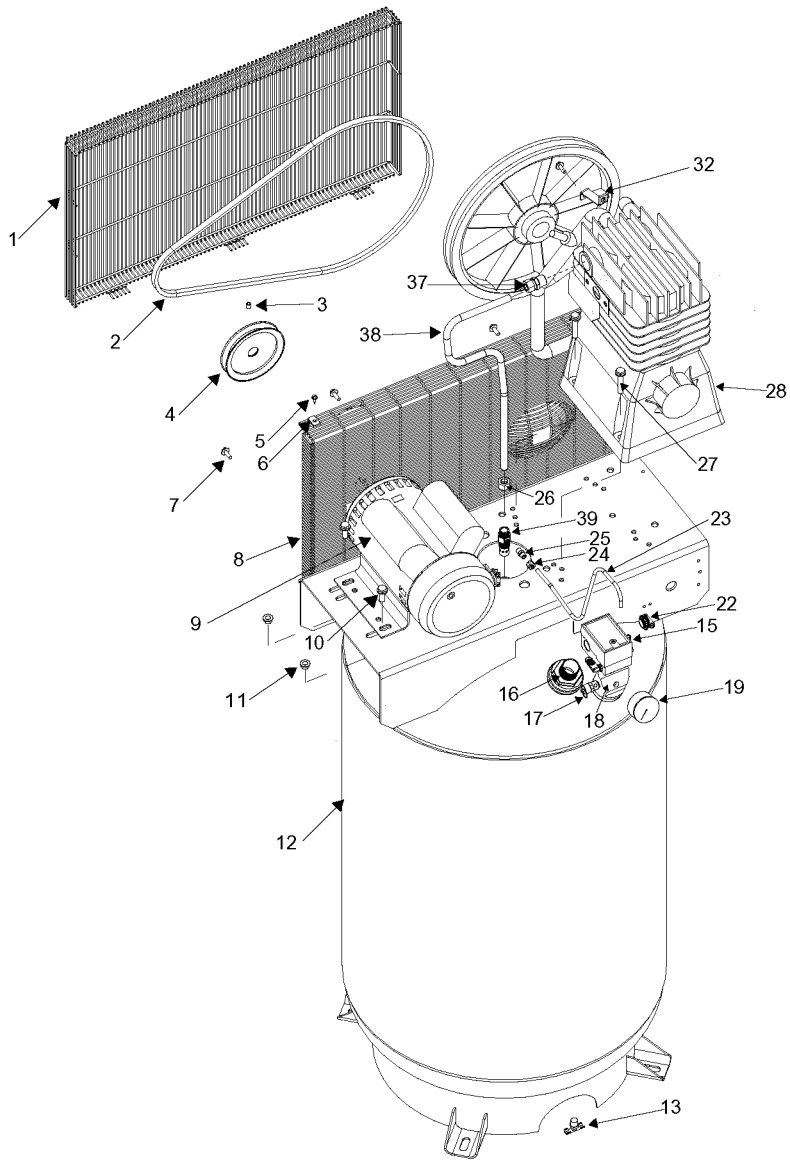
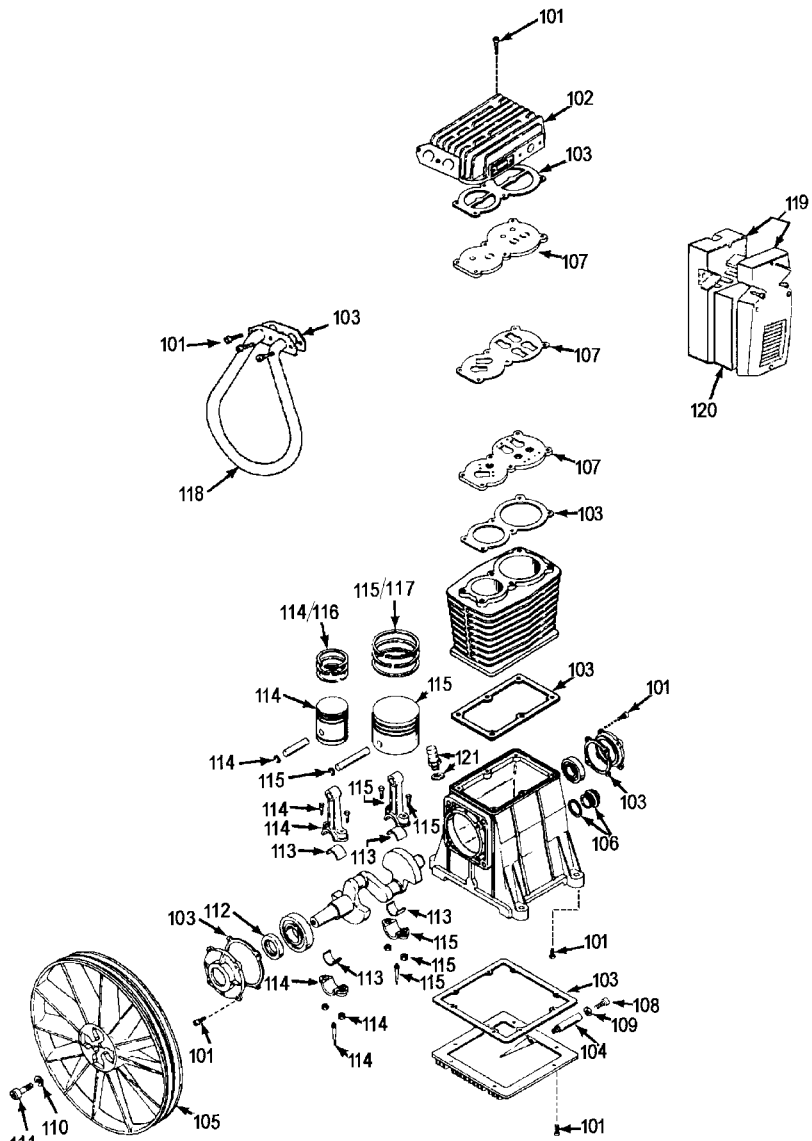


# AIR COMPRESSOR DIAGRAM



# PUMP DIAGRAM

TORQUE TO  
32-33 FT.-LBS.



## Parts List for DLKC6580V2 Type 1

Item Number	Part Number	Description	Qty Required
1	AC-0434	BELTGUARD OUTSIDE	1
2	D26434	BELT A-SEC AP56 57.3	1
3	SS-559	SCREW .313-18X.375 S	1
4	D25979	PULLEY A-SEC 4.80 OD	1
5	SSF-953-ZN	SCREW #10X.625 HHW S	2
6	SSF-8131	NUT SPEED 8AB U TYPE	2
7	91895680	SCREW .250-20X.750 H	4
8	AC-0433	BELTGUARD INSIDE	1
9	D26719	MOTOR OL 240V 2POLE	1
10	SSF-3140-ZN	SCREW .375-16X1.00 H	4
11	SSF-8111-ZN	NUT .375-16 HEX WHIZ	4
12	000000-00	No Longer Available	1
13	A17038	DRAIN VALVE	1
15	Z-D20596	SWITCH PRES 1PORT 14	1
16	5140067-09	NIPPLE	1
17	TIA-4200	VALVE SAFETY 200 .25	1
18	AC-0764	MANIFOLD 1 NPT ALUMI	1
19	GA-360-B	GAUGE 300 PSI BACK M	1
22	SSW-7482	CONNECTOR CONDUIT 3/	1
23	AC-0763	TUBE PRESSURE RELIEF	1
24	SSP-7811	ASSY NUT SLEEVE 1/4	1
25	SS-8553	CONNECTOR BODY	1
26	SSP-7812	ASSY NUT SLEEVE 1/2	1
27	SSF-3159	SCREW .375-16X2.00 H	4
28	Z-ABP-459	PUMP ABAC COMP B5900	1
32	DAC-306	BRACKET BELTGUARD	1
37	DAC-225	CONNECTOR MALE 1/2OD	1

## Parts List for DLKC6580V2 Type 1

Item Number	Part Number	Description	Qty Required
38	AC-0751	TUBE OUTLET .50 OD C	1
39	A19715	VALVE CHECK 1/2NPT X	1
101	ABP-8226501	KIT HARDWARE ABAC B5	1
102	ABP-5961405	HEAD	1
103	ABP-5950057	KIT GASKET	1
104	D20567	KIT EXTENSION DRAIN	1
105	D25975	FLYWHEEL ABAC B5900	1
106	ABP-9022003	ASSY SIGHT GLASS	1
107	ABP-5940050	KIT VALVE PLATE ABAC	1
108	ABP-9101164	SCREW M10-1.5X15 SKT	1
109	ABP-9162030	SEAL DRAIN PLUG	1
110	BAL-1000417	WASHER FLYWHEEL NS39	1
111	ABP-9110022	SCREW FLYWHEEL	1
112	ABP-9163020	SEAL CRANKSHAFT	1
114	ABP-8226502	RING RUNNING GEAR HP	1
115	ABP-8226503	KIT RUNNING GEAR LP	1
116	ABP-8227093	KIT HP RING	1
117	ABP-8227092	KIT LP RING	1
118	ABP-9049020	VALVE SAFETY	1
118	ABP-5962020	INTERCOOLER	1
119	ABP-5981000	ASSY FILTER ABAC B59	1
120	ABP-5281100	FILTER	1
121	ABP-9024011	OIL FILTER PLUG (ABA	1