

Demolition Hammer - 3 611 C37 010 - DH507

www.powertools-aftersaleservice.com



BOSCH

Item	Part Number	Description	Illustration	Price	Quantity	Price Group
1	1 619 P07 704	Motor Housing	1	-,-	1	29
2	1 619 P05 390	Field 120V	1	-,-	1	34
4	1 619 P07 811	Switch	1	-,-	1	29
5	1 614 461 034	Power supply cord USA/CDN 3,1m 3 x 1,31mm SJ0W	1	-,-	1	30
6	1 619 P07 722	Grommet	1	-,-	1	12
7	1 601 302 019	Fastening Clamp	1	-,-	1	11
9	1 619 P10 203	Manufacturer's nameplate GSH 5	1	-,-	1	13
10	1 619 P07 207	Manufacturer's nameplate GST 25 Metal	1	-,-	1	-
21	1 619 P07 829	Protective Cap	1	-,-	1	16
22	1 619 P07 724	Protection Sleeve	1	-,-	1	29
25	1 619 P07 742	Stopping Device	1	-,-	2	21
27	1 619 P07 739	Air-Deflector Ring	1	-,-	1	13
28	1 614 621 000	Compression Spring	1	-,-	1	13
29	1 619 P10 522	Washer	1	-,-	1	12
30	1 619 P07 715	Supporting Disc	1	-,-	1	22
31	1 619 P07 743	Supporting Disc	1	-,-	1	20
33	1 619 P07 748	Toolholder	1	-,-	1	35
34	1 610 516 013	Flange	1	-,-	1	12
35	1 619 P07 734	Hammer Pipe	1	-,-	1	43
37	1 619 P07 749	Cylindrical Roller	1	-,-	6	11
38	1 619 P07 710	Covering hood BLUE	1	-,-	1	25
42	1 619 P07 785	Brush Holder	1	-,-	1	31
43	1 619 P07 711	Fan Cover BLACK	1	-,-	1	24
44	1 619 P07 755	Compression Spring	1	-,-	1	14
45	1 619 P07 756	Control Bushing	1	-,-	1	23
48	1 619 P07 780	Clutch Sleeve	1	-,-	1	19
52	1 619 P07 738	Stop Sleeve	1	-,-	1	19
53	1 619 P07 792	Supporting Disc	1	-,-	1	13
57	1 619 P07 762	Striker	1	-,-	1	30
69	1 610 099 004	Retaining Bracket	1	-,-	1	13
72	1 619 P07 723	Eccentric Cog Wheel Z=43	1	-,-	1	38
74	1 619 P07 772	Guide Plate	1	-,-	1	13
75	1 619 P07 707	Handle	1	-,-	1	26

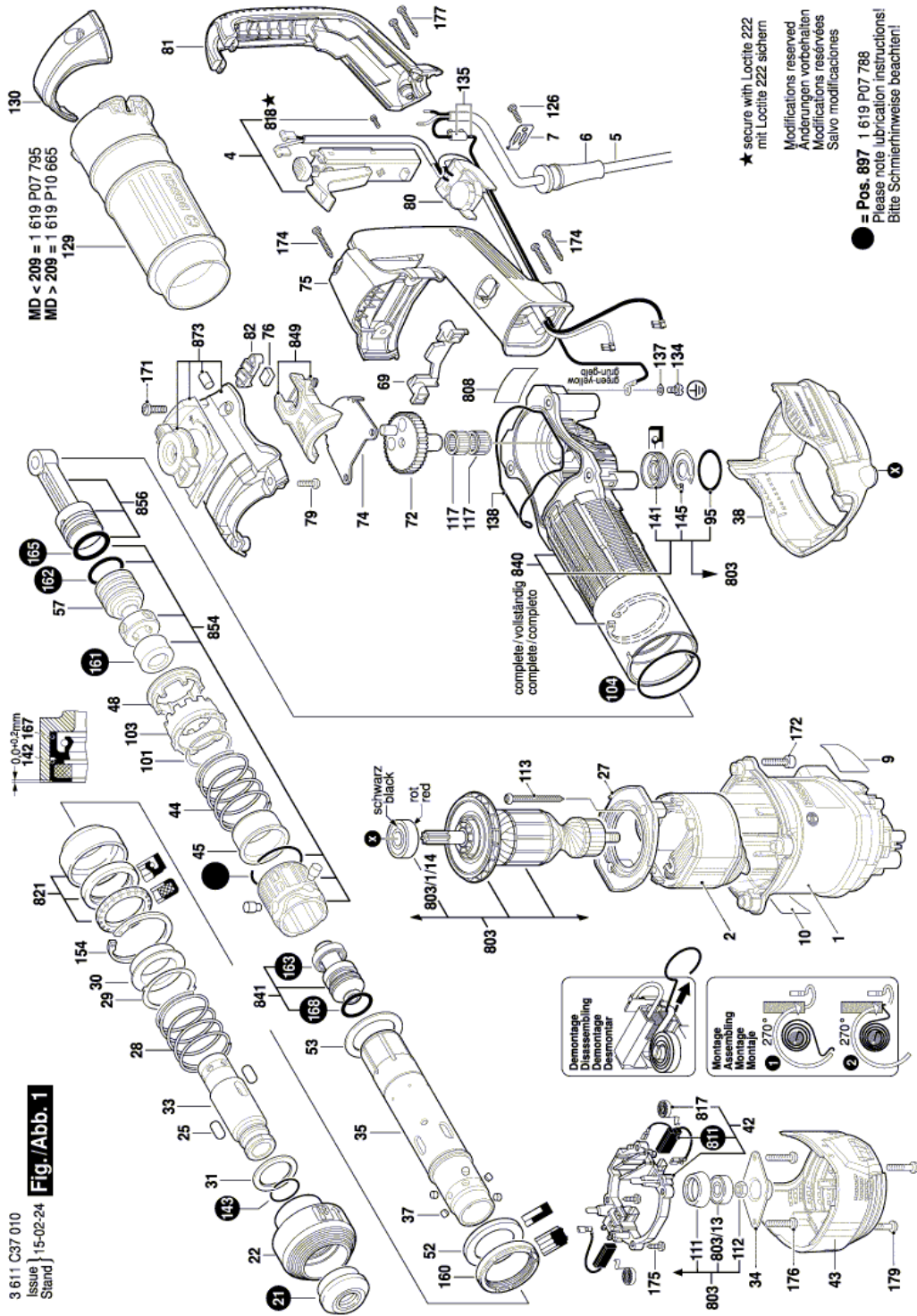
Item	Part Number	Description	Illustration	Price	Quantity	Price Group
76	1 619 P07 789	Magnet	1	-,-	2	-
79	1 613 435 015	Torx Oval-Head Screw M5x12-TORX,T25 SILVER	1	-,-	2	11
80	1 619 P09 650	Speed governor	1	-,-	1	38
81	1 619 P07 709	Handle Cover	1	-,-	1	25
82	1 619 P07 786	Support bracket	1	-,-	1	-
84	1 612 025 060	Auxiliary Handle M8 BLACK	2	-,-	1	20
85	1 619 P07 774	index turning toolholder	2	-,-	1	21
86	1 613 490 002	T-Head Bolt M8x40 MM	2	-,-	1	13
87	1 619 P07 776	Clamping Band	2	-,-	1	15
95	1 610 210 173	O-Ring 32,0x1,5 MM	1	-,-	1	11
101	1 610 224 009	Retaining ring	1	-,-	1	11
103	1 619 P07 781	Bushing	1	-,-	1	23
104	1 619 P07 740	O-Ring	1	-,-	1	14
111	1 610 290 064	Bushing	1	-,-	1	11
112	1 613 300 008	Hex Nut DIN 936-M8x1-8	1	-,-	1	11
113	1 613 435 009	Tapping Screw ST-4,8x57,5-TORX,T20	1	-,-	2	11
117	1 619 P07 713	Needle-Roller Assembly	1	-,-	2	15
126	2 910 211 019	Tapping Screw DIN 7971-ST3,9x16-F	1	-,-	1	10
129	1 619 P10 665	Holding Sleeve	1	-,-	1	24
130	1 619 P07 796	Cover	1	-,-	1	18
134	2 910 110 116	Pan head screw DIN 85 AM 4x6-MS	1	-,-	1	10
135	1 619 P09 774	Earth Conductor	1	-,-	1	11
137	1 610 151 007	Spring Lock Washer	1	-,-	1	10
138	1 619 P07 797	Sealing Frame	1	-,-	1	14
141	1 610 290 066	Rotary shaft lip seal	1	-,-	1	22
143	1 614 601 021	Retaining ring DIN 7993-28x2	1	-,-	1	15
145	1 610 119 012	Spring retaining ring	1	-,-	1	11
154	1 619 P07 801	Clip	1	-,-	1	17
160	1 619 P07 806	Damping Ring	1	-,-	1	20
161	1 619 P07 817	Damping rubber	1	-,-	1	15
162	1 610 210 091	O-Ring 24,0x4,0 MM	1	-,-	1	14
163	1 610 290 065	Seal ring	1	-,-	1	17
165	1 610 210 153	O-Ring 25,0x4,0 MM	1	-,-	1	14
168	1 610 210 144	O-Ring 22,0x3,0 MM	1	-,-	1	11
171	1 619 P07 816	Torx Oval-Head Screw M5x16-TORX, T25 SILVER	1	-,-	4	10
172	1 613 435 013	Torx Oval-Head Screw M6x30-TORX,T30 SILVER	1	-,-	4	11
174	1 613 435 012	Torx Oval-Head Screw M4,8x25-TORX,T25 SILVER	1	-,-	4	11
175	2 912 401 018	Tapping Screw DIN7981-ST3,9x13-C-Z	1	-,-	4	10
176	1 613 435 012	Torx Oval-Head Screw M4,8x25-TORX,T25 SILVER	1	-,-	2	11
177	1 619 P07 821	Screw ST3,9x32 SILVER	1	-,-	2	10
179	1 619 P07 815	Screw	1	-,-	2	10
182	1 619 P09 862	Felt Seal	N/A	-,-	1	10
661	1 615 430 010	Grease Tube 30 ML	2	-,-	1	18
803	1 619 P10 292	Armature 120V	1	-,-	1	47
803/13	1 610 900 026	Deep-Groove Ball Bearing 8x24x8	1	-,-	1	24
803/1/14	1 610 905 028	Deep-Groove Ball Bearing 12x32x10	1	-,-	1	27
808	1 619 P10 205	Nameplate	1	-,-	1	13
811	1 619 P10 158	Carbon-Brush Set	1	-,-	1	27
817	1 614 652 004	Spiral Spring	1	-,-	2	20
818	2 910 011 082	Socket head cap screw DIN 84-AM3,5x6-5.8	1	-,-	2	10
821	1 619 P07 768	Bushing	1	-,-	1	29

Item	Part Number	Description	Illustration	Price	Quantity	Price Group
840	1 619 P10 293	Impact Mechanism Housing	1	-,-	1	45
841	1 619 P07 839	Striker	1	-,-	1	32
849	1 619 P07 798	Control Fork	1	-,-	1	15
854	1 619 P07 773	Guide Bushing	1	-,-	1	28
856	1 619 P07 775	Hammer Piston	1	-,-	1	30
873	1 619 P07 799	Housing Cover	1	-,-	1	31
884	1 619 P07 778	Auxiliary Handle	2	-,-	1	27
897	1 619 P10 242	Wear and Tear Part Set	1	-,-	1	36

Product information Demolition Hammer - 3 611 C37 010 - DH507

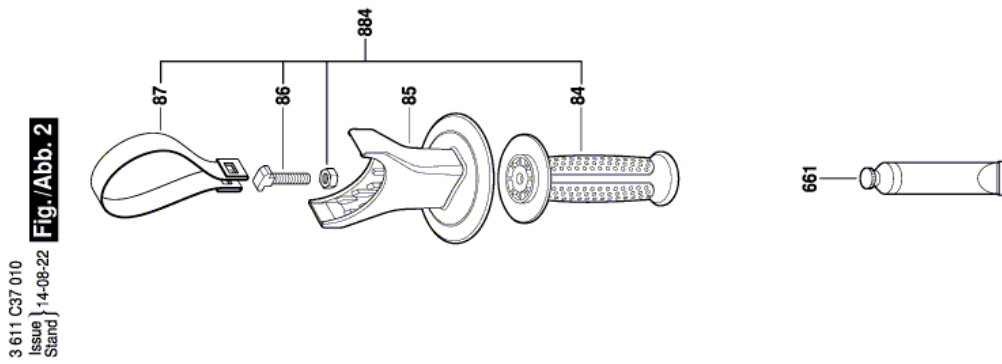
Product No	3 611 C37 010
Description	263.788; Demolition Hammer
DIN-Text	
ID_Text_Ext	0
Trading_Description	DH507
Voltage_1	120 V
ID_Country_Product	USA

Illustration - Type E



3 611 C37 010
Issue | 15-02-24
Stand **Fig./Abb. 1**

Illustration - Type E



Änderungen vorbehalten
Modifications reserved
Modificacions reservées
Salvo modificaciones

Information subject to change without further notice.