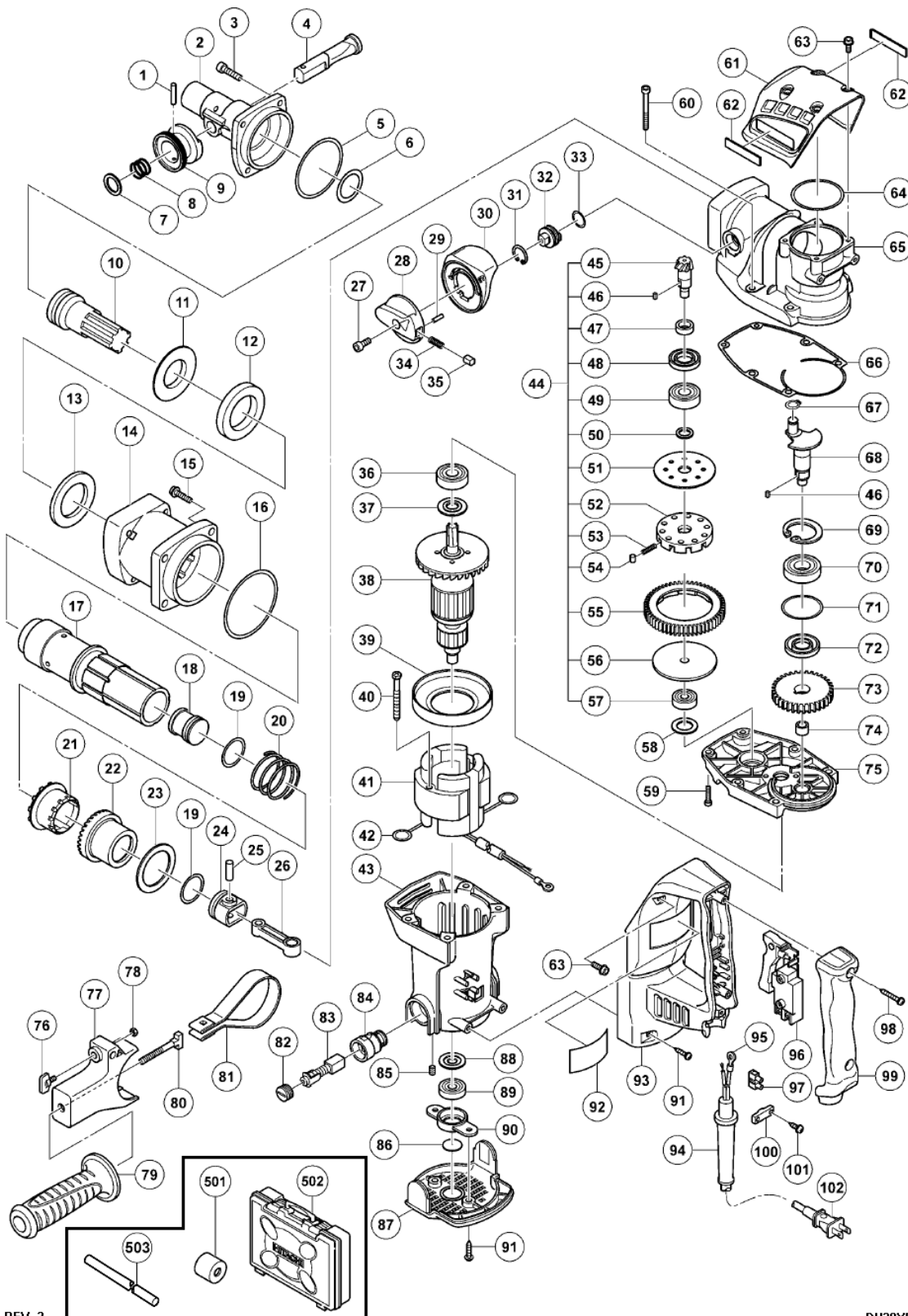


ELECTRIC TOOL PARTS LIST

■ ROTARY HAMMER
Model DH 38YE2

2010 • 01 • 13
(E1)



PARTS

DH38YE2

ITEM NO.	CODE NO.	DESCRIPTION	NO. USED	REMARKS
1	943364	NEEDLE ROLLER D4X20	1	
2	331868	FRONT COVER	1	
3	981942	SEAL LOCK HEX. SOCKET HD. BOLT M6X25	4	
4	985372	STOP LEVER (B)	1	
5	331244	O-RING	1	
6	981857	O-RING (C)	1	
7	331872	STOP WASHER	1	
8	331871	STOPPER SPRING	1	
9	331870	KNOB	1	
10	331863	SECOND HAMMER	1	
11	331865	DAMPER WASHER	1	
12	331864	DAMPER	1	
13	331866	DAMPER HOLDER	1	
14	331867	CYLINDER CASE	1	
15	991712	HEX. SOCKET HD. BOLT (W/FLANGE) M6X25	4	
16	956996	O-RING (1AS-60)	1	
17	331862	CYLINDER	1	
18	331874	STRIKER	1	
19	986104	O-RING	2	
20	331964	CLUTCH SPRING	1	
21	331528	CLUTCH	1	
22	331529	BEVEL GEAR	1	
23	331234	THRUST WASHER	1	
24	326369	PISTON	1	
25	331221	PISTON PIN	1	
26	321285	CONNECTING ROD	1	
27	983162	SEAL LOCK HEX. SOCKET HD. BOLT M4X12	1	
28	331545	CHANGE LEVER	1	
29	331548	PIN D2X10	1	
30	331873	LEVER HOLDER	1	
31	311229	RETAINING RING FOR D20 HOLE	1	
32	331543	LEVER SHAFT	1	
33	873095	O-RING (P-16)	1	
34	331546	LEVER SPRING	1	
35	321311	PUSHING BUTTON	1	
36	6201DD	BALL BEARING 6201DDCMPS2L	1	
37	325003	DUST WASHER (B)	1	
38	360875U	ARMATURE ASS'Y 120V	1	INCLUD.36.37.87.88
39	331252	FAN GUIDE	1	
40	953174	HEX. HD. TAPPING SCREW D5X55	2	
41	340753D	STATOR ASS'Y 120V	1	
42	930703	BRUSH TERMINAL	2	
43	331251	HOUSING ASS'Y	1	INCLUD.83.84
44	331210	SLIP CLUTCH ASS'Y	1	
45	331211	BEVEL PINION	1	
46	944109	FEATHER KEY 3X3X8	2	
47	331212	COLLAR	1	
48	313050	OIL SEAL (A)	1	
49	6002DD	BALL BEARING 6002DDCMPS2L	1	
50	331213	WASHER	1	
51	331214	WASHER (A)	1	
52	321281	GEAR HOLDER	1	
53	331218	SPRING (C)	10	
54	331217	NEEDLE	10	
55	331215	SECOND GEAR	1	
56	331219	SPACER	1	
57	629VVM	BALL BEARING 629VVC2PS2L	1	
58	331220	BEARING WASHER (C)	1	
59	992803	SEAL LOCK HEX. SOCKET HD. BOLT M6X20	2	
60	986940	SEAL LOCK HEX. SOCKET HD. BOLT M6X45	4	

Parts

DH38YE2

ITEM NO.	CODE NO.	DESCRIPTION	NO. USED	REMARKS
61	331245	CRANK COVER	1	
62		HITACHI LABEL	2	
63	994192	HEX. SOCKET HD. BOLT (W/FLANGE) M5X16	6	
64	878713	CYLINDER O-RING (B)	1	
65	331523	CRANK CASE	1	
66	331549	SEAL PACKING	1	
67	939540	RETAINING RING FOR D10 SHAFT (10 PCS.)	1	
68	331208	CRANK SHAFT	1	
69	948391	RETAINING RING FOR D40 HOLE	1	
70	6203DD	BALL BEARING 6203DDCMPS2L	1	
71	996363	O-RING (S-40)	1	
72	321274	OIL SEAL (B)	1	
73	331209	FIRST GEAR	1	
74	939299	NEEDLE BEARING (M661)	1	
75	331253	GEAR COVER	1	
76	307947	WING BOLT M6X12	1	
77	331248	MOUNT	1	
78	949556	NUT M6 (10 PCS.)	1	
79	330209	SIDE HANDLE	1	
80	331247	HANDLE BOLT	1	
81	331246	BAND	1	
82	945161	BRUSH CAP	2	
83	999043	CARBON BRUSH (1 PAIR)	2	
84	958900	BRUSH HOLDER	2	
85	938477	HEX. SOCKET SET SCREW M5X8	2	
86	331547	DUST SEAL	1	
87	331202	TAIL COVER	1	
88	982631	WASHER (A)	1	
89	608VVM	BALL BEARING 608VVC2PS2L	1	
90	331254	BEARING HOLDER	1	
91	302089	TAPPING SCREW (W/FLANGE) D5X20 (BLACK)	4	
92		NAME PLATE	1	
93	331204	HANDLE	1	
94	958049	CORD ARMOR D8.2	1	
95	930804	TERMINAL M4.0 (10 PCS.)	1	
96	313093	SWITCH (C) (2P SCREW TYPE W/O LOCK)	1	
97	938307	PILLAR TERMINAL	1	
98	307028	TAPPING SCREW (W/FLANGE) D4X25 (BLACK)	2	
99	331205	HANDLE COVER	1	
100	960266	CORD CLIP	1	
101	984750	TAPPING SCREW (W/FLANGE) D4X16	2	
102	500434Z	CORD	1	

STANDARD ACCESSORIES

DH38YE2

ITEM NO.	CODE NO.	DESCRIPTION	NO. USED	REMARKS
501	993245	DUST COVER	1	
502	331965	CASE	1	
503	971786	STOPPER ROD	1	

OPTIONAL ACCESSORIES

ITEM NO.	CODE NO.	DESCRIPTION	NO. USED	REMARKS
601	981840	GREASE (A) FOR HAMMER.HAMMER DRILL (30G)	1	
602	308471	GREASE FOR HAMMER.HAMMER DRILL (70G)	1	
603	980927	GREASE FOR HAMMER.HAMMER DRILL (500G)	1	
604	320859	SYRINGE (BLOW-OUT BULB TYPE)	1	
605	318085	SYRINGE (BELLOWS TYPE)	1	
606	985376	DRILL BIT D38X400L (D1-1/2"X16")	1	
607	985374	DRILL BIT D13X400L (D1/2"X16")	1	
608	985375	DRILL BIT D25X400L (D1"X16")	1	
609	985377	A-TAPER SHANK ADAPTER	1	
610	985378	B-TAPER SHANK ADAPTER	1	
611	944477	COTTER	1	
612	955165	CENTER PIN (A) 133L FOR CORE BIT D38-150	1	
613	985380	CORE BIT 50MM	1	
614	955159	CORE BIT 105MM	1	
615	984029	CORE BIT SHANK D35 (1-3/8") OR BELOW	1	
616	985379	CORE BIT SHANK D38 (1-1/2") OR ABOVE	1	
617	985383	BULL POINT 300MM (12")	1	
618	985381	COLD CHISEL W25X300L (1"X12")	1	
619	985382	COLD CHISEL W25X460L (1"X18")	1	
620	985384	CUTTER W38X300L (1-1/2"X12")	1	
621	985385	CUTTER W50X300L (2"X12")	1	
622	985386	SCOOP 105X405L (4-1/2"X16")	1	