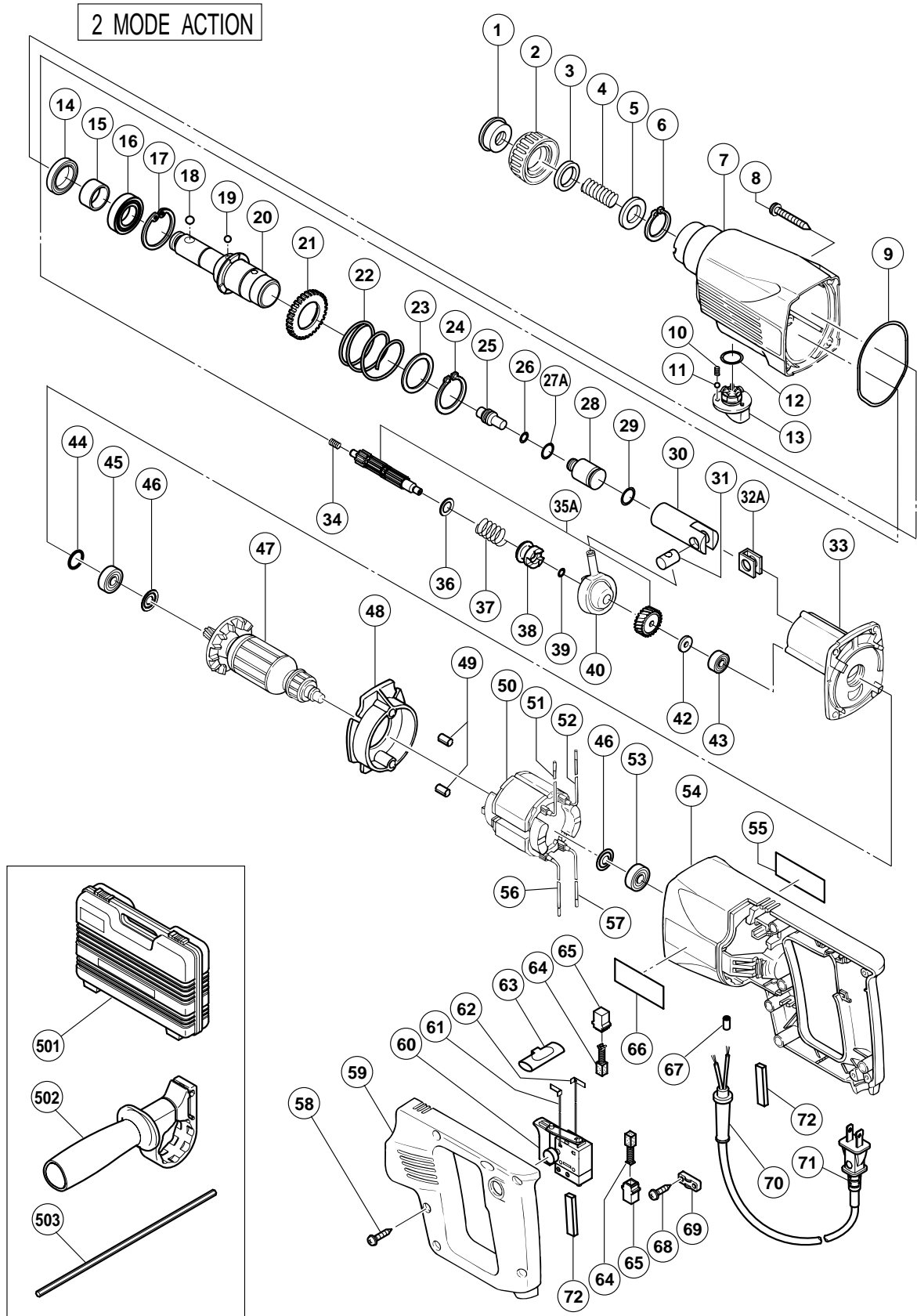


ELECTRIC TOOL PARTS LIST

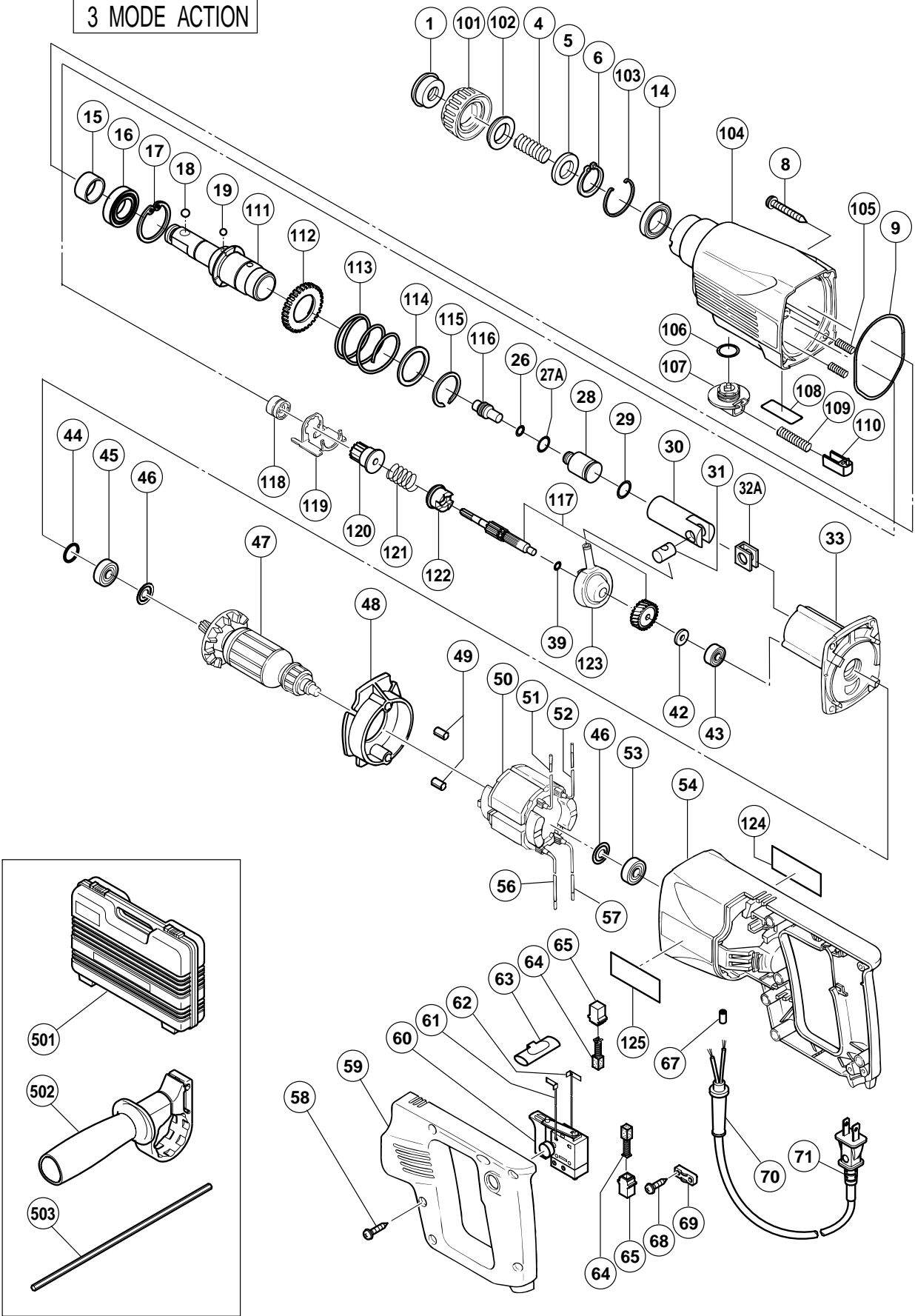
■ HAMMER DRILL Model DH 24PE

2004 • 1 • 20

(E2)



3 MODE ACTION



PARTS

DH 24PE

ITEM NO.	CODE NO.	DESCRIPTION	NO. USED	REMARKS	
	1	306-345	FRONT CAP	1	
*	2	306-992	GRIP	1	FOR 2 MODE ACTION
*	3	306-343	BALL HOLDER	1	FOR 2 MODE ACTION
	4	306-342	HOLDER SPRING	1	
	5	984-118	WASHER (B)	1	
	6	939-547	RETAINING RING FOR D20 SHAFT (10 PCS.)	1	
*	7	314-876	GEAR COVER	1	FOR 2 MODE ACTION
	8	301-654	TAPPING SCREW (W/FLANGE) D5X35	4	
	9	314-881	O-RING	1	
*	10	981-328	SPRING (H)	1	FOR 2 MODE ACTION
*	11	959-155	STEEL BALL D3.97 (10 PCS.)	1	FOR 2 MODE ACTION
*	12	314-878	O-RING	1	FOR 2 MODE ACTION
*	13	314-877	CHANGE LEVER	1	FOR 2 MODE ACTION
	14	307-688	OIL SEAL	1	
	15	307-690	SLEEVE	1	
	16	690-4CM	BALL BEARING 6904CM	1	
	17	986-147	RETAINING RING FOR D37 HOLE	1	
	18	959-156	STEEL BALL D7.0 (10 PCS.)	1	
	19	959-154	STEEL BALL D5.556 (10 PCS.)	3	
*	20	314-882	CYLINDER	1	FOR 2 MODE ACTION
*	21	301-677	SECOND GEAR	1	FOR 2 MODE ACTION
*	22	301-678	SPRING (A)	1	FOR 2 MODE ACTION
*	23	301-679	WASHER (A)	1	FOR 2 MODE ACTION
*	24	948-310	RETAINING RING FOR D30 SHAFT	1	FOR 2 MODE ACTION
*	25	301-671	SECOND HAMMER	1	FOR 2 MODE ACTION
	26	301-672	O-RING (B)	1	
	27A	301-680	O-RING (I.D. 10.5)	1	
	28	315-148	STRIKER	1	
	29	301-670	O-RING (A)	1	
	30	301-668	PISTON	1	
	31	301-666	PISTON PIN	1	
	32A	303-977	WASHER (C)	1	
	33	314-880	INNER COVER	1	
*	34	301-664	SPRING (B)	1	FOR 2 MODE ACTION
*	35A	315-161	GEAR.SHAFT SET	1	FOR 2 MODE ACTION
*	36	301-659	WASHER (B)	1	FOR 2 MODE ACTION
*	37	301-660	CLUTCH SPRING	1	FOR 2 MODE ACTION
*	38	301-661	CLUTCH	1	FOR 2 MODE ACTION
	39	992-912	O-RING (S-8)	1	
*	40	306-990	RECIPROCATING BEARING	1	FOR 2 MODE ACTION
	42	301-663	SPACER	1	
	43	626-VVM	BALL BEARING 626VVC2PS2L	1	
	44	876-796	O-RING (P-22)	1	
	45	608-DDM	BALL BEARING 608DDC2PS2L	1	
	46	982-631	WASHER (A)	2	
	47	360-446U	ARMATURE ASS'Y 110V-115V	1	INCLUD. 45, 46, 53
	48	314-879	FAN GUIDE ASS'Y	1	INCLUD. 49
	49	994-343	RUBBER BUSHING	2	
	50	340-398C	STATOR 110V-115V	1	
	51	314-902	INTERNAL WIRE (A)	1	
	52	314-900	INTERNAL WIRE (A)	1	

PARTS

DH 24PE

ITEM NO.	CODE NO.	DESCRIPTION	NO. USED	REMARKS
53	608-VVM	BALL BEARING 608VVC2PS2L	1	
54	314-897	HOUSING	1	
* 55		NAME PLATE	1	FOR 2 MODE ACTION
56	314-899	INTERNAL WIRE (A)	1	
57	314-901	INTERNAL WIRE (A)	1	
58	301-653	TAPPING SCREW (W/FLANGE) D4X20 (BLACK)	5	
59	314-898	HANDLE COVER	1	
60	314-894	SPEED CONTROL SWITCH (2P)	1	
61	314-895	INTERNAL WIRE (B)	1	
62	314-896	INTERNAL WIRE (B)	1	
63	313-163	PUSHING BUTTON	1	
* 64	999-041	CARBON BRUSH (1 PAIR)	1	
* 64	999-072	CARBON BRUSH (AUTO STOP TYPE) (1 PAIR)	1	
65	955-203	BRUSH HOLDER	2	
* 66		HITACHI LABEL	1	FOR 2 MODE ACTION
67	981-373	TUBE (D)	2	
68	984-750	TAPPING SCREW (W/FLANGE) D4X16	2	
69	937-631	CORD CLIP	1	
* 70	938-051	CORD ARMOR D10.1	1	
* 70	953-327	CORD ARMOR D8.8	1	
* 71	500-214Z	CORD	1	(CORD ARMOR D10.1) FOR TPE
* 71	500-249Z	CORD	1	(CORD ARMOR D8.8)
* 72	315-147	DUST PACKING	2	(TILL 7. 1998) FOR 2 MODE ACTION
* 101	317-229	GRIP	1	FOR 3 MODE ACTION
* 102	317-230	BALL HOLDER	1	FOR 3 MODE ACTION
* 103	317-236	RETAINING RING	1	FOR 3 MODE ACTION
* 104	317-221	GEAR COVER	1	FOR 3 MODE ACTION
* 105	317-238	SPRING (B)	2	FOR 3 MODE ACTION
* 106	878-885	O-RING (S-18)	1	FOR 3 MODE ACTION
* 107	317-222	CHANGE LEVER	1	FOR 3 MODE ACTION
* 108		THREE MODE LABEL	1	FOR 3 MODE ACTION
* 109	317-223	PUSHING SPRING	1	FOR 3 MODE ACTION
* 110	319-321	PUSHING BUTTON	1	FOR 3 MODE ACTION
* 111	317-231	CYLINDER	1	FOR 3 MODE ACTION
* 112	317-232	SECOND GEAR	1	FOR 3 MODE ACTION
* 113	317-233	SPRING (A)	1	FOR 3 MODE ACTION
* 114	317-234	WASHER (A)	1	FOR 3 MODE ACTION
* 115	317-235	RETAINING RING D30	1	FOR 3 MODE ACTION
* 116	317-384	SECOND HAMMER	1	FOR 3 MODE ACTION
* 117	317-226	GEAR.SHAFT SET	1	FOR 3 MODE ACTION
* 118	317-240	PINION SLEEVE	1	FOR 3 MODE ACTION
* 119	318-522	LOCK PLATE	1	FOR 3 MODE ACTION
* 120	317-239	SECOND PINION	1	FOR 3 MODE ACTION
* 121	321-688	CLUTCH SPRING	1	FOR 3 MODE ACTION
* 122	317-228	CLUTCH	1	FOR 3 MODE ACTION
* 123	317-225	RECIPROCATING BEARING	1	FOR 3 MODE ACTION
* 124		NAME PLATE	1	FOR 3 MODE ACTION
* 125		HITACHI LABEL	1	FOR 3 MODE ACTION

