

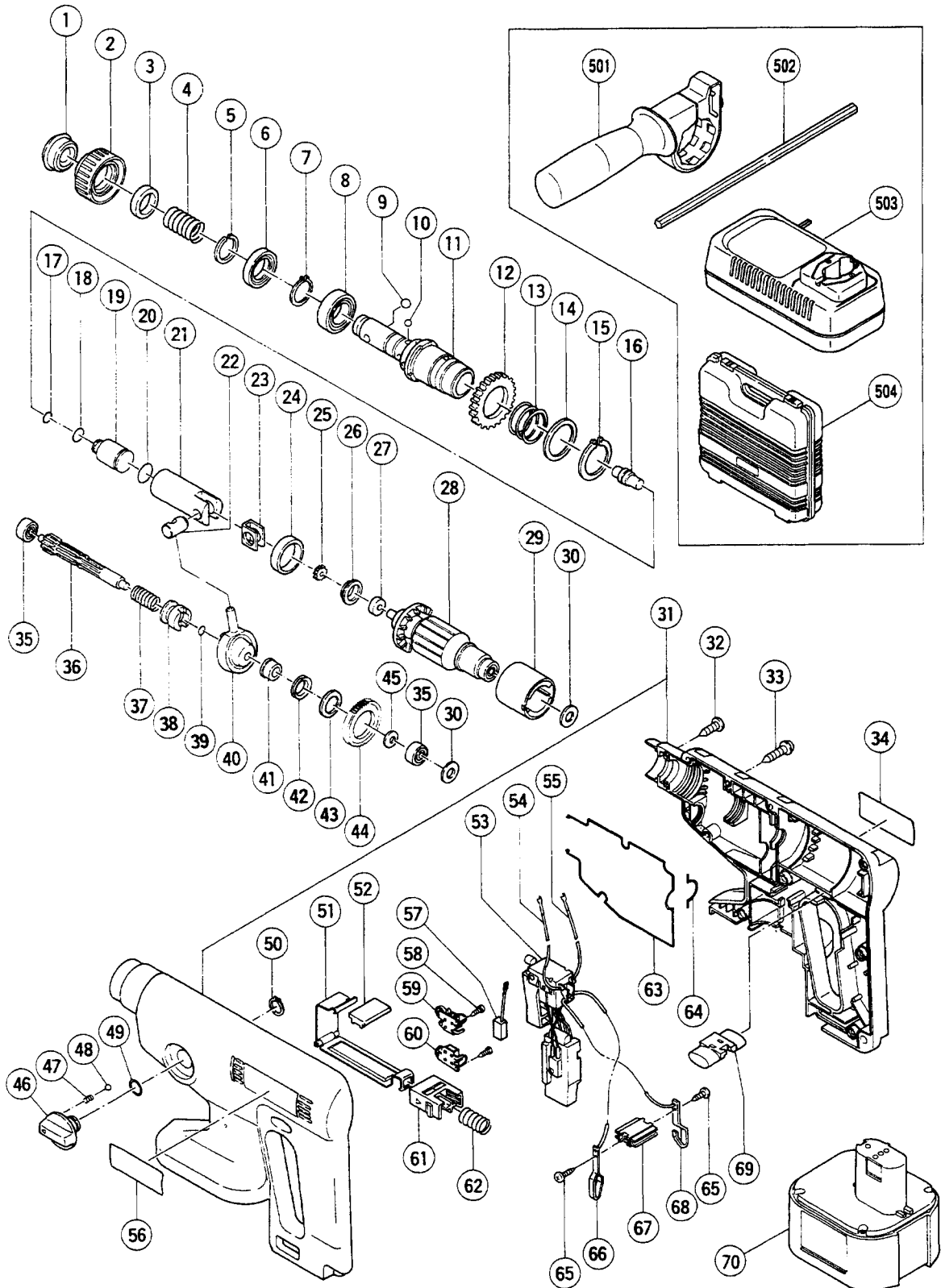
## ELECTRIC TOOL PARTS LIST

■ CORDLESS HAMMER DRILL

1998·8·31

Model DH 20DV

(E1)



## PARTS

DH 20DV

ITEM No.	CODE NO.	DESCRIPTION	NO. USED	REMARKS
1	306-345	FRONT CAP	1	
2	306-992	GRIP	1	
3	306-343	BALL HOLDER	1	
4	306-342	HOLDER SPRINC	1	
5	306-993	RETAINING RING	1	
6	301-683	OIL SEAL	1	
7	939-547	RETAINING RING FOR D20 SHAFT (10 PCS.)	1	
8	690-4CM	BALL BEARING 6904CM	1	
9	959-156	STEEL BALL D7.0 (10 PCS.)	2	
10	959-154	STEEL BALL D5.556 (10 PCS.)	4	
11	306-987	CYLINDER	1	
12	303-974	SECOND GEAR	1	
13	316-135	SPRING (A)	1	
14	301-679	WASHER (A)	1	
15	948-310	RETAINING RING FOR D30 SHAFT	1	
16	301-671	SECOND HAMMER	1	
17	301-672	O-RING (B)	1	
18	303-972	O-RING (D)	1	
19	315-148	STRIKER	1	
20	301-670	O-RING (A)	1	
21	301-668	PISTON	1	
22	301-666	PISTON PIN	1	
23	303-977	WASHER (C)	1	
24	303-976	METAL	1	
25	316-139	PINION	1	
26	316-148	SLEEVE	1	
27	316-149	FELT	1	
28	360-473	ARMATURE D.C 24V	1	
29	316-153	MAGNET	1	
30	948-213	WASHER (B) D19	2	
31	316-957	HOUSING (A).(B) SET	1	
32	303-970	TAPPING SCREW (CLASS 2) D4X14	2	
33	301-653	TAPPING SCREW (W/FLANGE) D4X20 (BLACK)	9	
34		NAME PLATE	1	
35	626-VVM	BALL BEARING 626VVMC2ERPS2S	2	
36	306-989	SECOND PINION	1	
37	303-979	CLUTCH SPRING	1	
38	301-661	CLUTCH	1	
39	992-912	O-RING (S-8)	1	
40	306-990	RECIPROCATING BEARING	1	
41	316-136	COLLAR	1	
42	316-137	V-RING	1	
43	316-138	WASHER	1	
44	316-134	FIRST GEAR	1	
45	995-634	WASHER (B) D12.5	1	
46	316-133	CHANGE LEVER	1	
47	981-328	SPRING (H)	1	
48	959-155	STEEL BALL D3.97 (10 PCS.)	1	
49	876-319	O-RING (S-14)	1	
50	939-543	RETAINING RING FOR D14 SHAFT (10 PCS.)	1	
51	316-142	PLATE	1	

\* : ALTERNATIVE PARTS

8 - 98

**PARTS**

DH 20DV

ITEM No.	CODE NO.	DESCRIPTION	NO. USED	REMARKS
52	313-591	RUBBER HOLDER	1	
53	316-154	SWITCH	1	
54	316-156	INTERNAL WIRE	1	
55	316-155	INTERNAL WIRE	1	
56		HITACHI LABEL	1	
57	999-055	CARBON BRUSH (1 PAIR)	2	
58	306-945	TAPPING SCREW D3X10	4	
59	316-143	BRUSH HOLDER (L)	1	
60	316-144	BRUSH HOLDER (R)	1	
61	316-147	SLIDE LEVER	1	
62	313-592	SPRING	1	
63	316-140	RUBBER SEAL (A)	1	
64	316-141	RUBBER SEAL (B)	1	
65	958-715	TAPPING SCREW D4X10	2	
66	303-989	TERMINAL	1	
67	316-956	TERMINAL PIECE	1	
68	303-990	TERMINAL	1	
69	303-969	PUSHING BUTTON	1	
* 70	316-959	BATTERY EB 24B(W/ENGLISH N.P)	1	
* 70	316-965	BATTERY EB 24B(W/ENGLISH N.P)	1	FOR USA

**STANDARD ACCESSORIES**

ITEM No.	CODE NO.	DESCRIPTION	NO. USED	REMARKS
501	303-659	SIDE HANDLE	1	
502	303-709	DEPTH GAUGE	1	
503		CHARGER (MODEL UC 24YF)	1	
504	316-157	CASE	1	

OPTIONAL ACCESSORIES

DH 20DV

ITEM No.	CODE NO.	DESCRIPTION	NO. USED	REMARKS
601	944-460	TAPER SHANK DRILL BIT D11X100	1	
602	944-461	TAPER SHANK DRILL BIT D12.3X110	1	
603	944-462	TAPER SHANK DRILL BIT D14.3X110	1	
604	944-500	TAPER SHANK DRILL BIT D14.5X110	1	
605	944-463	TAPER SHANK DRILL BIT D17.5X120	1	
606	303-617	TAPER SHANK ADAPTER (SDS PLUS) NO.1	1	
607	303-619	A-TAPER SHANK ADAPTER (SDS PLUS)	1	
608	303-620	B-TAPER SHANK ADAPTER (SDS PLUS)	1	
609	944-477	COTTER	1	
610	303-332	HAMMER DRILL CHUCK SET 13MM	1	INCLUD.611,612
611	303-334	CHUCK HANDLE	1	
612	303-335	RUBBER CAP	1	
613	302-976	ANCHOR SETTING ADAPTER A (SDS+)W1/4X260L	1	
614	302-975	ANCHOR SETTING ADAPTER A(SDS+)W5/16X260L	1	
615	303-621	ANCHOR SETTING ADAPTER A (SDS+)W3/8X160L	1	
616	302-974	ANCHOR SETTING ADAPTER A (SDS+)W3/8X260L	1	
617	302-979	ANCHOR SETTING ADAPTER B (SDS+)W1/4X260L	1	
618	302-978	ANCHOR SETTING ADAPTER B(SDS+)W5/16X260L	1	
619	303-622	ANCHOR SETTING ADAPTER B (SDS+)W3/8X160L	1	
620	302-977	ANCHOR SETTING ADAPTER B (SDS+)W3/8X260L	1	
621	971-794	ANCHOR SETTING ADAPTER A W1/4" (MANUAL)	1	
622	971-795	ANCHOR SETTING ADAPTER A W5/16" (MANUAL)	1	
623	971-796	ANCHOR SETTING ADAPTER A W3/8" (MANUAL)	1	
624	971-797	ANCHOR SETTING ADAPTER A W1/2" (MANUAL)	1	
625	971-798	ANCHOR SETTING ADAPTER A W5/8" (MANUAL)	1	
626	971-799	ANCHOR SETTING ADAPTER B W1/4" (MANUAL)	1	
627	971-800	ANCHOR SETTING ADAPTER B W5/16" (MANUAL)	1	
628	971-801	ANCHOR SETTING ADAPTER B W3/8" (MANUAL)	1	
629	971-802	ANCHOR SETTING ADAPTER B W1/2" (MANUAL)	1	
630	971-803	ANCHOR SETTING ADAPTER B W5/8" (MANUAL)	1	
631	950-275	DRILL CHUCK 13VLR	1	INCLUD.632,633
632	930-515	CHUCK WRENCH 10G	1	
633	981-122	SPECIAL SCREW M6X22	1	
634	950-272	DRILL CHUCK 13VLA	1	INCLUD.632
635	303-820	DRILL CHUCK AND ADAPTER SET (SDS PLUS)	1	INCLUD.631,636
636	303-623	CHUCK ADAPTER (G) (SDS PLUS)	1	
637	303-624	CHUCK ADAPTER (D) (SDS PLUS)	1	
638	971-511Z	+ DRIVER BIT (A) NO.2 25L	1	
639	971-512Z	+ DRIVER BIT (A) NO.3 25L	1	
640	971-787	DUST CUP	1	
641	306-885	DUST COLLECTOR (B) ASS'Y	1	INCLUD.642
642	306-910	SOCKET ADAPTOR (B)	1	
643	308-776	DUST COLLECTOR SET	1	INCLUD.644
644	308-774	ADAPTER (A)	1	
645	306-927	SILICON RUBBER	1	

\* : ALTERNATIVE PARTS