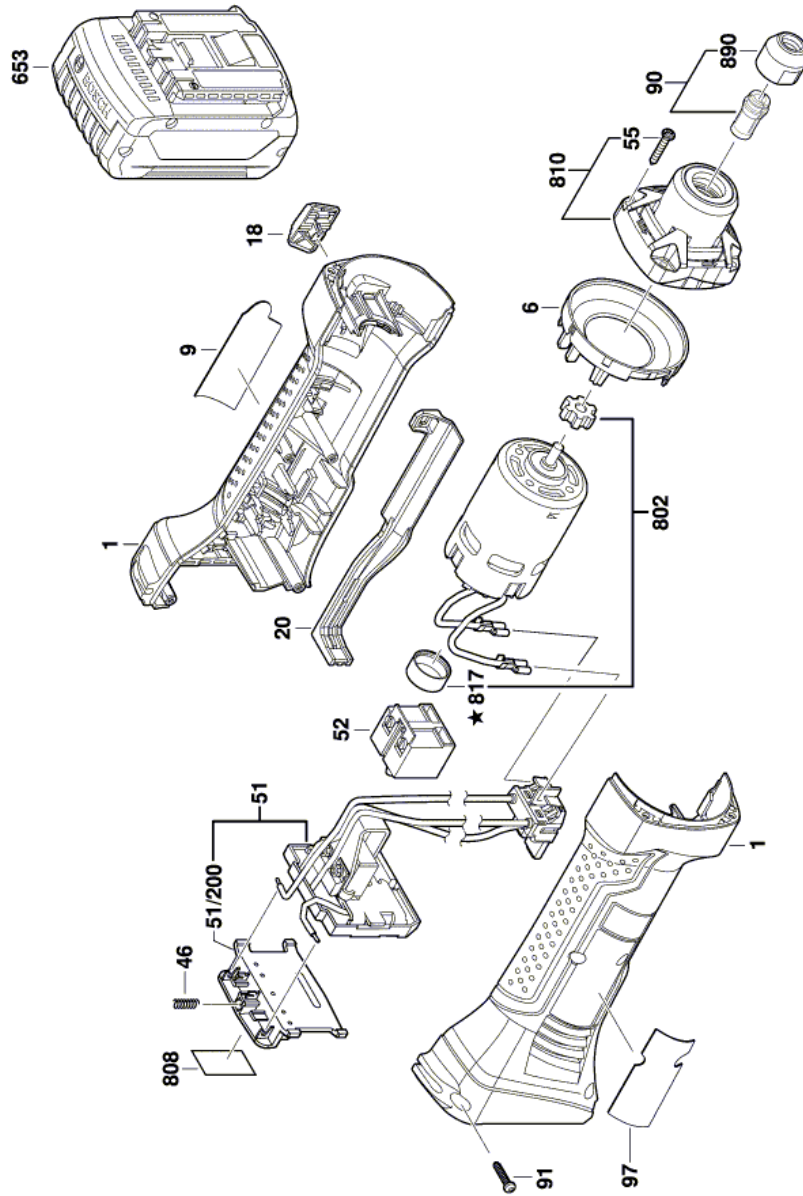


Illustration - Type E

3 601 JB5 310
Stand } 13-09-16
Issue } 13-09-17

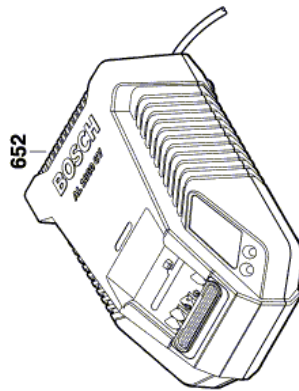
Fig./Abb. 1



★ Alternativ
Alternatif
Alternatif
Alternativo

Änderungen vorbehalten
Modifications reserved
Modificacions reserveses
Salvo modificaciones

Illustration - Type E



3 601 JB5 310
Stand }
Issue } 11-10-18 **Fig./Abb. 2**

Anderungen vorbehalten
Modifications reserved
Modificacions reserves
Salvo modificaciones

Information subject to change without further notice.

Cordless straight grinder - 3 601 JB5 310 - DGSH18...

www.powertools-aftersaleservice.com



BOSCH

Item	Part Number	Description	Illustration	Price	Quantity	Price Group
1	1 605 108 282	Housing Section BLUE	1	-,-	1	30
6	1 600 591 046	Air-Deflector Ring	1	-,-	1	12
9	1 601 118 K85	Manufacturer's nameplate	1	-,-	1	13
18	1 619 P09 290	Switch Button	1	-,-	1	10
20	1 602 319 023	Adjusting Slide	1	-,-	1	20
46	1 609 280 477	Compression Spring	1	-,-	1	11
51	1 607 233 340	Electronics Module	1	-,-	1	38
51/200	1 609 280 478	Contact retainer	1	-,-	1	26
52	2 607 202 071	On-Off Switch	1	-,-	1	27
55	2 603 490 024	Torx Oval-Head Screw 4x25	1	-,-	4	11
90	3 607 030 482	Clamping Unit	1	-,-	1	30
91	1 603 435 071	Thread-forming tap. Screw	1	-,-	4	10
97	3 601 110 542	Warning Plate	1	-,-	1	13
652	2 607 225 429	Fast Charger USA 120/10,8-18V, 1h	2	-,-	1	41
653	2 607 336 819	Battery Pack BBS MR-XL 18V, 4,0Ah, LI	1	-,-	1	51
802	1 617 000 6B0	DC motor 18V	1	-,-	1	45
808	3 601 119 867	Nameplate	1	-,-	1	13
810	3 607 031 703	Spindle nose	1	-,-	1	47
817	1 600 A00 1PY	Cover	1	-,-	1	10
890	3 603 313 006	Round Nut	1	-,-	1	21