

## Straight Grinders - 3 601 B22 110 - DG 490 CE

www.powertools-aftersaleservice.com

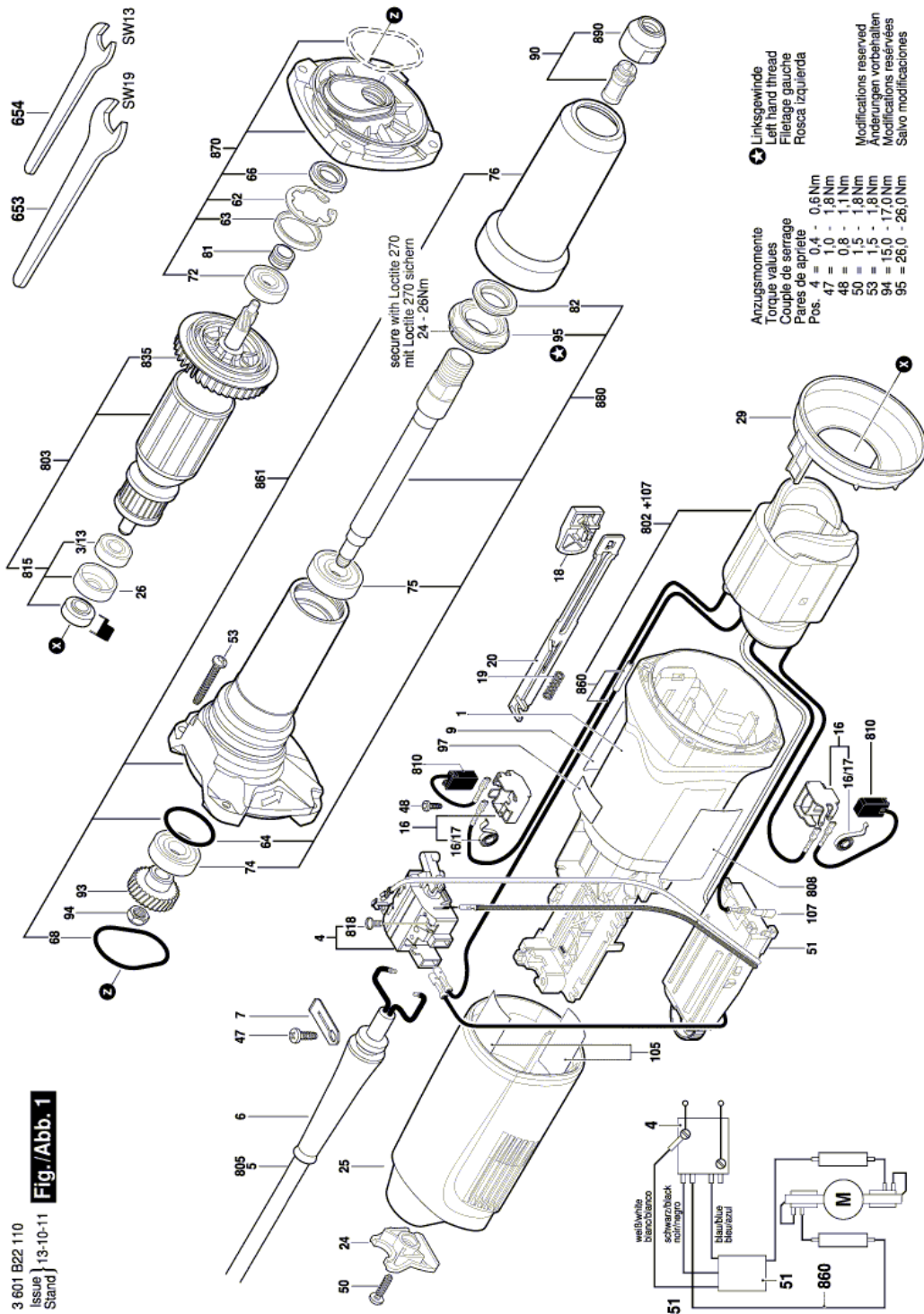


**BOSCH**

Item	Part Number	Description	Illustration	Price	Quantity	Price Group
	1 3 605 108 224	Motor Housing		1	-,-	1 22
3/13	2 600 905 032	Deep-Groove Ball Bearing 7x19x6		1	-,-	1 17
	4 1 607 200 199	Switch		1	-,-	1 24
	5 1 604 460 336	Power supply cord USA/CAN/SMA 2,68m 2 x 1,31mm SJ 16/2		1	-,-	1 26
	6 1 600 703 040	Grommet		1	-,-	1 12
	7 1 601 302 017	Fastening Clamp		1	-,-	1 10
	9 3 601 110 555	Manufacturer's nameplate		1	-,-	1 13
	16 1 601 323 025	Brush Holder		1	-,-	2 15
16/17	1 604 652 013	Spiral Spring		1	-,-	2 11
	18 1 602 026 088	Switch Handle		1	-,-	1 10
	19 1 604 611 026	Compression Spring		1	-,-	1 10
	20 1 602 319 010	Adjusting Slide BLACK		1	-,-	1 11
	24 1 605 500 227	Cover		1	-,-	1 12
	25 1 605 500 251	Housing Cover DARK BLUE		1	-,-	1 20
	26 1 600 206 036	Rubber Ring		1	-,-	1 11
	29 1 600 591 025	Air-Deflector Ring		1	-,-	1 13
	47 2 603 490 021	Torx Oval-Head Screw 4x12		1	-,-	1 10
	48 1 613 435 034	Lens Head Screw 3x10 ST		1	-,-	2 10
	50 2 603 490 023	Torx Oval-Head Screw 4x20		1	-,-	1 10
	51 1 607 233 451	Speed governor		1	-,-	1 37
	53 2 603 490 026	Lens Head Screw 4x32		1	-,-	4 10
	62 1 600 119 011	Spring retaining ring		1	-,-	1 11
	63 1 600 206 025	Rubber Ring		1	-,-	1 12
	64 1 610 210 101	O-Ring 26,0x2,0 MM GREEN		1	-,-	1 12
	66 1 600 290 016	Rotary shaft lip seal		1	-,-	1 12
	68 2 600 210 019	O-Ring 33,0x2,0 MM		1	-,-	1 11
	72 1 600 905 032	Deep-Groove Ball Bearing 8x22x7		1	-,-	1 18
	74 1 900 905 173	Deep-Groove Ball Bearing 6000-2RS DIN 625		1	-,-	1 17
	75 3 600 905 157	Deep-Groove Ball Bearing		1	-,-	1 22
	76 3 605 500 194	Protective Sleeve		1	-,-	1 22
	81 3 600 400 035	Sleeve		1	-,-	1 15
	82 3 600 103 020	Sealing disk		1	-,-	1 14
	90 3 607 030 482	Clamping Unit		1	-,-	1 30

Item	Part Number	Description	Illustration	Price	Quantity	Price Group
93	3 606 312 004	Cylindrical Gear	1	-,-	1	26
94	1 603 300 016	Hex Nut M7, SW10	1	-,-	1	11
95	3 600 328 043	Flange	1	-,-	1	30
97	3 601 110 550	Warning Plate	1	-,-	1	13
105	1 601 008 005	Insulating Plate	1	-,-	2	14
107	1 600 712 030	Insulating Part	1	-,-	1	11
653	3 607 950 024	Single-Head Eng. Wrench SW19	1	-,-	2	21
654	3 607 950 025	Single-Head Eng. Wrench SW13	1	-,-	1	20
802	3 607 031 675	Field 110V	1	-,-	1	38
803	3 607 031 678	Armature With Fan 110V	1	-,-	1	42
808	1 601 106 032	Nameplate 26x52 MM	1	-,-	1	13
810	1 607 014 176	Carbon-Brush Set	1	-,-	1	25
815	1 607 000 378	Parts Set	1	-,-	1	19
818	2 910 110 048	Pan head screw DIN 85-AM3x6-CUZN	1	-,-	1	10
835	1 606 610 132	Fan	1	-,-	1	12
860	1 604 448 023	Connecting Cable	1	-,-	1	11
861	3 607 031 673	Spindle Housing	1	-,-	1	42
870	3 607 031 672	Intermediate Flange	1	-,-	1	37
880	3 607 031 671	Grinding Spindle	1	-,-	1	46
890	3 603 313 006	Round Nut	1	-,-	1	21

Illustration - Type E



Information subject to change without further notice.