

Straight Grinders - 3 601 B21 110 - DG 355 LCE

www.powertools-aftersaleservice.com

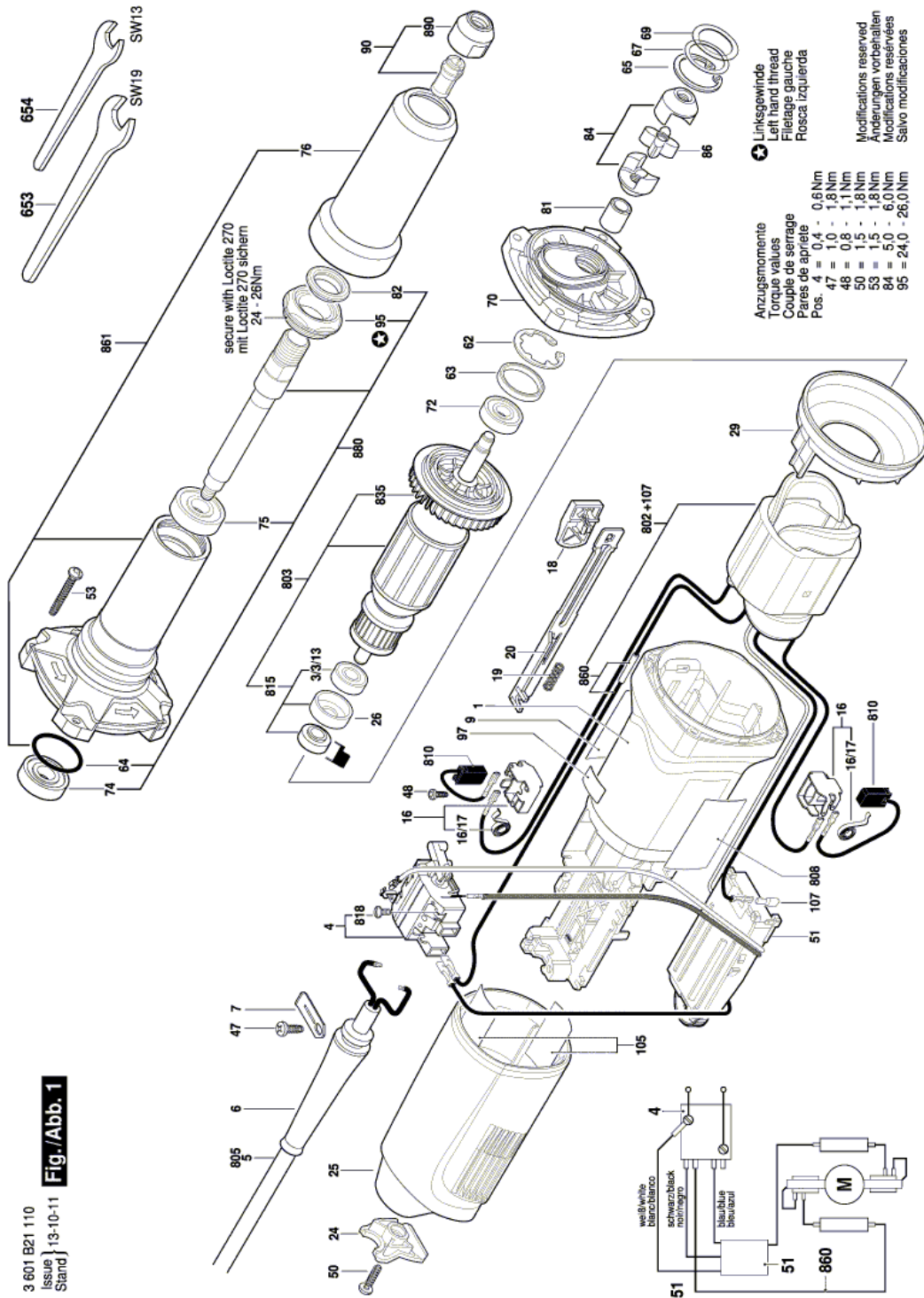


BOSCH

| Item | Part Number | Description | Illustration | Price | Quantity | Price Group |
|--------|------------------|--|--------------|-------|----------|-------------|
| | 1 3 605 108 224 | Motor Housing | | 1 | -,- | 1 22 |
| 3/3/13 | 2 600 905 032 | Deep-Groove Ball Bearing 7x19x6 | | 1 | -,- | 1 17 |
| | 4 1 607 200 199 | Switch | | 1 | -,- | 1 24 |
| | 5 1 604 460 336 | Power supply cord USA/CAN/SMA 2,68m 2 x 1,31mm SJ 16/2 | | 1 | -,- | 1 26 |
| | 6 1 600 703 040 | Grommet | | 1 | -,- | 1 12 |
| | 7 1 601 302 017 | Fastening Clamp | | 1 | -,- | 1 10 |
| | 9 3 601 110 554 | Manufacturer's nameplate | | 1 | -,- | 1 13 |
| | 16 1 601 323 025 | Brush Holder | | 1 | -,- | 2 15 |
| 16/17 | 1 604 652 013 | Spiral Spring | | 1 | -,- | 2 11 |
| | 18 1 602 026 088 | Switch Handle | | 1 | -,- | 1 10 |
| | 19 1 604 611 026 | Compression Spring | | 1 | -,- | 1 10 |
| | 20 1 602 319 010 | Adjusting Slide BLACK | | 1 | -,- | 1 11 |
| | 24 1 605 500 227 | Cover | | 1 | -,- | 1 12 |
| | 25 1 605 500 251 | Housing Cover DARK BLUE | | 1 | -,- | 1 20 |
| | 26 1 600 206 036 | Rubber Ring | | 1 | -,- | 1 11 |
| | 29 1 600 591 025 | Air-Deflector Ring | | 1 | -,- | 1 13 |
| | 47 2 603 490 021 | Torx Oval-Head Screw 4x12 | | 1 | -,- | 1 10 |
| | 48 1 613 435 034 | Lens Head Screw 3x10 ST | | 1 | -,- | 2 10 |
| | 50 2 603 490 023 | Torx Oval-Head Screw 4x20 | | 1 | -,- | 1 10 |
| | 51 1 607 233 555 | Speed governor | | 1 | -,- | 1 36 |
| | 53 2 603 490 026 | Lens Head Screw 4x32 | | 1 | -,- | 4 10 |
| | 62 1 600 119 011 | Spring retaining ring | | 1 | -,- | 1 11 |
| | 63 1 600 206 025 | Rubber Ring | | 1 | -,- | 1 12 |
| | 64 1 610 210 101 | O-Ring 26,0x2,0 MM GREEN | | 1 | -,- | 1 12 |
| | 65 2 916 660 010 | Spring retaining ring DIN 472-26x1,2 MM | | 1 | -,- | 1 10 |
| | 67 3 600 150 011 | Shim | | 1 | -,- | 1 11 |
| | 69 1 710 102 601 | Shim 0,10 MM | | 1 | -,- | 1 10 |
| | 70 3 605 700 186 | Intermediate Flange | | 1 | -,- | 1 38 |
| | 72 1 600 905 032 | Deep-Groove Ball Bearing 8x22x7 | | 1 | -,- | 1 18 |
| | 74 3 600 905 156 | Deep-Groove Ball Bearing 10x26x8 | | 1 | -,- | 1 22 |
| | 75 3 600 905 157 | Deep-Groove Ball Bearing | | 1 | -,- | 1 22 |
| | 76 3 605 500 194 | Protective Sleeve | | 1 | -,- | 1 22 |
| | 81 3 600 400 034 | Spacer Sleeve | | 1 | -,- | 1 16 |

| Item | Part Number | Description | Illustration | Price | Quantity | Price Group |
|------|---------------|----------------------------------|--------------|-------|----------|-------------|
| 82 | 3 600 103 020 | Sealing disk | 1 | -,- | 1 | 14 |
| 84 | 3 606 445 045 | Coupling Half | 1 | -,- | 2 | 30 |
| 86 | 3 606 337 242 | Carrier | 1 | -,- | 1 | 13 |
| 90 | 3 607 030 482 | Clamping Unit | 1 | -,- | 1 | 30 |
| 95 | 3 600 328 043 | Flange | 1 | -,- | 1 | 30 |
| 97 | 3 601 110 550 | Warning Plate | 1 | -,- | 1 | 13 |
| 105 | 1 601 008 005 | Insulating Plate | 1 | -,- | 2 | 14 |
| 107 | 1 600 712 030 | Insulating Part | 1 | -,- | 1 | 11 |
| 653 | 3 607 950 024 | Single-Head Eng. Wrench SW19 | 1 | -,- | 2 | 21 |
| 654 | 3 607 950 025 | Single-Head Eng. Wrench SW13 | 1 | -,- | 1 | 20 |
| 802 | 3 607 031 719 | Field assembly 110V | 1 | -,- | 1 | 39 |
| 803 | 3 607 030 479 | Armature 110V | 1 | -,- | 1 | 43 |
| 808 | 1 601 106 032 | Nameplate 26x52 MM | 1 | -,- | 1 | 13 |
| 810 | 1 607 014 176 | Carbon-Brush Set | 1 | -,- | 1 | 25 |
| 815 | 1 607 000 378 | Parts Set | 1 | -,- | 1 | 19 |
| 818 | 2 910 110 048 | Pan head screw DIN 85-AM3x6-CUZN | 1 | -,- | 1 | 10 |
| 835 | 1 606 610 129 | Fan | 1 | -,- | 1 | 12 |
| 860 | 1 604 448 023 | Connecting Cable | 1 | -,- | 1 | 11 |
| 861 | 3 607 031 668 | Spindle Housing | 1 | -,- | 1 | 42 |
| 880 | 3 607 031 667 | Grinding Spindle | 1 | -,- | 1 | 47 |
| 890 | 3 603 313 006 | Round Nut | 1 | -,- | 1 | 21 |

Illustration - Type E



Information subject to change without further notice.