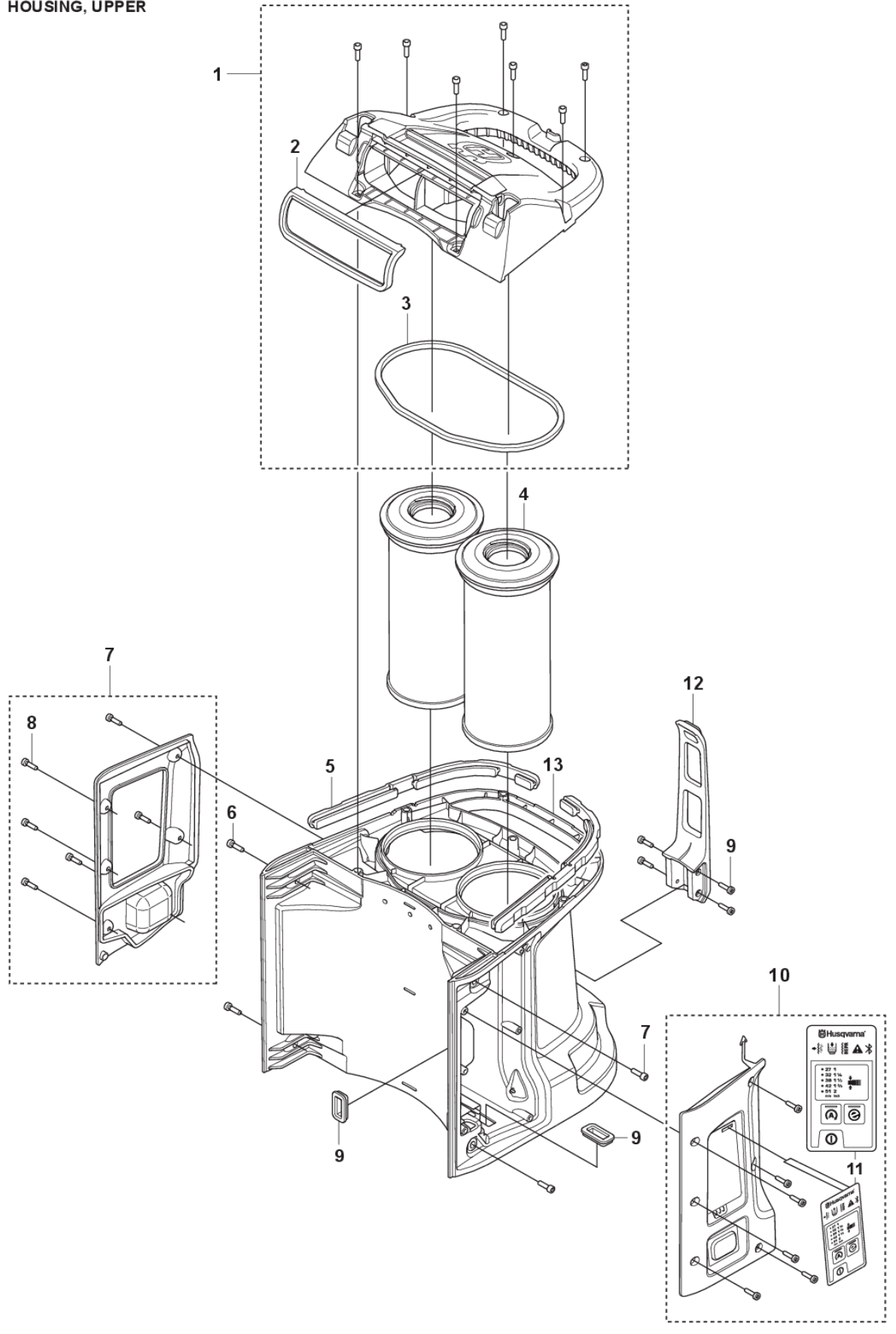


SPARE PARTS CATALOGUE
: HUSQVARNA DE 120 PACE

Spare Parts List
Frequent Parts

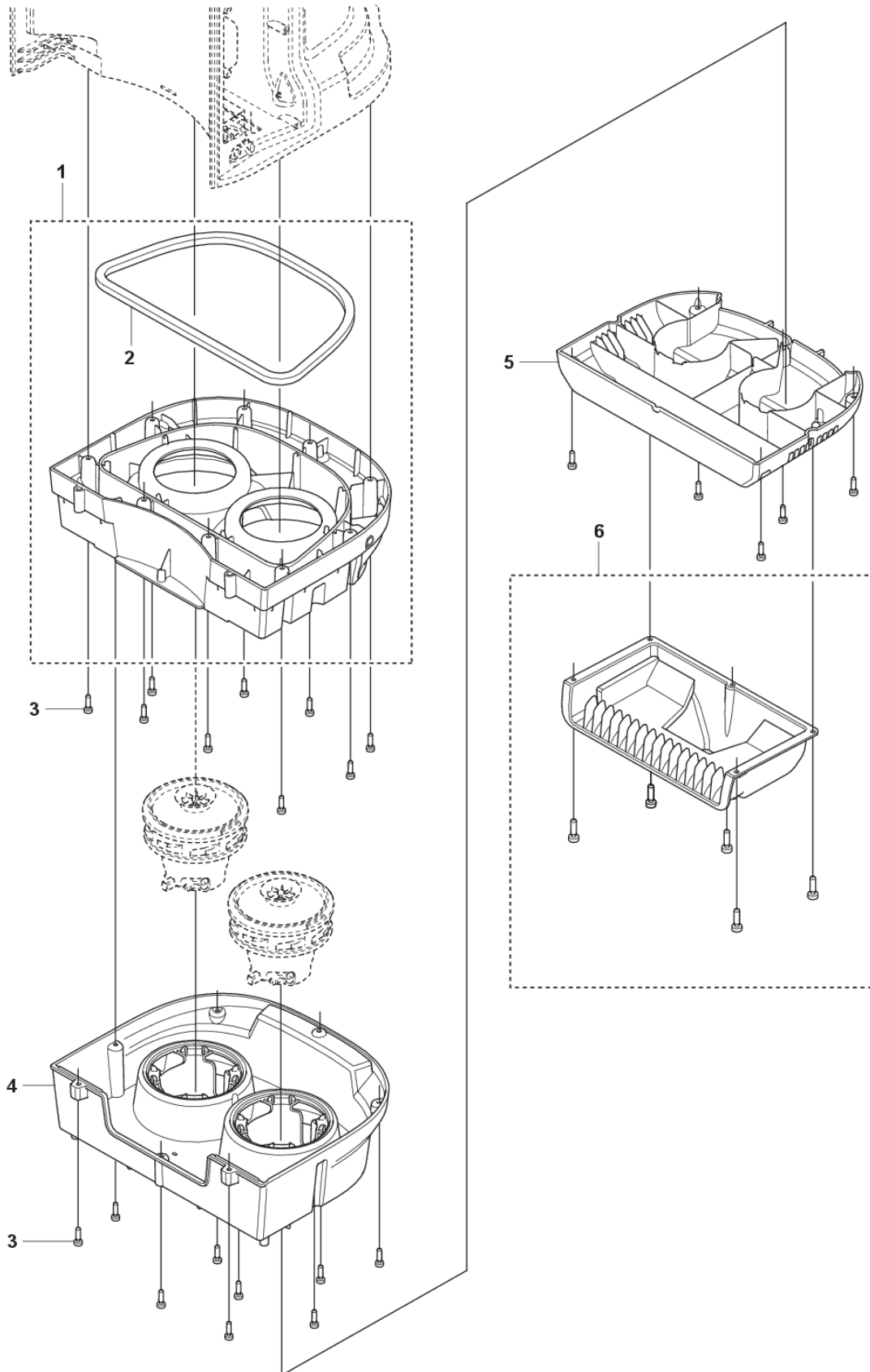
SPARE PARTS LIST

DE 120H PACE
HOUSING, UPPER



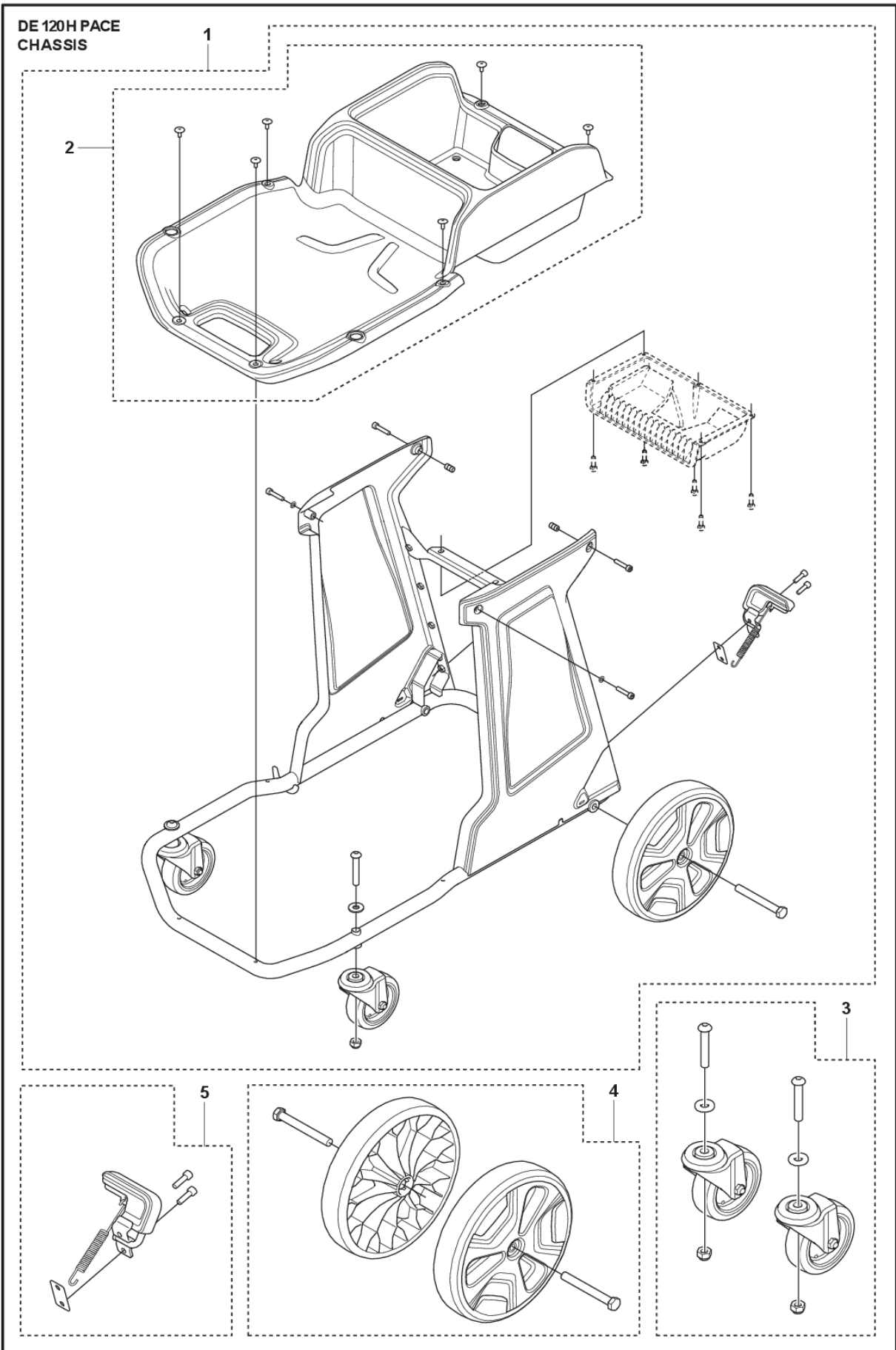
REF.	PART NO.	DESCRIPTION	REMARK	QTY.	KIT
1	535276801	COVER		1	
2	599777401	SEALING		1	
3	599777501	SEALING		1	
4	534123601	FILTER		2	
5	599777601	BUMPER		2	
7	725537006	SCREW IHSCM		4	
9	599608301	SCREW ITXSCT		16	
10	599624101	SEALING		2	
11	535277001	LID		1	
12	599445004	KEYPAD		1	
13	599379601	STRAP		1	
14	529344101	HOUSING		1	
15	529903301	HANGER		2	

**DE 120H PACE
HOUSING, LOWER**



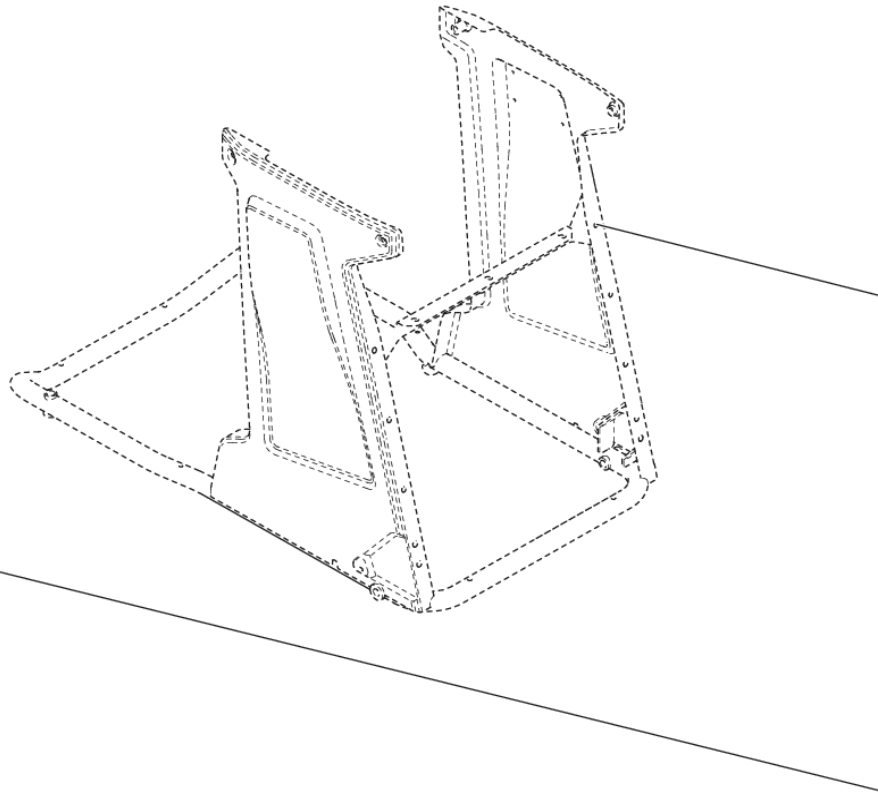
REF.	PART NO.	DESCRIPTION	REMARK	QTY.	KIT
1	535277101	COVER		1	
2	599988601	COVER		1	
3	599608301	SCREW ITXSCT		16	
4	599988401	MOTOR HOUSING		1	
5	599988501	COVER		1	

DE 120H PACE
CHASSIS

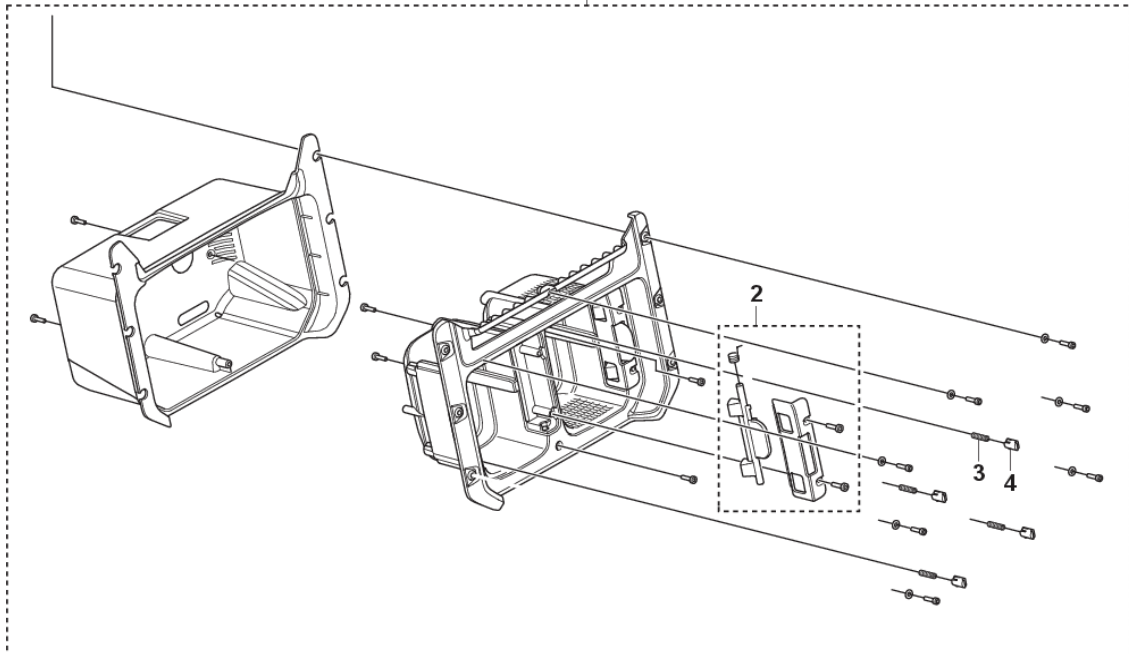


REF.	PART NO.	DESCRIPTION	REMARK	QTY.	KIT
1	599812202	FRAME ASSY		1	
2	535277401	TRAY		1	
4	535277201	REAR WHEEL		1	
5	529746601	BRAKE ASSY		2	

DE 120H PACE
BATTERY HOLDER



1



2

3

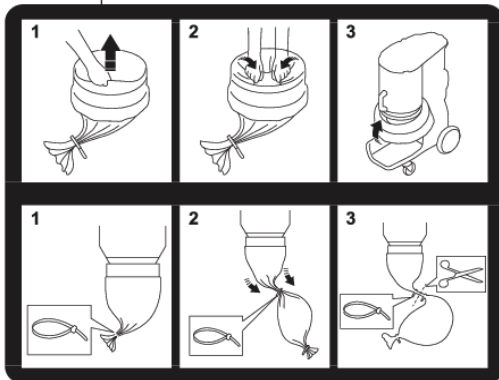
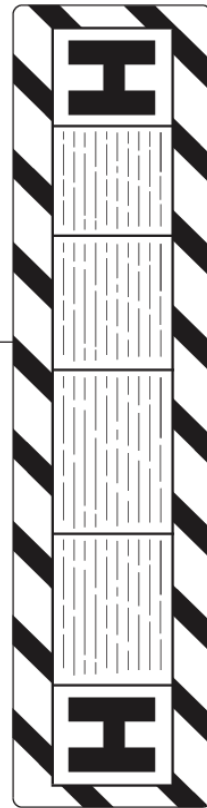
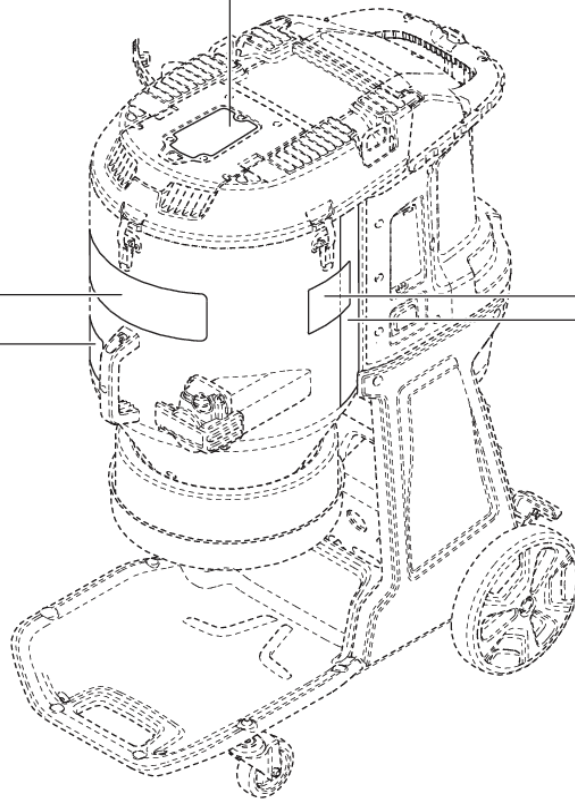
4

REF.	PART NO.	DESCRIPTION	REMARK	QTY.	KIT
1	531022801	BATTERY SYSTEM		1	
2	535397601	BATTERY KIT	LEFT	1	
2	535397701	BATTERY KIT	RIGHT	1	
3	536979701	SPRING		4	
4	577996601	PUSH BUTTON		4	

DE 120H PACE
DECALS

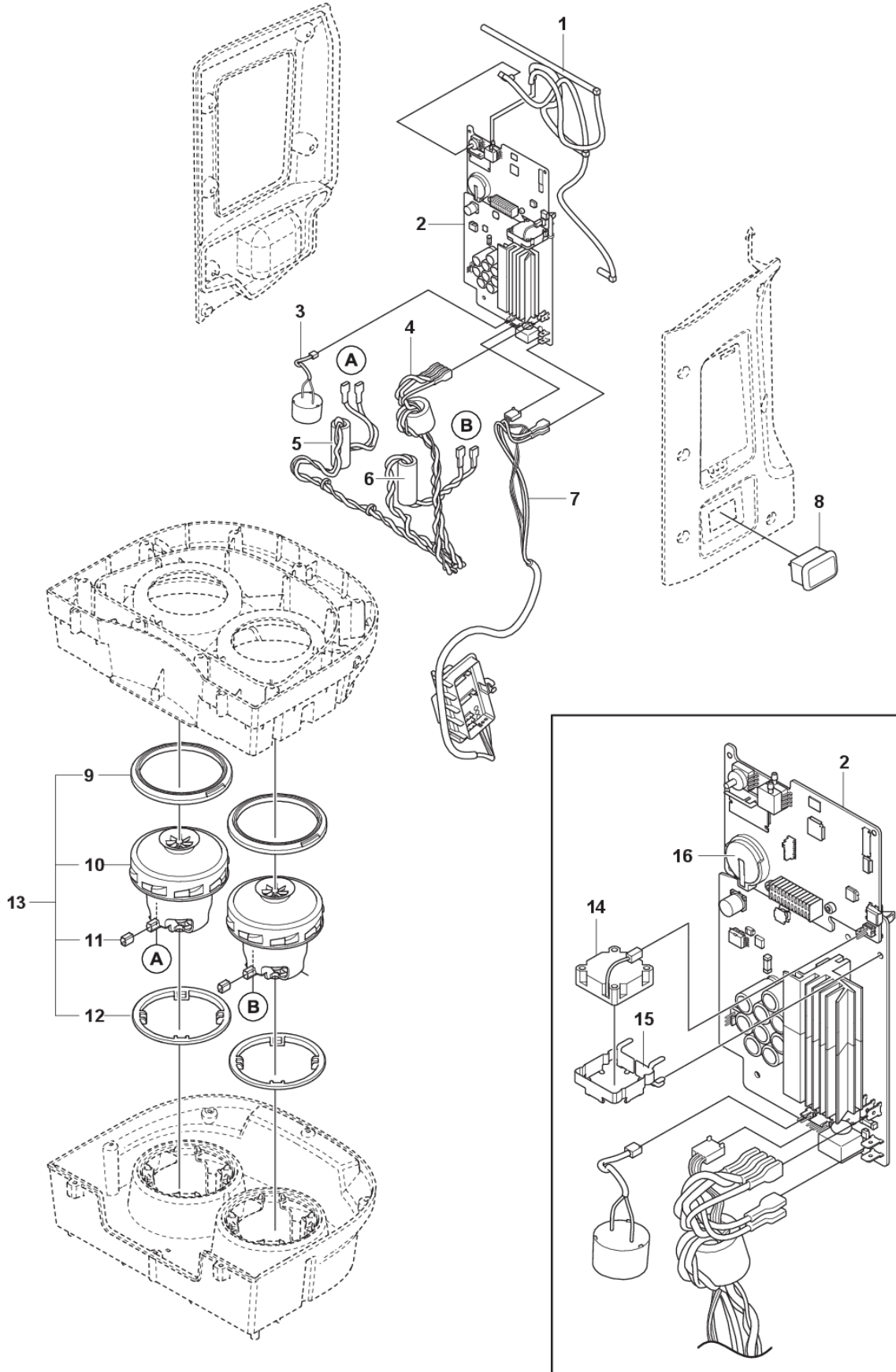
1

 **Husqvarna**
DE 120 PACE



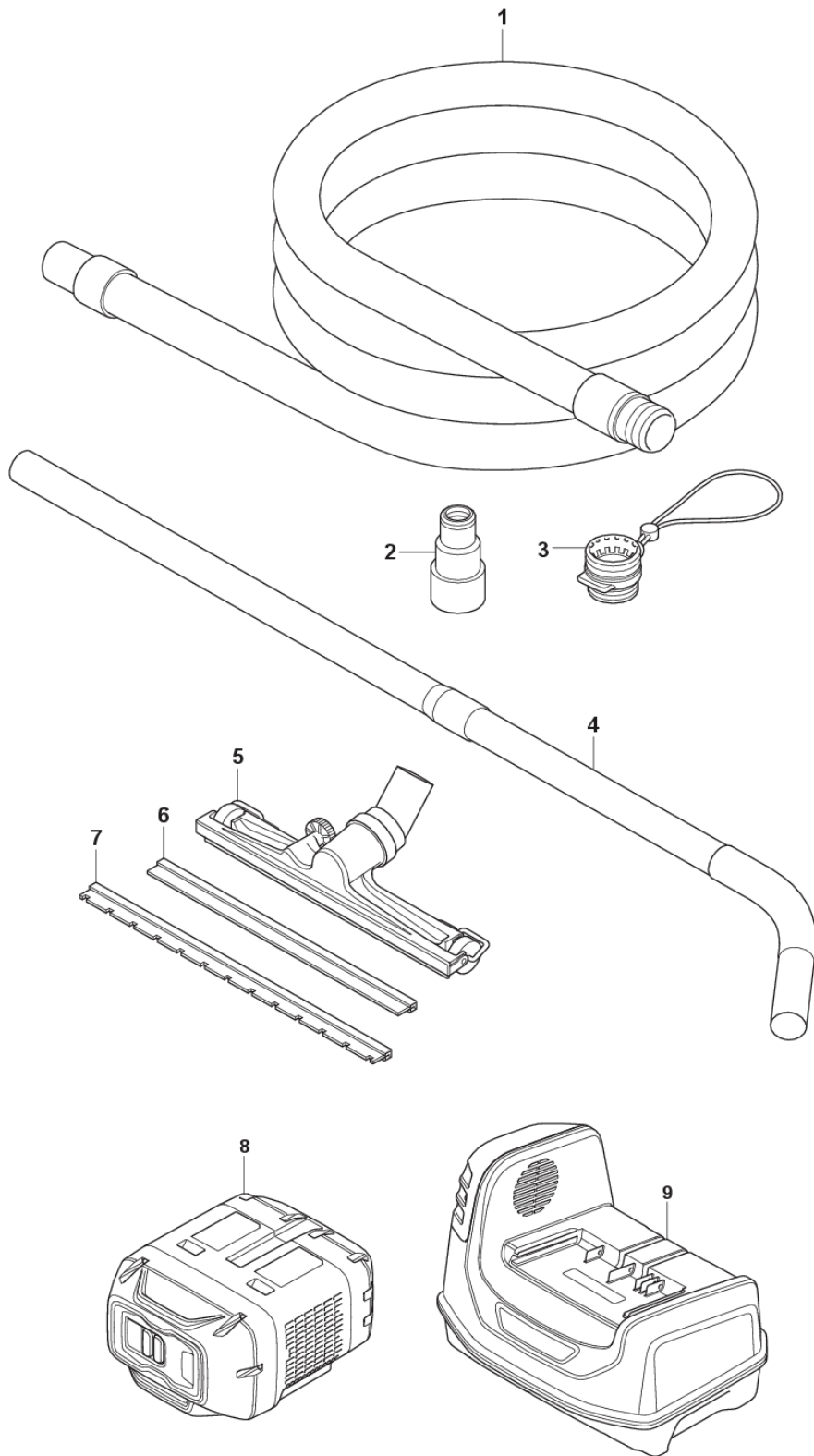
REF.	PART NO.	DESCRIPTION	REMARK	QTY.	KIT
1	529883104	DECAL KIT	NA	1	
1	529883103	DECAL KIT	RoW	1	

DE 120 H PACE
MOTOR AND ELECTRICAL



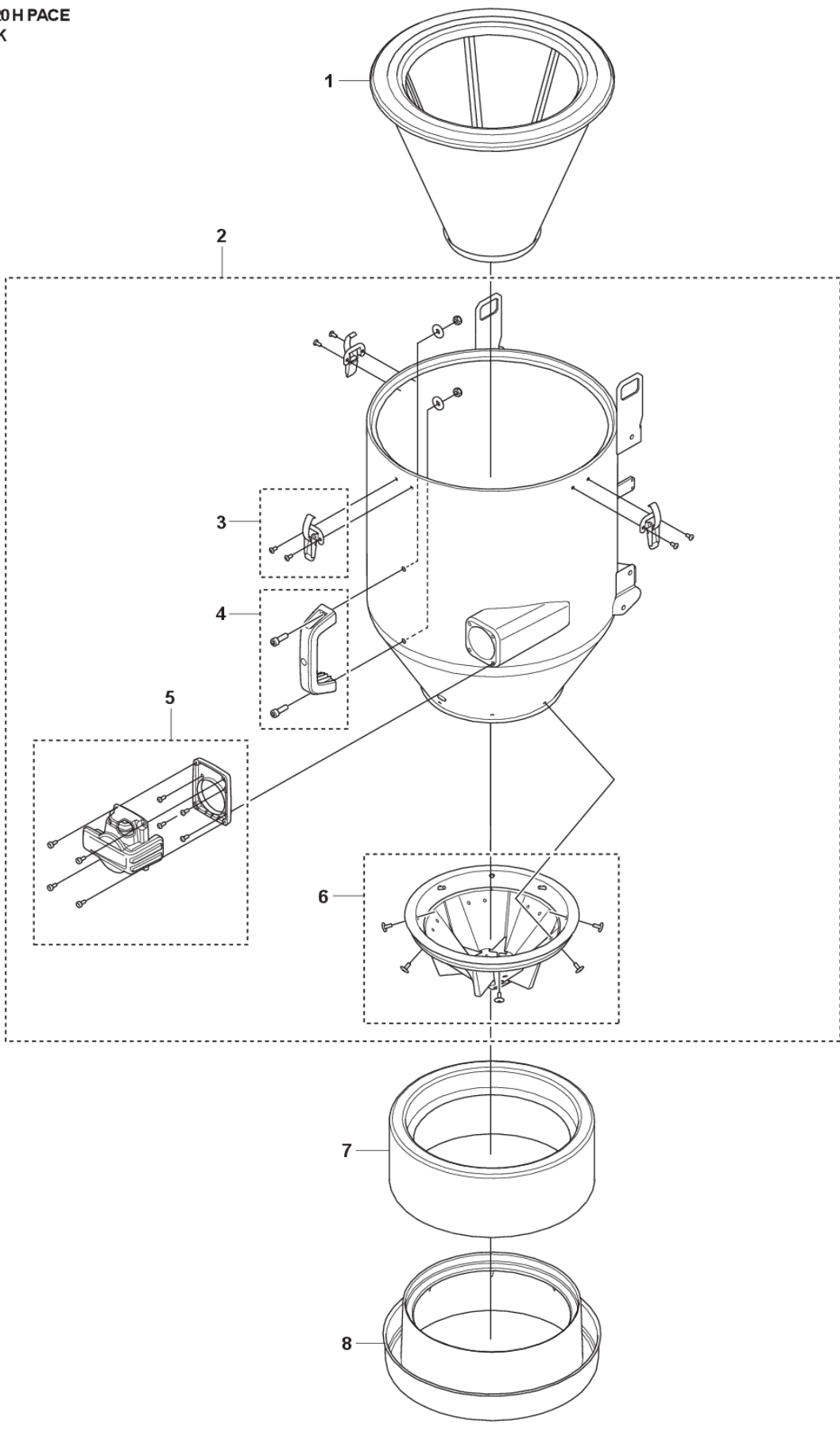
REF.	PART NO.	DESCRIPTION	REMARK	QTY.	KIT
1	536478001	HOSE KIT		1	
2	599819903	PRINTED CIRCUIT ASSY		1	
3	599839501	BUZZER		1	
4	531286801	WIRE		1	
5	546126701	FERRITE CORE		1	
6	546126701	FERRITE CORE		1	
7	531074701	WIRING ASSY		1	
8	599589201	HOUR METER		1	
9	599298801	SEALING RING		1	
10	599806702	MOTOR		1	
11	546410701	BRUSH KIT		1	
12	599510301	SEALING RING		1	
14	531070001	FAN		1	
15	531113501	BRACKET		1	
16	900000002	DUMMY PART	CR2450X / 3V 600mAh	1	

DE 120 H PACE
ACCESSORIES



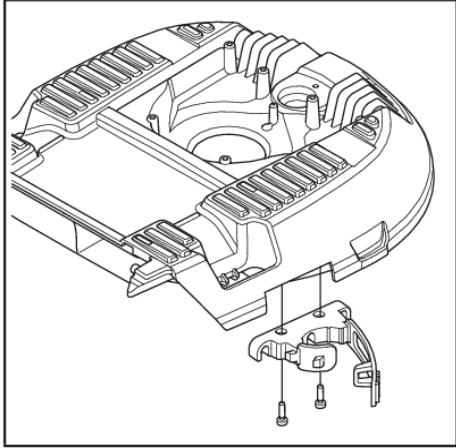
REF.	PART NO.	DESCRIPTION	REMARK	QTY.	KIT
0	538716001	WHEEL KIT		1	
0	536986401	ADJUSTMENT SCREW		1	
1	590437401	HOSE	Standard hose 10 m 63 mm/2.5" (incl. adapters)	1	
1	594005311	SUCTION HOSE	Anti-static hose 7.5 m 51 mm/2" (incl. Adapters)	1	
1	529459001	HOSE	Hose roll 30 meter 38 mm/1.5" anti-static (excl. adapters)	1	
1	529569301	HOSE	Anti-static hose roll 30 meter 51 mm/2" (excl. adapters)	1	
1	529569401	HOSE	Roll 30 meter 38 mm/1.5" (excl. adapters)	1	
1	529569501	HOSE	Roll 30 meter 51 mm/2" (excl. adapters)	1	
1	536575701	HOSE KIT	Shotblast hose kit 76 mm/3" (10 meter incl. adapters)	1	
1	591970901	HOSE	Standard hose 2.5 m 63 mm/2.5"	1	
1	536355301	SUCTION HOSE ASSY	Hose 5 meter 38 mm/1.5" (incl. adapters)	1	
1	536355401	SUCTION HOSE ASSY	Hose 5 meter 38 mm/1.5" anti-static (incl. adapters)	1	
1	536355501	SUCTION HOSE ASSY	Standard hose 7.5 m 51 mm/2" (incl. adapters)	1	
1	536355601	SUCTION HOSE ASSY	51mm/7.5m w adapters, antistatic	1	
2	593459701	HOSE COUPLING	Camlock female 2" to smooth 2" To connect straight on a 50 mm sleeve connection.	1	
2	533372201	HOSE CONNECTOR	76mm hose/equipment	1	
2	535700201	HOSE CONNECTOR	Adapter 63 mm/2.5" machine to 38 mm/1.5" hose	1	
2	536068401	HOSE CONNECTOR	76mm hose/machine	1	
2	536344301	ADAPTER	Adapter hose/wand 38 mm/1.5"	1	
2	536349501	ADAPTER	Swivel adapter	1	
2	536349601	ADAPTER	51mm hose/wand	1	
2	536349401	HOSE CONNECTOR	51mm hose-machine	1	
2	590429001	ADAPTER	Adapter 63 mm machine to 63 mm/2.5" hose	1	
2	594956801	ADAPTER	Multi-adapter 51mm	1	
2	594956901	ADAPTER	Multi-adapter 38 mm/1.5"	1	
2	536134401	ADAPTER	hose/hose connector 76-63-51-38	1	
3	531363501	CAP ASSY	38-51mm	1	
4	536344201	WAND	51mm	1	
5	536343901	NOZZLE	450mm	1	
6	529804202	TOOL	450mm	2	
7	599594201	BRUSH KIT	450mm	2	
8	970494102	BATTERY	With Bluetooth - US	1	
8	970494001	BATTERY	Without Bluetooth - RoW	1	
8	970494202	BATTERY	With Bluetooth - US	1	
8	970494301	BATTERY	Without Bluetooth - RoW	1	
8	970494101	BATTERY	With Bluetooth - EU, AU, NZ, JP	1	
8	970494201	BATTERY	With Bluetooth EU, AU, NZ, JP	1	
9	970495001	BATTERY CHARGER	EU	1	
9	970495003	BATTERY CHARGER	US	1	
9	970495004	BATTERY CHARGER	JP	1	
9	970495005	BATTERY CHARGER	AY/NZ/AR	1	
9	970495006	BATTERY CHARGER	SZ	1	
9	970495002	BATTERY CHARGER	UK	1	
9	970495101	BATTERY CHARGER	EU	1	
9	970495103	BATTERY CHARGER	US	1	
9	970495104	BATTERY CHARGER	JP	1	
9	970495105	BATTERY CHARGER	AU/NZ/AR	1	
9	970495106	BATTERY CHARGER	SZ	1	
9	970495102	BATTERY CHARGER	UK	1	

DE 120H PACE
TANK



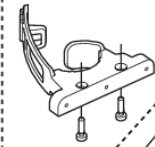
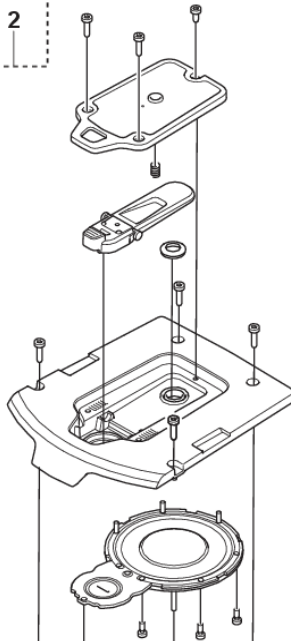
REF.	PART NO.	DESCRIPTION	REMARK	QTY.	KIT
1	536372701	AIR FILTER		1	
2	535276401	TANK ASSY		1	
3	534119301	BUCKLE		3	
4	534119601	HANDLE		1	
5	531164501	INLET		1	
6	531384901	SUPPORT RING		1	
7	534127401	CONE		1	
8	590429201	DUST BAG		1	
9	599158501	HOLDER		1	

DE 120 H PACE
LID

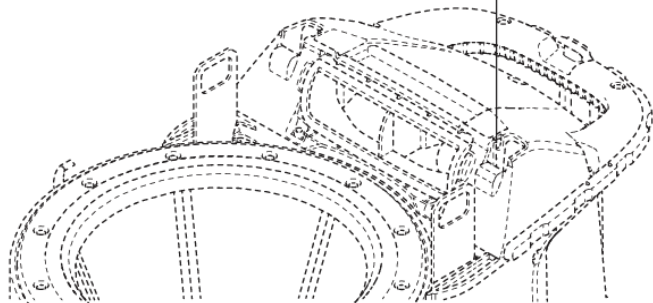
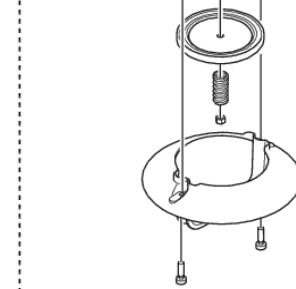
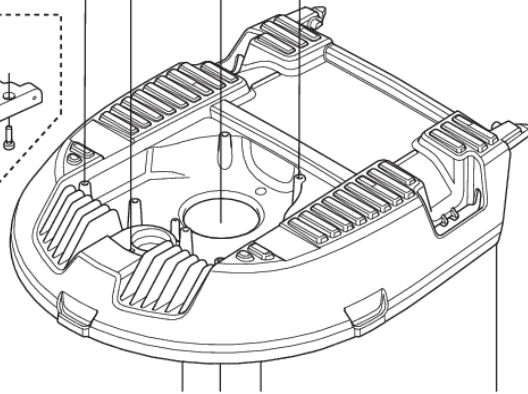


1

2



3



REF.	PART NO.	DESCRIPTION	REMARK	QTY.	KIT
1	599811801	LID ASSY		1	
2	535276501	LEVER ASSY		1	
3	535276601	STRAP		1	