

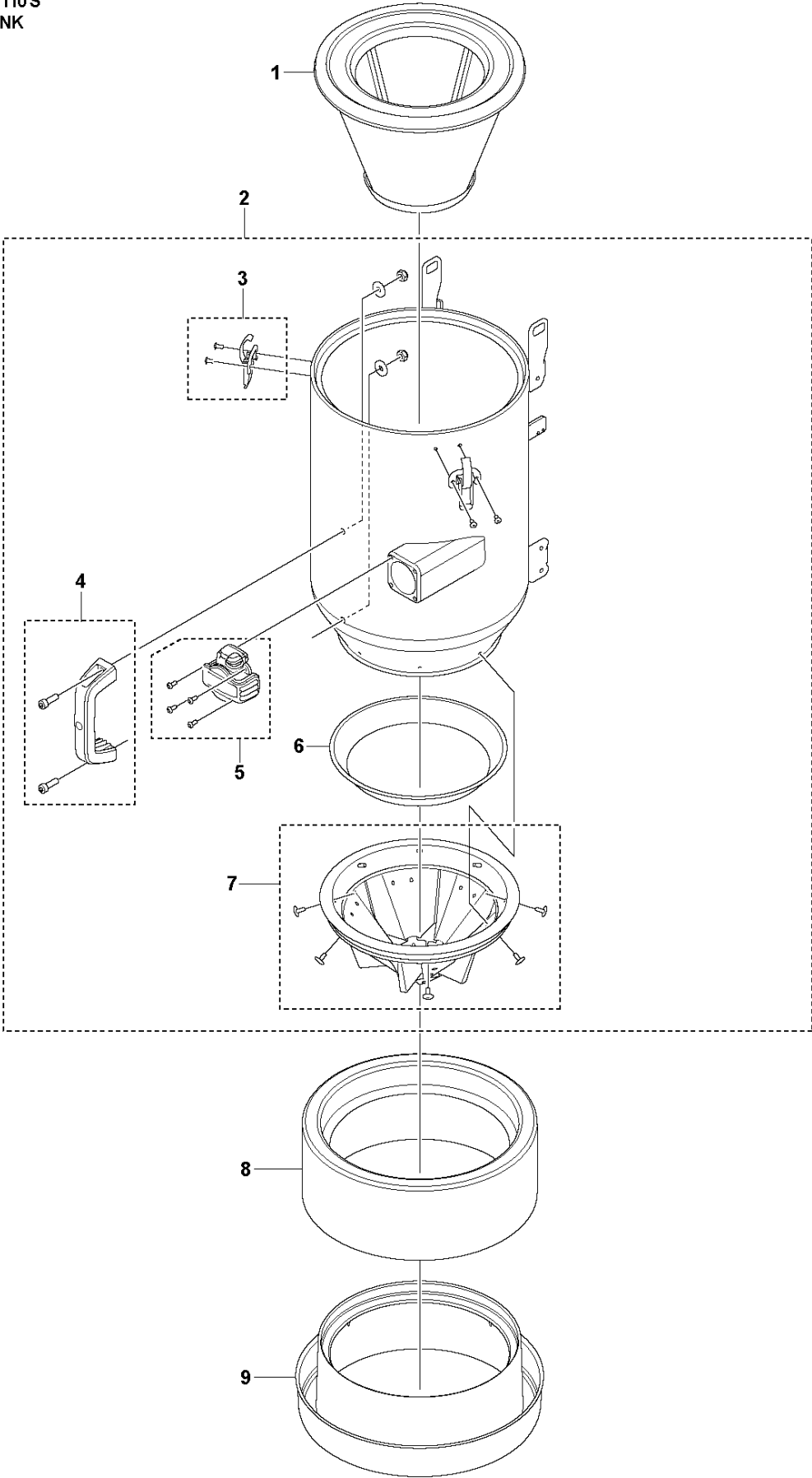


SPARE PARTS LIST

DUST AND SLURRY MANAGEMENT

DE 110 S, 2022-01

A DE 110 S
TANK

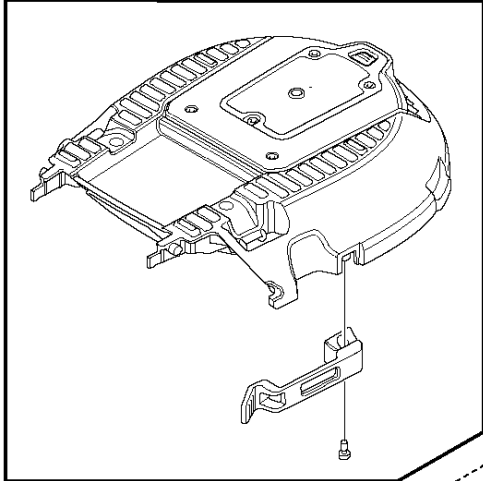


TANK

DE 110 S, 2022-01

Ref	Part No	Description	Remark	QTY	KIT
1	536 37 26-01	AIR FILTER		1	
2	534 11 91-01	TANK ASSY		1	1
3	534 11 93-01	BUCKLE		1	1
4	534 11 96-01	HANDLE		1	1
5	534 12 71-01	INLET		1	1
6	531 38 49-01	SUPPORT RING		1	1
7	534 12 74-01	CONE		1	1
8	590 42 92-01	DUST BAG		1	
9	599 15 85-01	HOLDER		1	

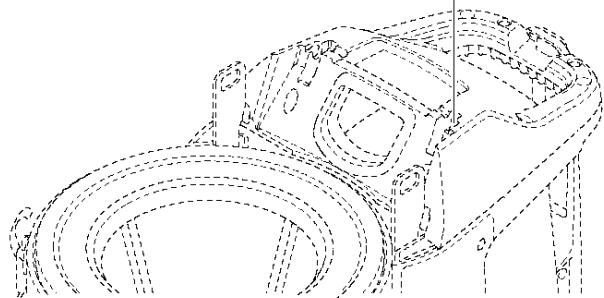
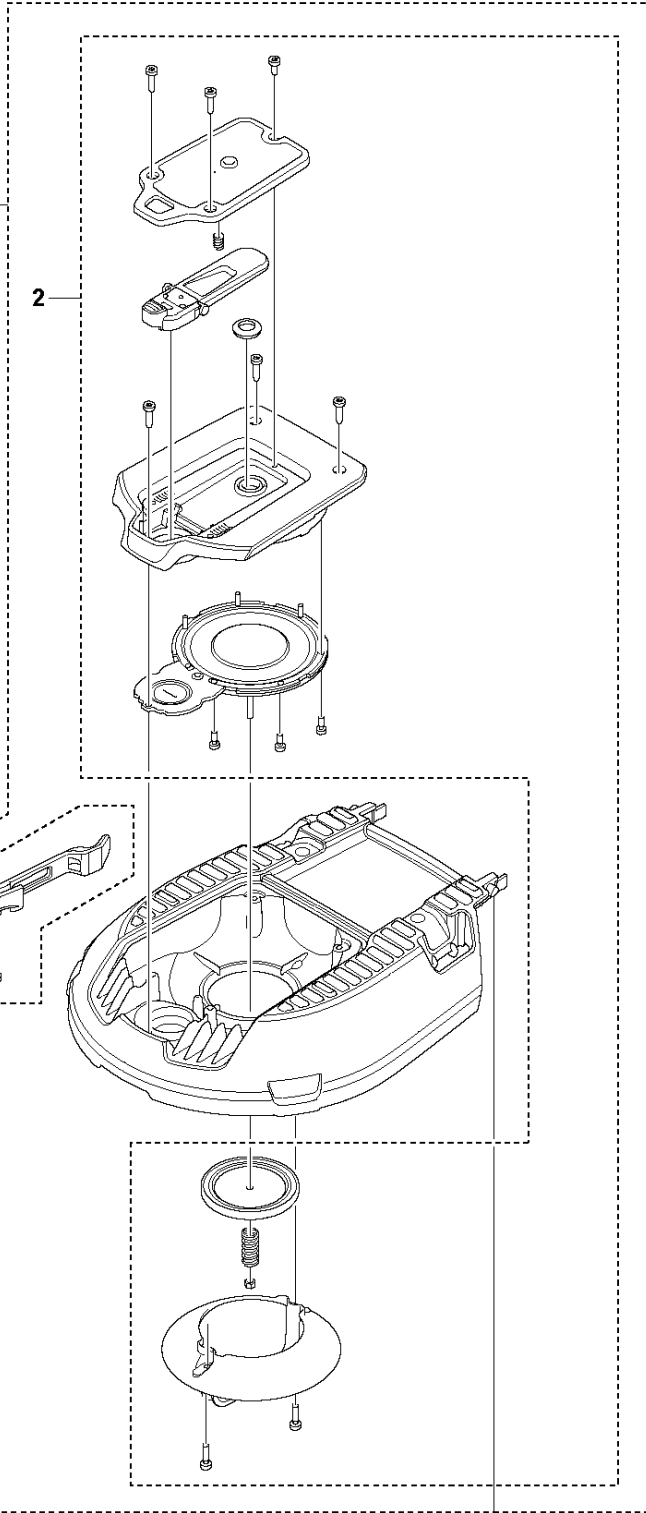
B DE110S
LID



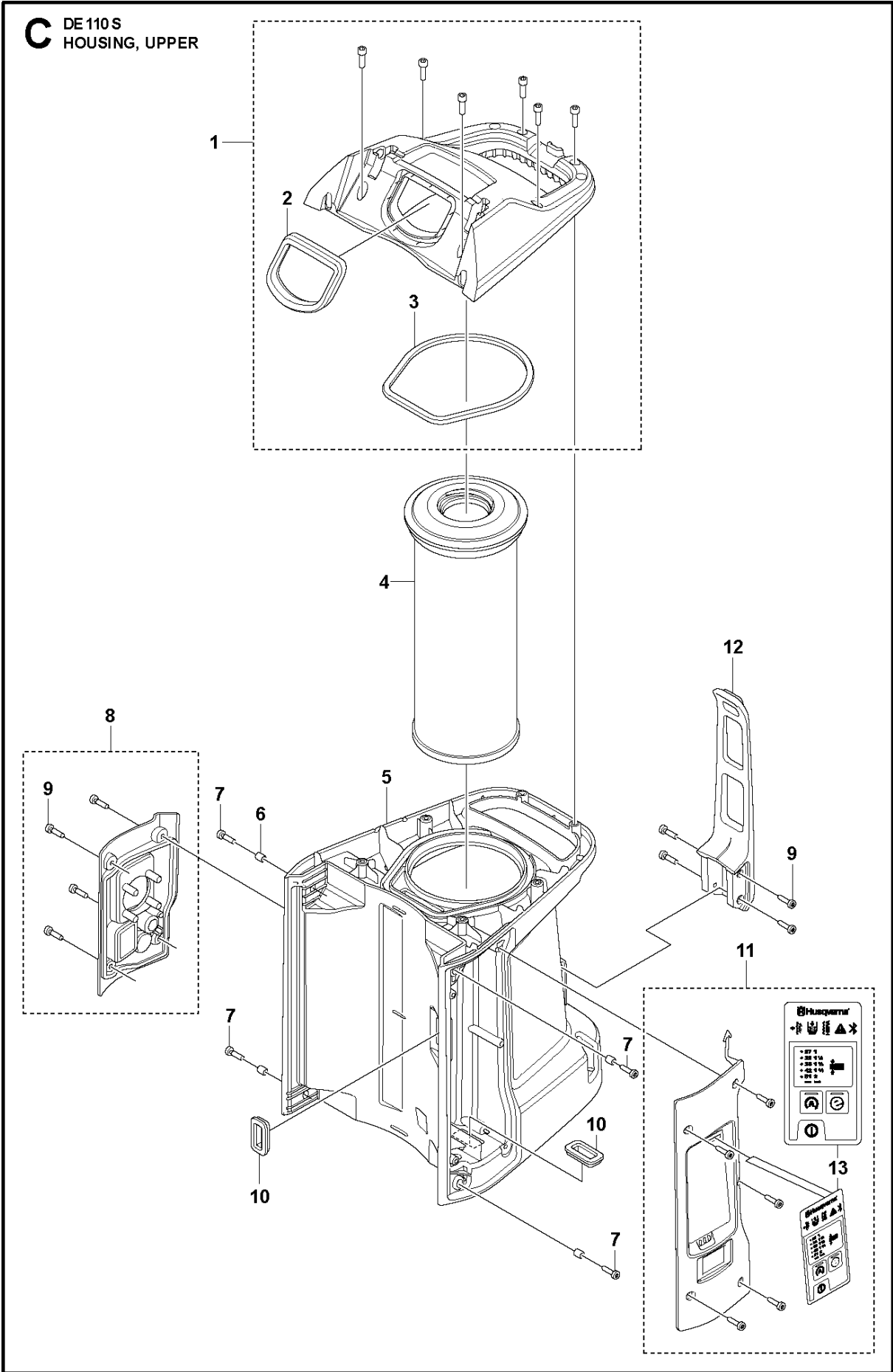
1

2

3

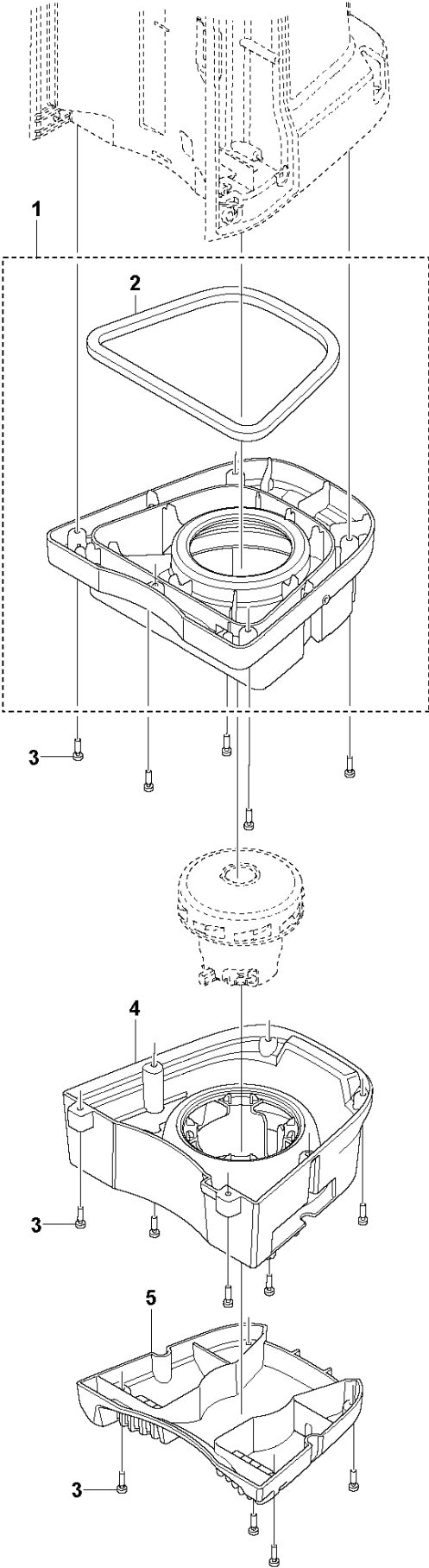


Ref	Part No	Description	Remark	QTY KIT	
1	598 92 87-01	LID ASSY		1	
2	534 12 69-01	LEVER ASSY		1	1
3	534 12 02-01	STRAP		1	1



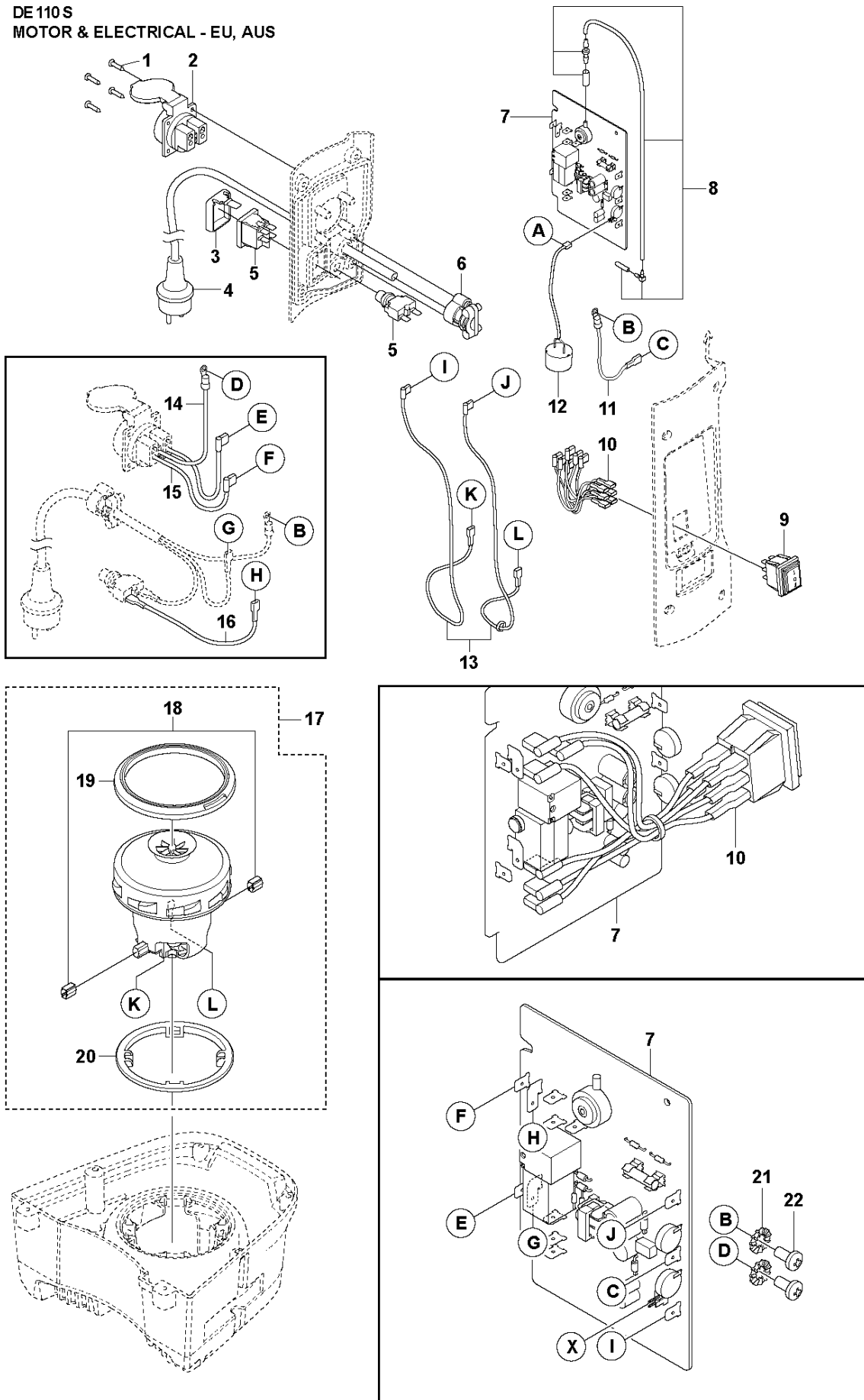
Ref	Part No	Description	Remark	QTY KIT	
1	534 13 60-01	COVER		1	
2	598 83 63-01	SEALING		1	1
3	598 83 64-01	SEALING		1	1
4	534 12 36-01	FILTER		1	
5	598 92 93-01	HOUSING		1	
6	599 83 84-01	BUSHING		1	
7	544 21 84-20	SCREW ITXSCM	M6x20	1	
8	529 97 47-01	LID	EU/AU	1	
8	529 97 47-02	LID	UK	1	
8	529 97 47-03	LID	US	1	
9	599 60 83-01	SCREW ITXSCT	T27 PT5x20	19	8
10	599 62 41-01	SEALING		2	
11	534 12 72-01	LID		1	
12	599 37 96-01	STRAP		1	
13	599 44 50-01	KEYPAD		1	11

D DE 110 S
HOUSING, LOWER



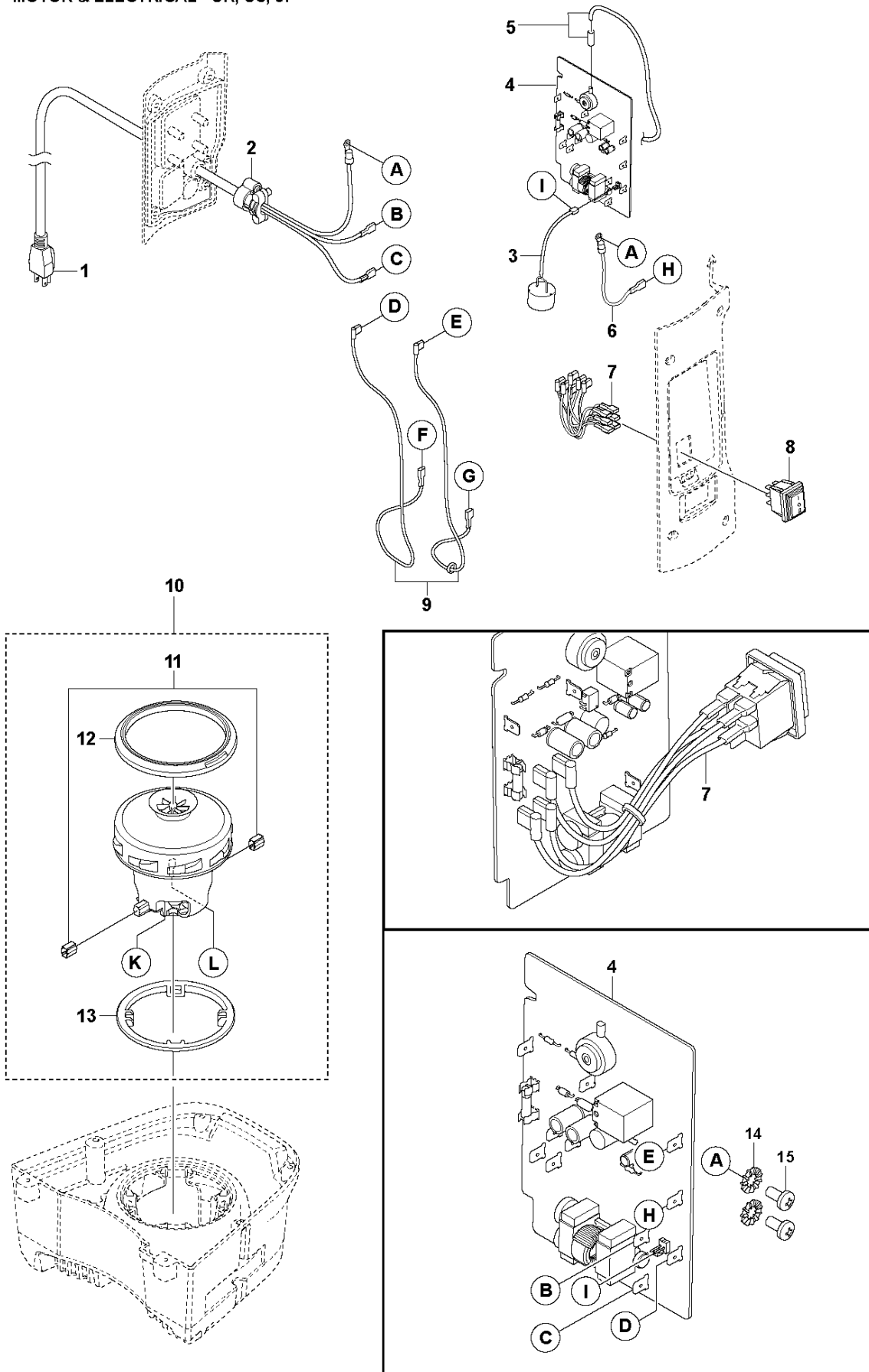
Ref	Part No	Description	Remark	QTY	KIT
1	534 13 67-01	COVER		1	
2	599 29 89-01	SEALING		1	1
3	599 60 83-01	SCREW ITXSCT	T27 PT5x20	13	
4	598 88 99-01	MOTOR HOUSING		1	
5	598 89 00-01	COVER		1	

E DE 110 S
MOTOR & ELECTRICAL - EU, AUS

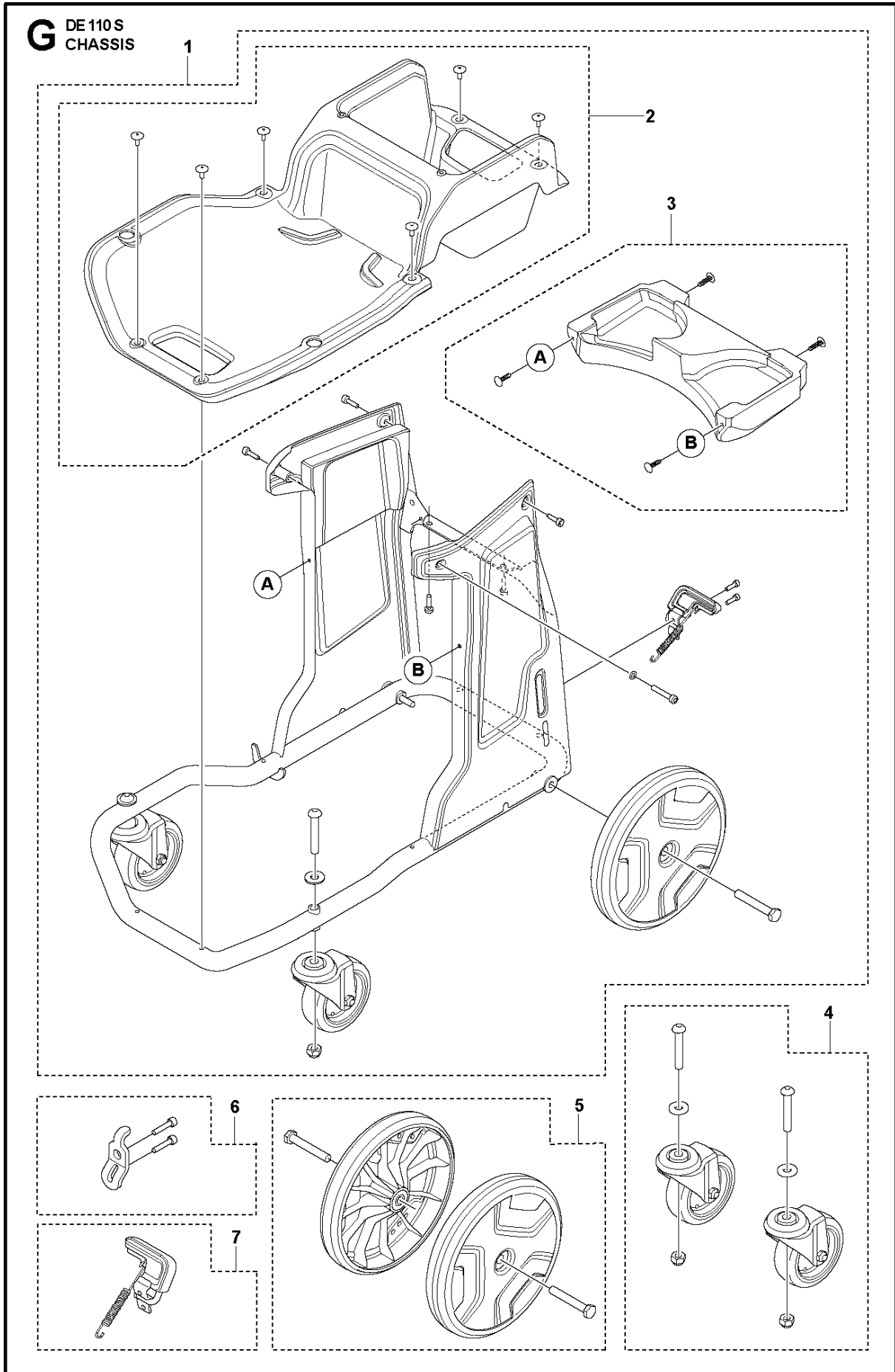


Ref	Part No	Description	Remark	QTY KIT	
1	729 53 46-01	SCREW	M5x10	4	
2	599 97 65-01	SOCKET	EU	1	
2	599 97 65-02	SOCKET	AUS	1	
4	599 24 93-01	POWER CORD	EU 16A	1	
4	599 24 93-02	POWER CORD	AU 10A	1	
5	534 20 66-02	CIRCUIT BREAKER	EU 16A	1	
5	534 20 66-03	CIRCUIT BREAKER	AUS 10A	1	
6	531 39 17-01	CABLE GROMMET		1	
7	529 68 66-01	PRINTED CIRCUIT ASSY		1	
9	529 68 00-01	SWITCH		1	
10	529 58 26-01	WIRE		1	
11	529 62 08-01	WIRE		1	
12	599 83 95-01	BUZZER		1	
13	529 58 28-01	WIRE	EU	2	
13	529 58 28-01	WIRE	AUS	2	
14	529 58 29-01	WIRE		1	
15	529 58 27-01	WIRE		2	
16	534 98 47-02	WIRE		1	
17	535 28 73-01	MOTOR KIT	Complete motor incl sealings EU/AUS/BR/RoW	1	
18	536 50 75-01	BRUSH KIT	230V	2	17
19	599 29 88-01	SEALING RING		1	17
20	599 51 03-01	SEALING RING		1	17
21	735 21 46-01	LOCKWASHER		2	
22	724 13 25-51	SCREW CRPANM	M5x10	2	

F DE 110 S
MOTOR & ELECTRICAL - UK, US, JP



Ref	Part No	Description	Remark	QTY KIT	
1	599 24 93-03	POWER CORD	BR	1	
1	599 24 93-08	POWER CORD	US	1	
1	599 24 93-04	POWER CORD	UK	1	
1	599 24 93-09	POWER CORD	JP	1	
2	531 39 17-01	CABLE GROMMET		1	
3	599 83 95-01	BUZZER		1	
4	529 68 66-02	PRINTED CIRCUIT ASSY	120V	1	
5	000 00 00-00	W/O DESCRIPTION		1	
6	529 62 08-01	WIRE	UK/BR/LA	1	
6	529 62 08-02	WIRE	NA/JP	1	
7	529 58 26-02	WIRE		1	
8	529 68 00-01	SWITCH		1	
9	529 58 28-01	WIRE		2	
10	535 28 73-06	MOTOR KIT	UK/NA 120V	1	
10	535 28 73-04	MOTOR KIT	JP 120V	1	
11	536 50 75-02	BRUSH KIT	120V	2	10
12	599 29 88-01	SEALING RING		1	10
13	599 51 03-01	SEALING RING		1	10
14	735 21 46-01	LOCKWASHER		2	
15	724 13 25-51	SCREW CRPANM	M5x10	2	

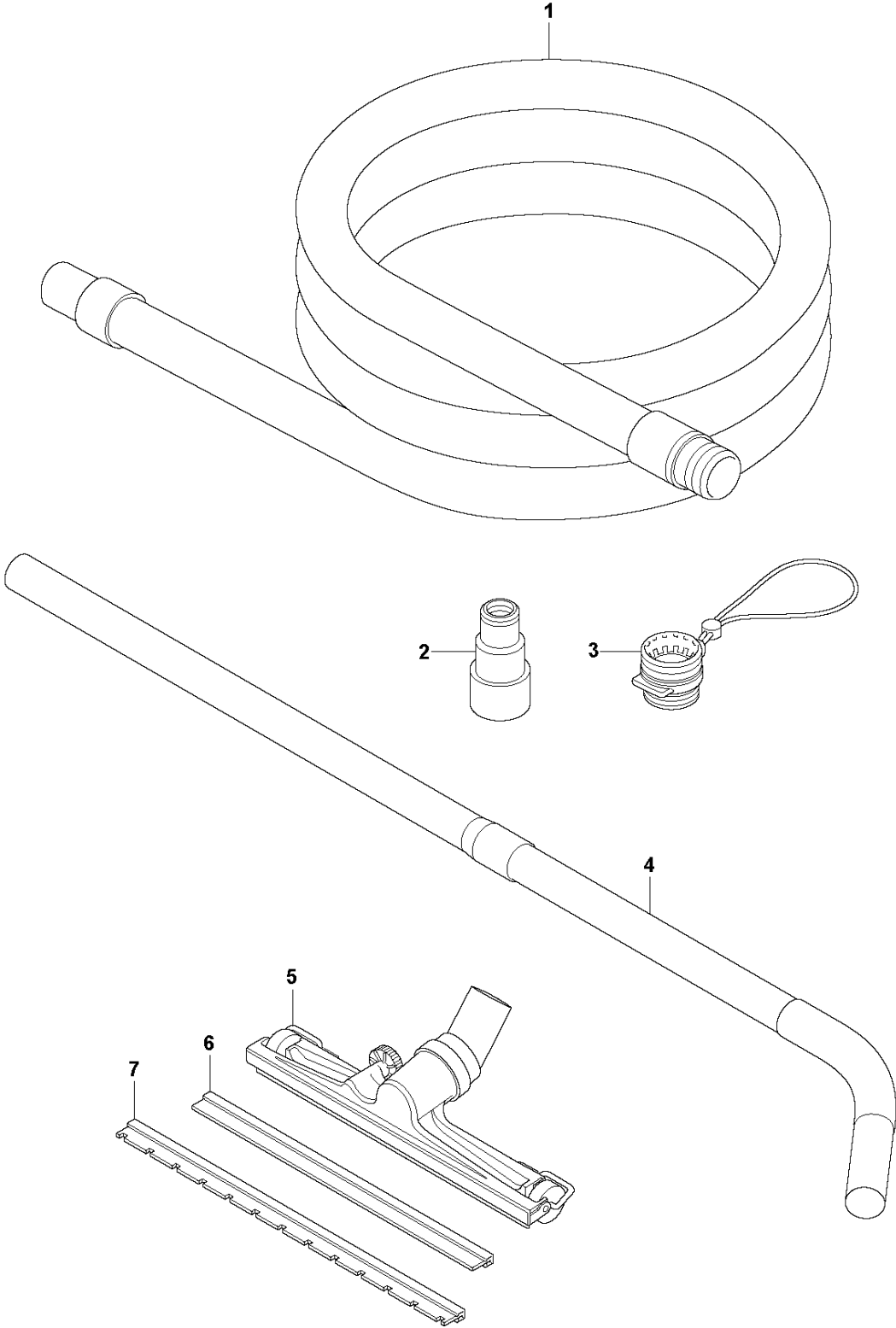


CHASSIS

DE 110 S, 2022-01

Ref	Part No	Description	Remark	QTY	KIT
1	599 56 25-01	FRAME ASSY		1	
2	534 12 76-01	TRAY		1	1
3	534 13 49-01	DUCT		1	1
4	534 12 51-01	WHEEL KIT		1	
5	534 12 52-01	REAR WHEEL	ø220	1	
6	529 74 66-01	BRAKE ASSY		1	
7	535 28 28-01	BRACKET		1	

H DE 110
ACCESSORIES



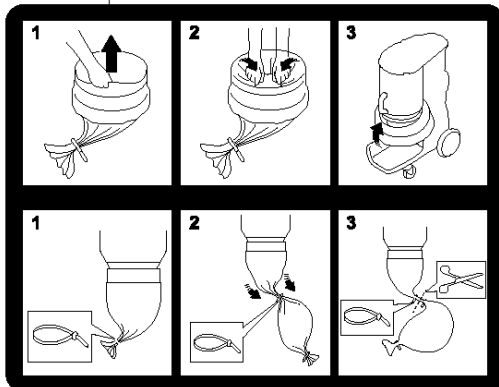
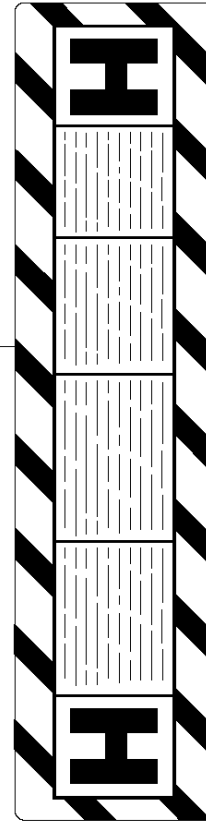
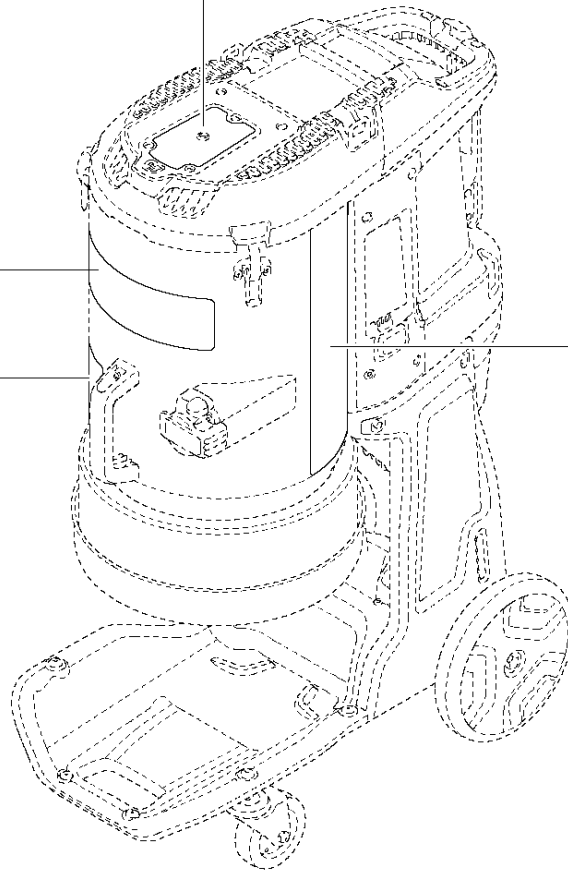
ACCESSORIES

DE 110 S, 2022-01

Ref	Part No	Description	Remark	QTY KIT
1	536 35 53-01	SUCTION HOSE ASSY	38mm/5m w adapters	1
1	536 35 54-01	SUCTION HOSE ASSY	38mm/5m w adapters	1
1	529 56 94-01	HOSE	38mm/30m w/o adapters	1
1	529 45 90-01	HOSE	38mm/30m w/o adapters	1
2	536 34 95-01	ADAPTER	38mm Swiveling	1
2	536 34 43-01	ADAPTER	38mm Swiveling hose-wand	1
2	536 34 45-01	HOSE CONNECTOR	38mm hose-machine	1
2	594 95 69-01	ADAPTER	38mm	1
2	536 13 44-01	ADAPTER	hose/hose connector	1
3	531 36 35-01	CAP ASSY	38mm	1
4	536 34 41-01	WAND	38mm	1
5	529 80 50-01	NOZZLE	370mm	1
6	529 80 42-01	TOOL	370mm	2
7	599 59 41-01	BRUSH KIT	370mm	2

J DE110S
DECALS - EU, AUS, RoW

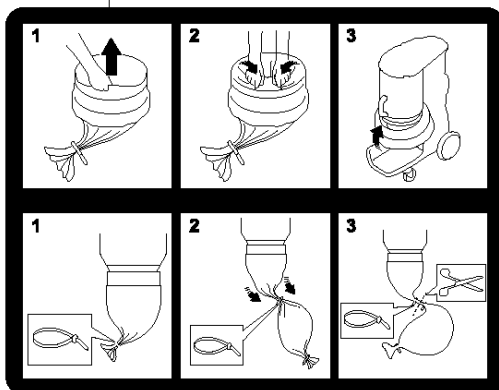
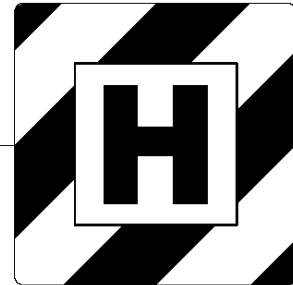
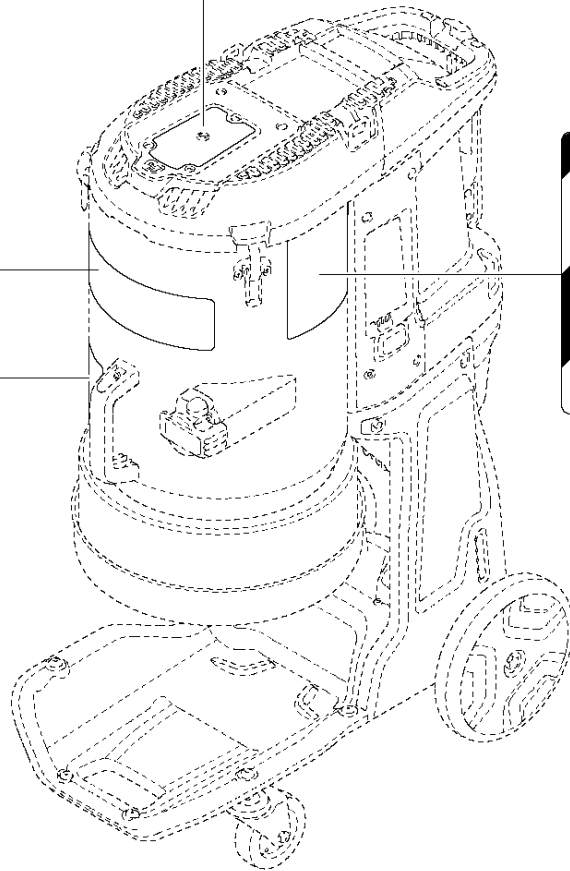
 **Husqvarna**
DE 110S



Ref	Part No	Description	Remark	QTY KIT
1	529 82 56-03	DECAL KIT	DE110S RoW	1

K DE110S
DECALS - NA

 **Husqvarna**
DE 110S



Ref	Part No	Description	Remark	QTY KIT
1	529 82 56-04	DECAL KIT	DE110S NA	1