

POWERMATIC[®]

Operating Instructions and Parts Manual Dual Drum Sander Models DDS-225 and DDS-237



(model DDS-225)

WALTER MEIER (Manufacturing) Inc.
427 New Sanford Road
LaVergne, Tennessee 37086
Ph.: 800-274-6848
www.powermatic.com

Part No. M-0460278
Revision H 05/2012
Copyright © 2012 Walter Meier (Manufacturing) Inc.

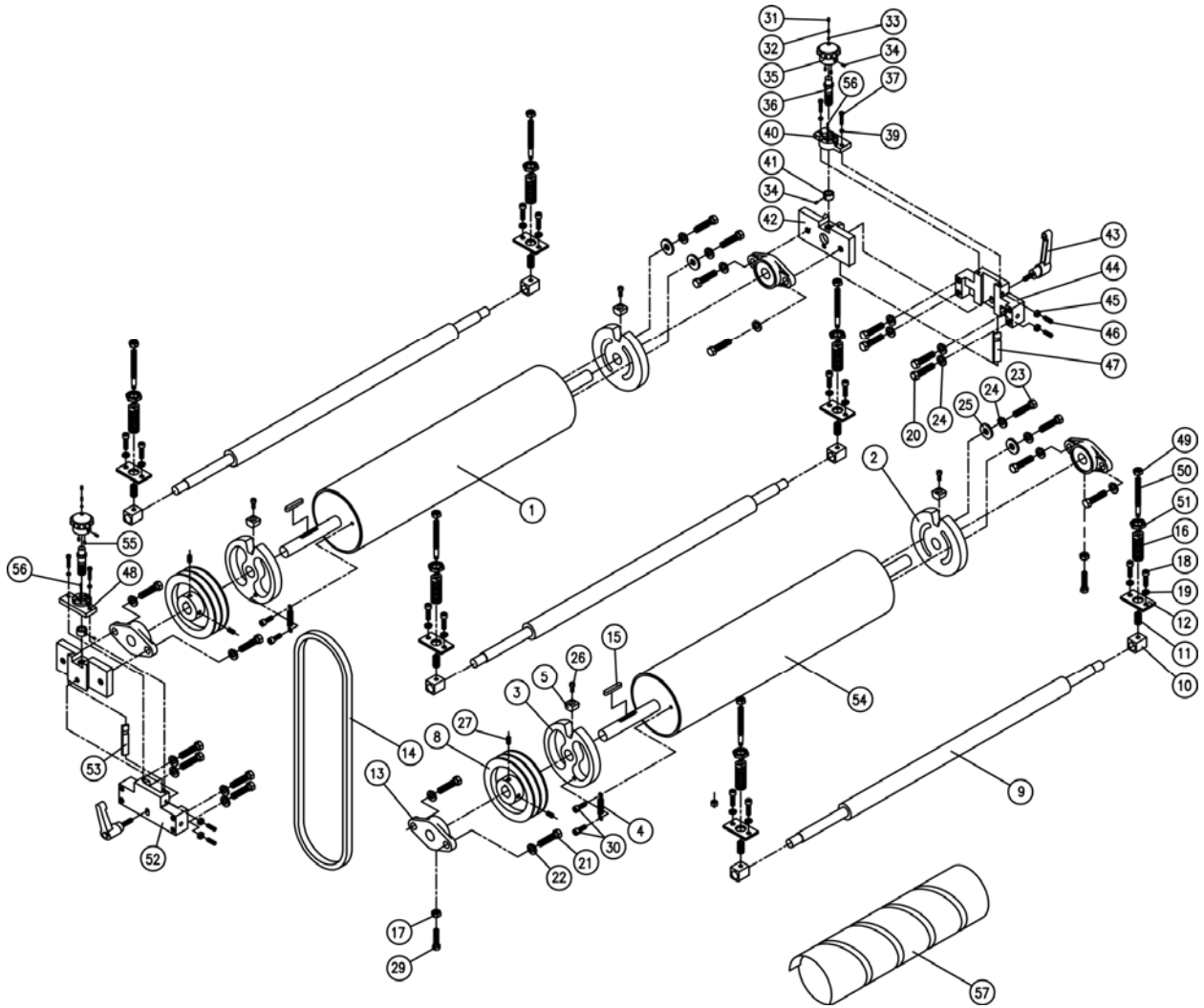
Parts – DDS-225 Sander

Drum Assembly – DDS-225

Index No.	Part No.	Description	Size	Qty
1	DDS225-101A	Rear Drum (<i>serial no. 1009DDS2252795 and higher</i>)		1
2	DDS225-102A	Abrasive Fastener-Right (<i>serial no. 1009DDS2252795 and higher</i>)		2
3	DDS225-103A	Abrasive Fastener-Left (<i>serial no. 1009DDS2252795 and higher</i>)		2
4	DDS225-104	Spring		2
5	DDS225-105	Locking Wedge		4
8	DDS225-108	Pulley		2
9	DDS225-109	Tension Roller		3
10	DDS225-110	Bushing		6
11	DDS225-111	Spring		6
12	DDS225-112	Bracket		6
13	DDS225-113	Bearing Assembly	UCFL205	4
14	VB-B68	Belt		2
15	DDS225-115	Key	8 x 7 x 50	2
16	DDS225-116	Adjusting Bushing		6
17	TS-0561031	Hex Nut	3/8-16NC	20
18	TS-0051011	Hex Cap Screw	5/16-18 x 1/2	12
19	TS-0720081	Lock Washer	5/16	12
20	TS-0060071	Hex Cap Screw	3/8-16 x 1-1/2	8
21	TS-0100041	Hex Cap Screw	1/2-12 x 1-1/4	8
22	TS-0720111	Lock Washer	1/2	8
23	TS-0060011	Hex Cap Screw	3/8-16 x 1/2	4
24	TS-0720091	Lock Washer	3/8	12
25	TS-1550071	Flat Washer	M10	4
26	TS-0207061	Socket Head Cap Screw	1/4-20 x 1	4
27	TS-0270091	Socket Set Screw	5/16-18 x 1	4
29	TS-0060051	Hex Cap Screw	3/8-16 x 1	2
30	TS-0208021	Socket Head Cap Screw	5/16-18 x 1/2	4
31	TS-0270051	Socket Set Screw	5/16-18 x 1/2	2
32	DDS225-132	Spring		2
33	DDS225-133	Steel Ball	Ø5mm	2
34	TS-0267021	Socket Set Screw	1/4-20 x 1/4	4
35	DDS225-135	Adjusting Knob		2
36	DDS225-136	Lead Screw		2
37	TS-0207041	Socket Head Cap Screw	1/4-20 x 3/4	4
39	TS-0720071	Lock Washer	1/4	4
40	DDS225-140	Top Cover-Right		1
41	DDS225-141	Collar		2
42	DDS225-142	Slide		2
43	DDS225-143	Locking Lever		2
44	DDS225-144	Slide Bracket-Right		1
45	TS-0561011	Hex Nut	1/4-20NC	4
46	TS-0267091	Socket Set Screw	1/4-20 x 1	4
47	DDS225-147	Gib-Right		1
48	DDS225-148	Top Cover-Left		1
49	TS-1541041	Hex Nylon Lock Nut	M10	6
50	DDS225-150	Adjusting Screw		6
51	DDS225-151	Hex Nut	M22 x 1.5P x 5T	6
52	DDS225-152	Slide Bracket-Left		1
53	DDS225-153	Gib-Left		1
54	DDS225-154A	Front Drum (<i>serial no. 1009DDS2252795 and higher</i>)		1

Drum Assembly – DDS-225

Index No.	Part No.	Description	Size	Qty
55	TS-1521021	Socket Set Screw	M4 x 6	4
56	DDS225-156	Roll Pin	∅2 x 8mm	2
57		Abrasive (see <i>Optional Accessories</i> on page 39)		



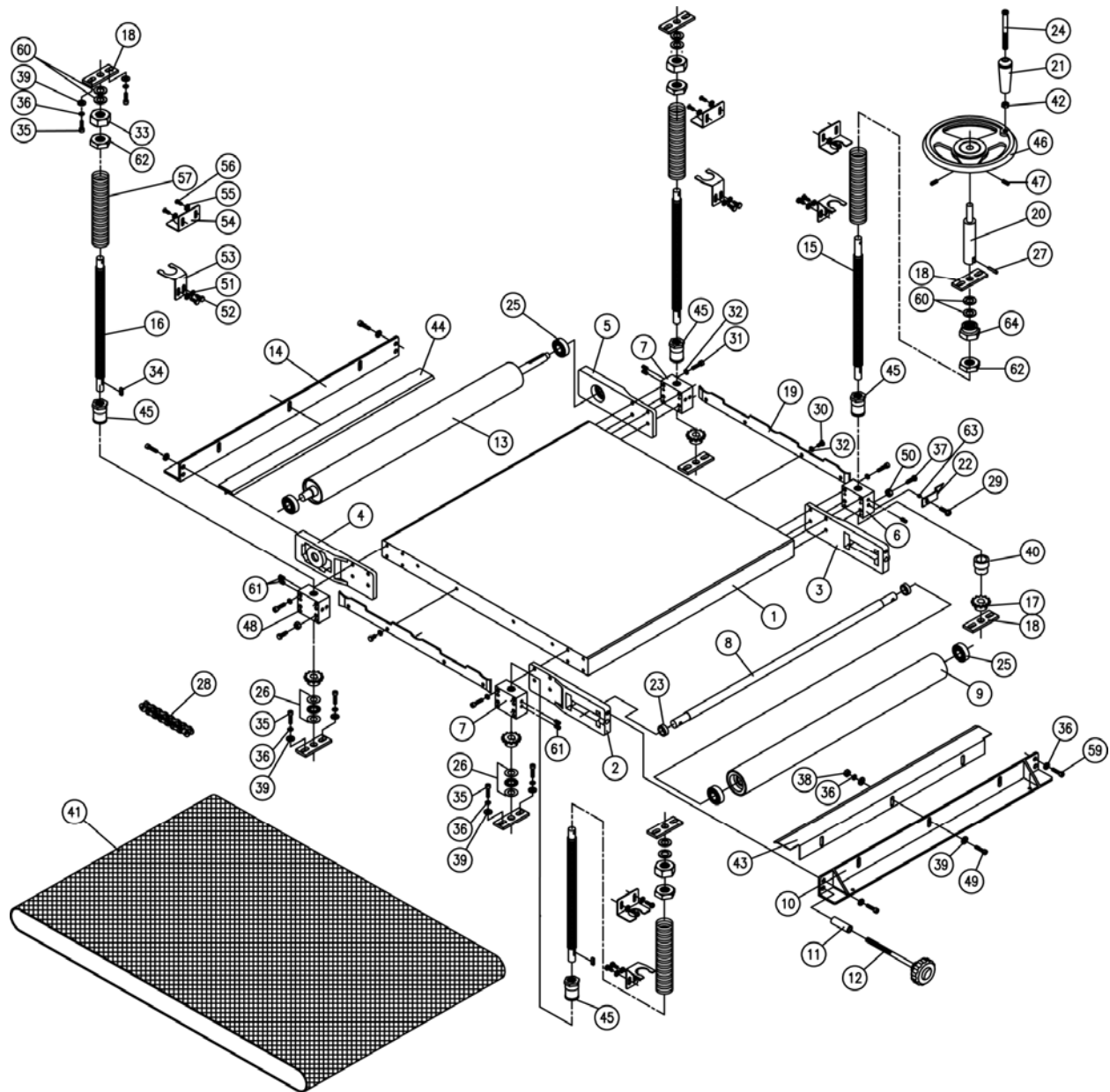
Conveyor Assembly – DDS-225

Index No.	Part No.	Description	Size	Qty
1	DDS225-201	Table		1
2	DDS225-202	Support Bracket, Left-Front		1
3	DDS225-203	Support Bracket, Right-Front		1
4	DDS225-204	Support Bracket, Left-Rear		1
5	DDS225-205	Support Bracket, Right-Rear		1
6	DDS225-206B	Leadscrew Holder, Right-Front		1
7	DDS225-207B	Leadscrew Holder, Left-Front and Right-Rear		2
8	DDS225-208	Rod		1
9	DDS225-209	Front Roller		1
10	DDS225-210	Front Support Plate		1
11	DDS225-211	Collar		2
12	DDS225-212	Adjusting Knob		2
13	DDS225-213	Rear Roller		1
14	DDS225-214	Rear Support Plate		1
15	DDS225-215A	Drive Leadscrew		1
16	DDS225-216A	Driven Leadscrew		3
17	DDS225-217	Sprocket		4
18	DDS225-218	Support Bracket		8
19	DDS225-219	Guide Plate		2
20	DDS225-220	Post		1
21	DDS225-221	Handle		1
22	DDS225-222	Pointer		1
23	DDS225-223	Collar		2
24	DDS225-224	Bolt		1
25	BB-6203ZZ	Ball Bearing	6203ZZ	4
26	DDS225-226	Thrust Bearing		4
27	DDS225-227	Roll Pin	Ø6 x 25mm	1
28	DDS225-228	Chain		1
29	TS-081F022	Phillips Pan Head Machine Screw	1/4-20 x 3/8	1
30	TS-0050011	Hex Cap Screw	1/4-20 x 1/2	8
31	TS-0207111	Socket Head Cap Screw	1/4-20 x 2-1/4	16
32	TS-0720071	Lock Washer	1/4	24
33	DDS225-233A	Special Nut	7/8-9	3
34	DDS225-234	Key	5 x 5 x 18mm	4
35	TS-0208041	Socket Head Cap Screw	5/16-18 x 3/4	16
36	TS-0720081	Lock Washer	5/16	26
37	TS-0050081	Hex Cap Screw	1/4-20 x 1-3/4	8
38	TS-0561021	Hex Nut	5/16-18NC	10
39	TS-1550061	Flat Washer	M8	28
40	DDS225-240	Bushing		1
41	DDS225-241	Conveyor		1
42	TS-0561031	Hex Nut	3/8-16NC	1
43	DDS225-243	Front Cover		1
44	DDS225-244	Rear Cover		1
45	DDS225-245B	Threaded Bushing		4
46	DDS225-246	Handwheel		1
47	TS-0270071	Socket Set Screw	5/16-18 x 3/4	2
48	DDS225-248B	Leadscrew Holder, Left-Rear		1
49	TS-0208041	Socket Head Cap Screw	5/16-18 x 3/4	6
50	TS-0561011	Hex Nut	1/4-20	8
51	TS-0680021	Flat Washer	1/4	8
52	DDS225-336	Hex Head Screw	1/4-20x3/8	8
53	DDS237-257	Lower Bracket		4
54	DDS237-259	Upper Bracket		4
55	TS-0680011	Flat Washer	3/16	8

Conveyor Assembly – DDS-225

Index No.	Part No.	Description	Size	Qty
56	TS-081C022	Screw	#10-24 x 3/8	8
57	DDS237-260	Boot		4
59	TS-0208021	Socket Head Cap Screw	5/16-18 x 1/2	8
60	DDS225-260	Nylon Washer		8
61	TS-0267071	Set Screw	1/4-20x3/4	7
62	DDS225-262	Special Nut	7/8-9	4
63	TS-0267021	Socket Set Screw	1/4-20x1/4	1
64	DDS225-264	Special Nut	7/8-9	1
	DDS225-SBR	Screw and Boot Replacement Kit		

(includes # 6, 7, 15, 16, 26, 33, 40, 45, 48, 51 thru 57, 60 thru 64)



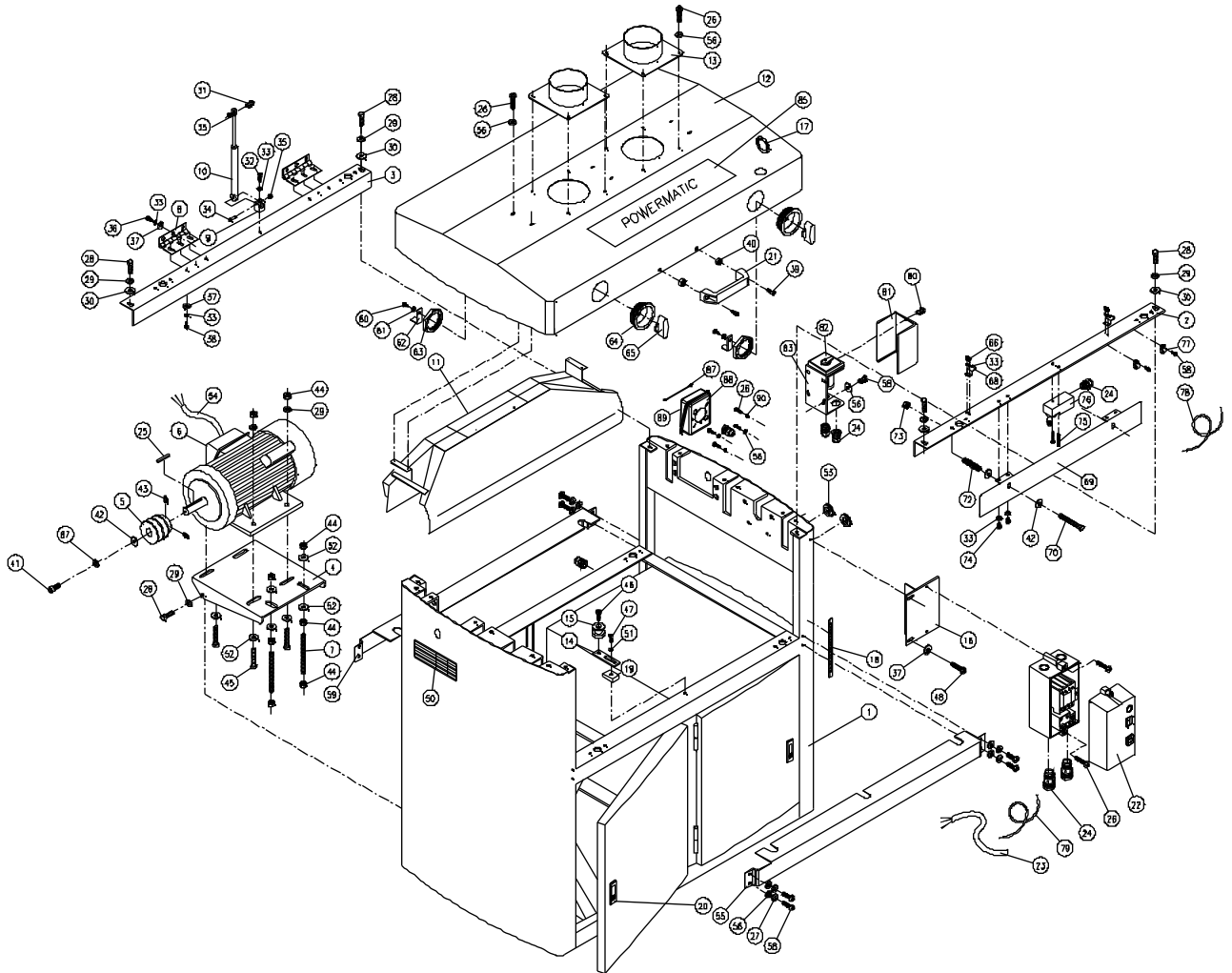
Motor & Cabinet Assembly – DDS-225

Index No.	Part No.	Description	Size	Qty
1	DDS225-301	Cabinet		1
2	DDS225-302	Support Bracket-Front		1
3	DDS225-303	Support Bracket-Rear		1
4	DDS225-304	Motor Plate		1
5	DDS225-305	Motor Pulley		1
6	DDS225-306	Motor	5HP, 1Ph, 230V	1
	DDS225-306MF	Motor Fan		1
	DDS225-306MFC	Motor Fan Cover		1
	JWBS20QT-218CS	Centrifugal Switch		1
	DDS225-306SC	Starting Capacitor	150MFD, 250VAC	1
	DDS225-306SCA	Starting Capacitor	200MFD, 250VAC	1
	DDS225-306RC	Running Capacitor	30 μ F, 450VAC	1
	DDS225-306JB	Junction Box		1
	DDS225-306JBC	Junction Box Cover		1
7	DDS225-307	Adjusting Screw		2
8	DDS225-308	Hinge		2
9	DDS225-309	Fixed Block		1
10	DDS225-310	Cylinder		1
11	DDS225-311	Flow Deflector		1
12	DDS225-312	Top Cover		1
13	DDS225-313	Dust Chute		2
14	DDS225-314	Roller Holder		1
15	DDS225-315	Idle Roller		1
16	DDS225-316	Switch Bracket		1
17	DDS225-317	Direction Label		1
18	DDS225-318	Scale		1
19	DDS225-319	Spacer		1
20	DDS225-320	Door Latch		3
21	DDS225-321	Handle		1
22	DDS225-322	Magnetic Switch		1
23	DDS225-323A	Power Cord		1
24	DDS225-324	Strain Relief		10
25	DDS225-325	Key	5 x 5 x 55 mm	1
26	DDS225-326	Screw	3/16-24 x 1/2	23
27	TS-0720051	Lock Washer	#10	22
28	TS-0060031	Hex Cap Screw	3/8-16 x 3/4	6
29	TS-0720091	Lock Washer	3/8	10
30	TS-1550071	Flat Washer	M10	4
31	TS-0050051	Hex Cap Screw	1/4-20 x 1	1
32	TS-0207021	Socket Head Cap Screw	1/4-20 x 1/2	2
33	TS-0720071	Lock Washer	1/4	20
34	TS-0050061	Hex Cap Screw	1/4-20 x 1-1/4	1
35	TS-0640071	Hex Nylon Lock Nut	1/4-20NC	2
36	DDS225-336	Hex Head Screw	1/4-20 X 3/8	6
37	TS-0680021	Flat Washer	1/4	10
38	TS-0050011	Hex Cap Screw	1/4-20 x 1/2	6
39	TS-0208041	Socket Head Cap Screw	5/16-18 x 3/4	2
40	TS-0561021	Hex Nut	5/16-18NC	2
42	DDS225-342	Flat Washer	8mm x 30 x 3T	5
43	TS-0270031	Socket Set Screw	5/16-18 x 3/8	2
44	TS-0561031	Hex Nut	3/8-16NC	10
45	TS-0060061	Hex Cap Screw	3/8-16NC x 1-1/4	4
46	DDS225-346	Shoulder Screw		1
47	TS-0208061	Hex Cap Screw	5/16-18 x 1	1
48	TS-081F032	Phillips Pan Head Machine Screw	1/4-20 x 1/2	4

Motor & Cabinet Assembly – DDS-225

Index No.	Part No.	Description	Size	Qty
50	DDS225-350	Label (Drum Setting Gauge)		2
51	TS-1550061	Flat Washer	M8	1
52	TS-1550071	Flat Washer	M10	8
53	DDS225-353	Strain Relief		3
54	DDS225-354	Motor Cord		1
55	DDS225-355	Front Cover		1
56	TS-1550031	Flat Washer	M5	16
58	DDS225-358	Screw	3/16-24 x 3/8	8
59	DDS225-359	Rear Cover		1
60	DDS225-360	Self Tapping Screw	#10 x 1/2	2
61	TS-069204	Flat Washer	SAE #10	2
62	DDS225-362	Lock Piece		2
63	DDS225-363	Plastic Nut		2
64	DDS225-364	Lock Housing		2
65	DDS225-365	Lock Knob		2
66	TS-0207011	Socket Head Cap Screw	1/4-20 x 3/8	4
68	DDS225-368	Holder		2
69	DDS225-369	Plate		1
70	TS-1490111	Hex Cap Screw	M8 x 60	2
72	DDS225-372	Spring		2
73	TS-1540061	Hex Nut	M8	2
74	TS-081F022	Phillips Pan Head Machine Screw	1/4-20 x 3/8	4
75	DDS225-375	Screw	3/16-24 x 1-1/4	2
76	DDS225-376A	Limit Switch		1
77	DDS225-377	Cord Holder		2
78	DDS225-378A	Limit Switch Cord		1
79	DDS225-379	Switch Cord, Reverse Switch to Conveyor Motor		1
80	TS-2284082	Phillips Pan Head Machine Screw	M4 x 8	1
81	DDS225-381	Switch Cover		1
82	DDS225-382	Reverse Switch		1
83	DDS225-383	Switch Bracket		1
85	3312341	Powermatic Logo		1
86	DDS225-WL	Warning Label (not shown)		1
87	DDS225-387	Grounding Cord		1
88	DDS225-388	Junction Box		1
89	DDS225-389	Junction Box Cover		1
90	DDS225-390	Star Washer		2

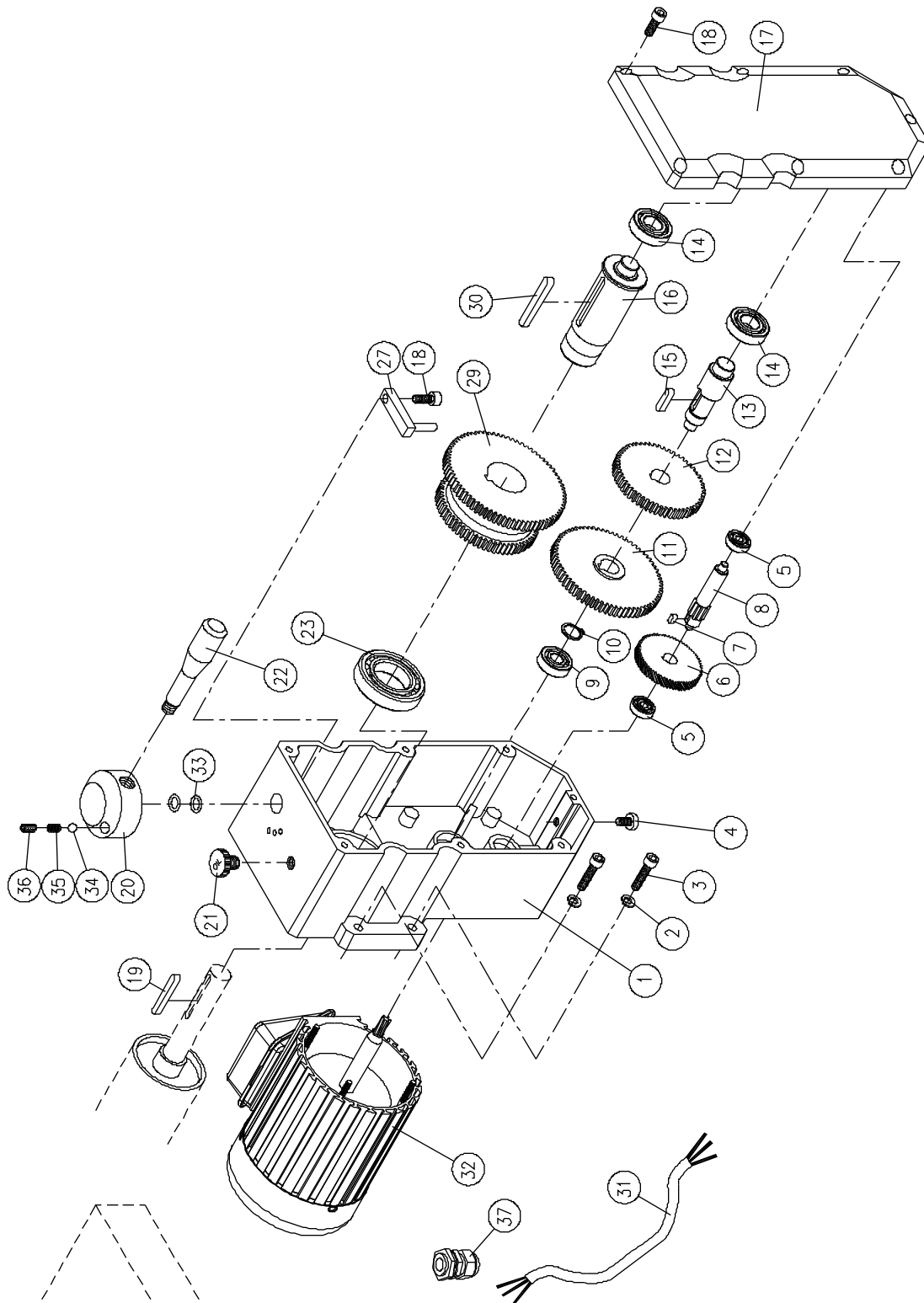
Motor & Cabinet Assembly – DDS-225



Gearbox Assembly – DDS-225

Index No.	Part No.	Description	Size	Qty
1	DDS225-401A	Gearbox Body (<i>serial no. 0506DDS225584 and higher</i>)		1
2	TS-0720071	Lock Washer	1/4	4
3	TS-0207071	Socket Head Cap Screw	1/4-20 x 1-1/4	4
4	DDS225-404	Drain Plug		1
5	BB-626VV	Ball Bearing		2
6	DDS225-406	Gear	66T	1
7	DDS225-407	Key	4 x 4 x 8	1
8	DDS225-408	Pinion		1
9	BB-6000VV	Ball Bearing	6000VV	1
10	DDS225-410	C-Ring		1
11	DDS225-411	Gear	70T	1
12	DDS225-412	Gear	57T	1
13	DDS225-413	Shaft		1
14	BB-6002VV	Ball Bearing	6002VV	2
15	DDS225-415	Key	5 x 5 x 20	1
16	DDS225-416	Shaft		1
17	DDS225-417	Cover		1
18	TS-1503041	Socket Head Cap Screw	M6 x 16	8
19	DDS225-419	Key	5 x 5 x 30	1
20	DDS225-420	Collar		1
21	DDS225-421	Oil Plug		1
22	DDS225-422	Handle		1
23	BB-6006VV	Ball Bearing		1
27	DDS225-427	Block		1
29	DDS225-429A	Gear Assembly (<i>s/n 0509DDS225726 and higher</i>)	64T / 77T	1
30	DDS225-430	Key	6 x 6 x 50	1
31	DDS225-431	Cable		1
32	DDS225-432A	Motor (<i>serial no. 0506DDS225584 and higher</i>)	1/4HP, 1Ph, 230V	1
	DDS225-432MF	Motor Fan		1
	DDS225-432MFC	Motor Fan Cover		1
	DDS225-432RC	Running Capacitor	10µF, 350VAC	1
	DDS225-432JB	Junction Box		1
	DDS225-432JBC	Junction Box Cover		1
33	DDS225-433	Gasket		2
34	DDS225-434	Steel Ball		1
35	DDS225-435	Spring		1
36	TS-1523011	Socket Set Screw	M6 x 6	1
37	DDS225-324	Strain Relief		1

Gearbox Assembly – DDS-225 Drum





WALTER MEIER (Manufacturing) Inc.

427 New Sanford Road
LaVergne, Tennessee 37086
Phone: 800-274-6848
www.powermatic.com
www.waltermeier.com