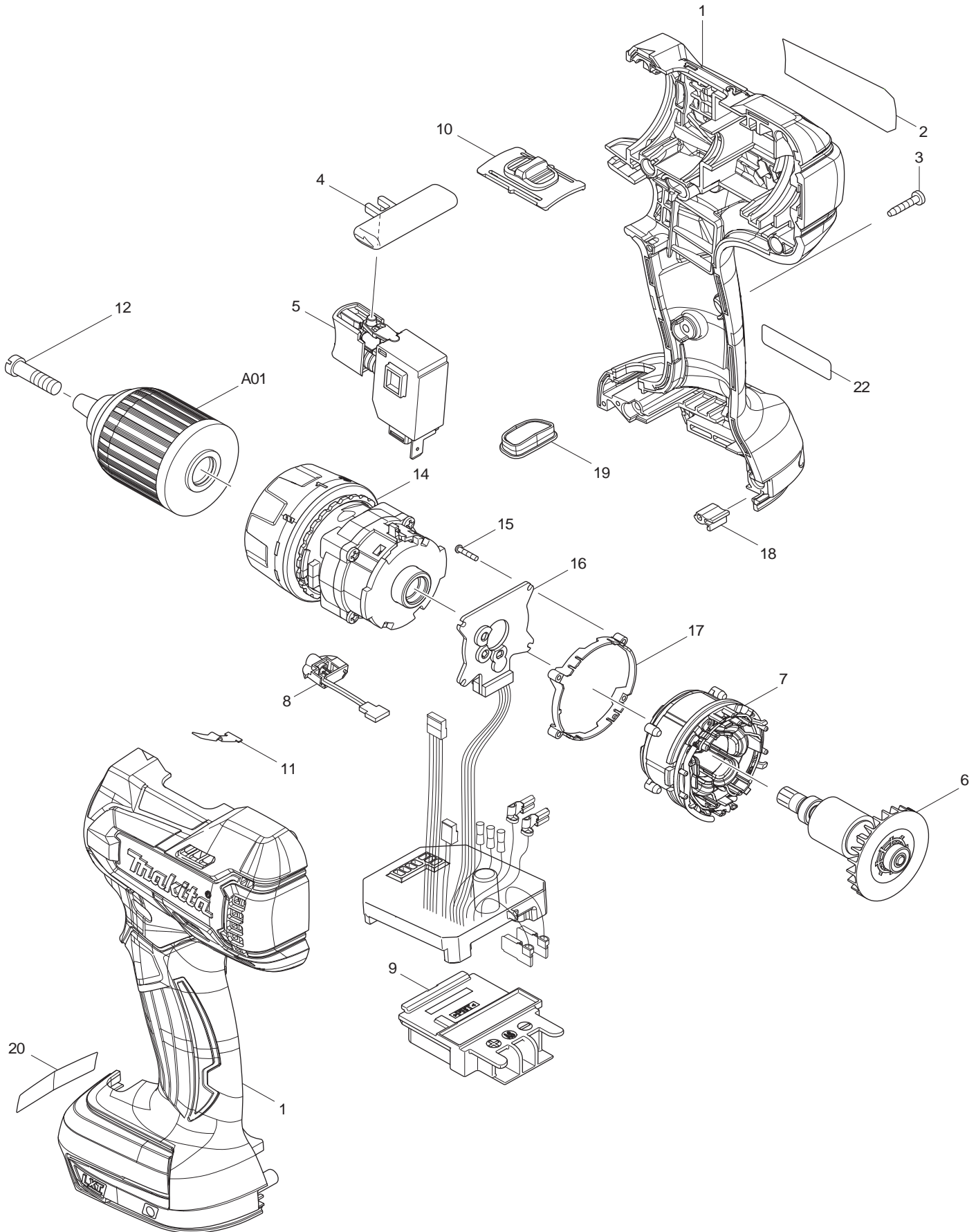




07 - 2013  
DDF480RFE, DDF480RME, DDF480Z  
18V BL DRIVER DRILL



Item No	Type	Part No	Description	Qty	Unit
1		187714-9	HOUSING SET	1	SET
	INC.	263005-3	RUBBER PIN 6	4	PC.
2		814X02-2	NAME PLATE F/DDF480	1	PC.
3		266429-2	TAPPING SCREW 3X16	9	PC.
4		419250-0	F/R CHANGE LEVER	1	PC.
5		650710-5	SWITCH C3JW-4B	1	PC.
6		619331-2	ROTOR	1	PC.
7		629999-6	STATOR	1	PC.
8		620244-2	LED CIRCUIT	1	PC.
9		643860-3	TERMINAL	1	PC.
10		126180-5	SPEED CHANGE LEVER ASSEMBLY	1	PC.
11		232182-2	LEAF SPRING	1	PC.
12		251468-5	- FLAT HEAD SCREW M6X22	1	PC.
14		126354-8	GEAR ASSEMBLY	1	PC.
15		266786-8	+ PAN HEAD TAPPING SCREW 2X10	4	PC.
16		620245-0	CONTROLLER	1	PC.
17		687464-1	SUPPORT	1	PC.
18		424517-3	CUSHION	1	PC.
19		142263-3	INDICATOR PANEL COMPLETE	1	PC.
20		802A04-2	CAUTION LABEL (SP)	1	PC.
22		802A05-0	CAUTION LABEL (FR)	1	PC.
100		251314-2	+ SCREW M4X12	1	PC.
101		875138-8	CARTON F/DDF480Z	1	PC.

#### **ACCESSORIES**

- See Catalogue or visit [www.makita.ca](http://www.makita.ca) for more accessories -

A01		766008-1	KEYLESS DRILL CHUCK 13	1	PC.
A02		346449-3	HOOK	1	PC.
A03		784637-8	+ BIT 2-45	1	PC.
A04		-----	<a href="#">BATTERY CHARGER</a>		
		DC18RC	DC18RC FAST CHARGER	1	PC.
A05		-----	<a href="#">18V LI-ION BATTERY</a>		
		196401-9	18V LI-ION BATTERY BL1840	2	PC.
A06		-----	<a href="#">LI-ION BATTERY ACCESSORIES</a>		
		450128-8	BATTERY COVER	1	PC.
A07		821532-2	PLASTIC CASE COMPLETE	1	PC.
		158597-4	PLASTIC CASE COMPLETE	1	PC.
	INC.	324679-6	SHAFT	1	PC.
	INC.	417724-5	LATCH	2	PC.
	INC.	419216-0	HANDLE	1	PC.