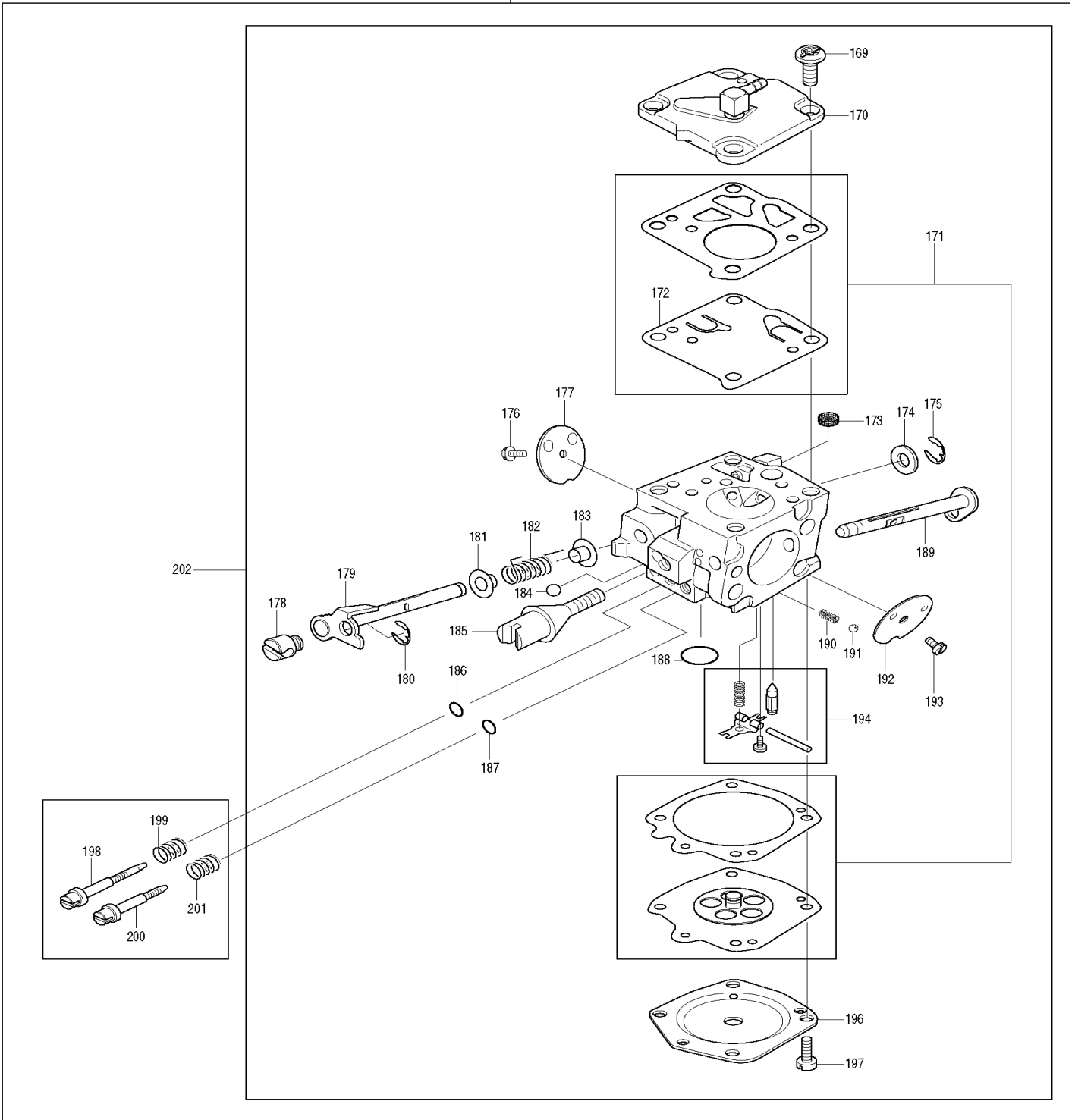
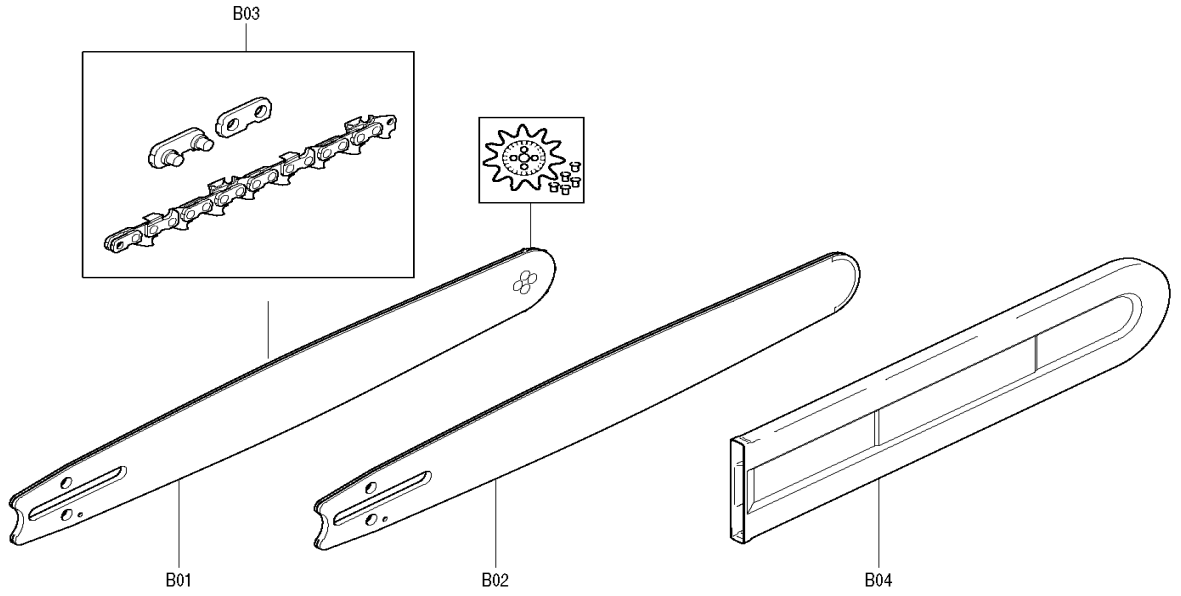


203









## Parts Breakdown

DCS9010

*Products with multiple versions are listed in subsiding order with the newest version on top not indented*

<u>Fig #</u>	<u>Part ID</u>	<u>Part Name</u>	<u>Quantity</u>
1	965-525-060	GASKET, DCS9000	1
2	010-114-050	OIL TANK PLUG, COMP., DCS9000	1
3	963-228-030	GASKET, DCS9000	1
4	965-605-120	NUT, DCS9000	1
5	965-605-400	STOP SWITCH, DCS9000	1
6	965-605-131	RUBBER BUSH, DCS9000	1
7	962-900-054	RADIAL RING, DPC7000	1
8	024-111-621	CRANKCASE, MAG. SIDE, DCS9000	1
9	965-403-370	RUBBER BUFFER, DCS6800I	1
10	965-525-070	GASKET, DCS9000	1
11	936-430-160	SPIRAL PIN 3X16, DCS340	2
12	960-102-179	BALL BEARING 6203C4, DCS9000	1
13	939-630-370	KEY, DPC7000	1
14	962-210-028	NEEDLE CAGE, DCS9000 .	1
15	024-120-022	CRANKSHAFT, DCS9000	1
16	960-102-179	BALL BEARING 6203C4, DCS9000	1
17	908-005-205	SCREW M5X20, DCS6000I21	4
18	133-132-050	PISTON RING, DCS9000	1
19	133-132-050	PISTON RING, DCS9000	1
20	024-111-071	GUIDE PLATE, DCS9010	1
21	031-132-020	PISTON PIN, DPC9500,T1	1
22	119-132-060	SPRING RING, DCS6000I21	2
23	024-132-020	PISTON COMP., DCS9000	1
24	024-111-640	CRANKCASE,CLUTCH SIDE, DCS9010	1
25	010-245-010	VENT VALVE, DCS431	1
26	024-232-030	BOLT, DCS9010	2
27	963-204-015	PACKING RING (4X1.5), DCS6800I	1
28	024-111-100	SAFETY PLATE, DCS9000	1
29	915-735-100	SCREW, DCS9010	1
30	001-213-170	NUT W/PIVOT, DCS9000	1
31	001-213-160	TENSIONING SCREW, DCS9000	1
32	915-735-100	SCREW, DCS9010	1
33	024-250-030	SPIKE BAR, DCS9000	1
34	908-006-145	SCREW M6X14, DCS6800I	2
35	024-111-050	CHAIN CATCH, DCS9000	1
36	024-232-040	BOLT, DCS9000	2
37	024-111-031	GUIDE PLATE, DCS9000	1
38	908-005-305	TORX SCREW 5X30, DCS340	7
39	962-900-054	RADIAL RING, DPC7000	1
40	024-310-100	FULL WRAP HANDLE DCS9000FW	1
41	965-551-250	POT, DCS430	1
42	965-403-430	RUBBER BUFFER, DCS520I	1
43	908-005-165	HEAD SCREW M5X16, DCS340	1
44	913-455-304	SCREW M5.5X30, DCS6000I21	1
45	913-455-304	SCREW M5.5X30, DCS6000I21	1
46	913-455-304	SCREW M5.5X30, DCS6000I21	2
47	913-455-204	SCREW M5.5X20, DCS6800I	2
48	965-404-520	GASKET, DCS431	1
49	965-404-700	FUEL LINE, DCS9000	1
50	963-601-240	FELT, DCS340	1
51	963-601-120	SUCTION HEAD FUEL, DCS6000I21	1
52	963-232-045	PACKING RING 32X4.5, DCS431	1
53	965-451-901	FUEL TANK PLUG AY, DCS540	1
54	024-114-630	TANK ASSEMBLY, DCS9000	1
55	965-725-041	BOWDEN CABLE COMP. DCS9000	1
56	957-114-010	VENT VALVE ASS'Y, DCS6000I21	1
57	965-451-750	BUTTON, DCS6000I21	1
58	965-551-160	PRESSURE SPRING, DCS6000I21	1
59	024-117-020	CATCH LEVER, DCS9000	1
60	965-551-150	STOP PIN, DCS6000I21	1
61	024-117-031	SPRING, DCS9000	1
62	024-117-010	THROTTLE LEVER, DCS9000	1
63	935-930-280	CYLINDRICAL PIN, DCS9000	1
64	935-930-450	CYLINDRICAL PIN, DCS9000 .	1



## Parts Breakdown

DCS9010

65	965-404-720	BUSH, DCS9000	4
66	965-403-461	RUBBER BUFFER, DCS9000	4
67	913-455-204	SCREW M5.5X20, DCS6800I	4
68	965-404-740	PLUG, DCS9000	4
69	908-005-165	HEAD SCREW M5X16, DCS340	4
70	024-112-630	STARTER ASSEMBLY, DCS9000	1
71	928-405-000	WASHER, DCS340	1
72	965-402-262	STARTER GRIP, DCS6800I	1
73	985-000-165	STARTER CORD 4.0 100 M, DPC6200	1
74	980-114-217	LABEL, DPC6400	1
75	024-112-680	FAN HOUSING, DCS9000	1
76	020-163-031	REWIND SPRING CPL, DCS9000	1
77	915-135-100	SCREW 3.5X9.5, DCS431	3
78	024-162-081	CABLE DRUM, DCS9010	1
79	929-314-100	SNAP RING, 14 X 1, DCS6000I21	1
80	024-112-021	AIR DUCT, DCS9000	1
81	970-502-110	INSULATING HOSE (43 MM), DCS340	1
82	970-310-200	IGNITION CABLE(150 MM), DCS340	1
83	957-604-260	PLUG CAP ASSY, DCS431	1
84	965-604-180	SPRING, DCS431	1
85	965-603-021	SPARK PLUG,WSR5F DPC6200	1
86	965-401-011	RUBBER BUSH, DCS340	1
87	970-502-050	INSULATING HOSE,DCS431 3.94	1
88	908-605-205	F.H. SCREW M5X20, DCS9000	2
89	024-143-050	IGNITION COIL, DCS9010	1
90	031-166-010	STARTER RATCHET, DCS6000I21	2
91	024-141-210	FLYWHEEL ASSY., PS9010	1
92	920-308-024	HEX NUT M8X1, DCS340	1
93	926-208-001	SPRING WASHER 8, DPC7000	1
94	024-245-100	OIL PUMP ASS'Y, DCS9000	1
95	957-245-360	REPAIR KIT, DCS9000	1
96	963-608-100	ANGULAR NIPPLE, DCS9000	1
97	908-005-125	F.H. SCREW M5X12, DCS431	2
98	024-245-200	OIL SUCTION LINE, DCS9000	1
99	900-005-066	DISTANCE RING, DCS9000	1
100	963-601-100	SCREEN, DCS9000 .	1
101	024-213-180	HAND PROTECTION, DCS9000	1
102	980-114-237	LABEL (SAFETY), DCS430	1
103	010-213-021	BRAKING MECHANISM, DCS6800I	1
104	927-306-000	SAFETY WASHER , DCS6800I	1
105	900-004-364	SPACER, DCS9010	1
106	927-304-000	SAFETY WASHER , DCS431	1
107	024-111-061	SPRING GUIDING HEAD, DCS9000	1
108	024-213-321	PRESSURE SPRING, DCS6800I	1
109	024-213-351	BRAKE SPRING, DCS9000	1
110	965-404-800	COVER,FOAM PLATE, DCS6800I	1
111	024-213-101	PLATE, DCS9000	1
112	908-005-125	F.H. SCREW M5X12, DCS431	4
113	010-180-110	CLUTCH ASSEMBLY, DCS9010	1
114	024-184-021	TENSION SPRING, DCS9000	3
115	024-223-041	CLUTCH DRUM, DCS9000	1
116	962-210-024	NEEDLE CAGE, DCS9000	1
117	119-224-070	RIM SPROCKET 3/8, DCS6800I	1
118	001-224-011	DISC, DCS9000	1
119	021-224-010	DISC, DCS340	1
120	927-308-000	SAFETY WASHER, DCS9000 .	1
121	024-213-690	SPROCKET GUARD CPL., DCS9010	1
122	915-735-100	SCREW, DCS9010	3
123	024-213-221	CHIP GUIDE, DCS9000	1
124	965-404-761	RUBBER PLATE, DCS9010	1
125	024-213-240	CHAIN GUIDE, DCS9000	1
126	024-213-240	CHAIN GUIDE, DCS9000	1
127	922-606-000	HEX NUT M6, DCS6000I21	2
128	024-250-030	SPIKE BAR, DCS9000	1
129	908-006-145	SCREW M6X14, DCS6800I	2
130	923-208-004	HEX NUT, DCS341	2
131	980-114-739	LABEL, DCS9010	1



## Parts Breakdown

DCS9010

132	024-173-200	NUT, DCS9000	2
133	024-118-111	COVER ASSEMBLY, DCS9000	1
135	980-113-841	LABEL, DCS430	1
136	908-305-255	TORX SCREW T-27, DCS6000I21	3
137	024-118-121	HOOD, DCS9000	1
138	024-173-200	NUT, DCS9000	2
139	024-173-230	AIR FILTER COMP., DCS90000	1
140	920-205-000	HEX NUT M5, DCS340	2
141	928-105-000	SAFETY WASHER 5, DPC7000	2
142	024-173-160	AIR FILTER HOLDER, DCS9000	1
143	024-150-170	SHEET METAL HOLDER, DCS9000	1
144	920-205-000	HEX NUT M5, DCS340	1
145	965-401-011	RUBBER BUSH, DCS340	1
146	965-452-060	VENTILATION LINE, DCS9000	1
147	965-401-016	RUBBER BUSH, DCS6800I	1
148	024-131-031	INSERT, DCS9000 (SUCTION HOSE)	1
149	024-118-160	ADJUSTING GUIDE, PS9010	1
150	908-005-165	HEAD SCREW M5X16, DCS340	4
151	024-118-032	BOTTOM, DCS9010	1
152	024-150-020	CHOKE SHAFT, DCS9000	1
153	965-401-021	RUBBER BUSH, DCS9000	1
154	965-401-024	RUBBER BUSH, DCS5200I	1
155	965-401-021	RUBBER BUSH, DCS9000	1
156	024-131-022	HOSE, DCS9000	1
157	965-603-050	HOSE CLIP, DPC6410	1
158	908-605-145	F.H. SCREW M5X14, DCS9000	1
159	024-173-610	COVER FOR PRE-FILTER, DCS9000	1
161	024-173-081	PRE-FILTER, DCS9000	1
162	024-174-040	DEFLECTOR PLATE, DCS9000	1
163	965-525-101	GASKET, DCS9000	1
164	024-174-153	MUFFLER ASSY., PS9010	1
165	024-174-160	SCREEN, DCS9000 .	1
166	024-174-171	DEFLECTOR PLATE, PS9010	1
167	915-142-090	SCREW, DCS9010	1
168	024-174-020	SPECIAL SCREW, DCS9000	3
169	394-150-170	FILLISTER HEAD SCREW, DPC7300	4
170	024-150-160	PUMP COVER CPL., DCS9010	1
171	957-150-100	DIAPHRAGM & GASKET, DCS6000I21	1
172	113-150-150	PUMP DIAPHRAGM (237-144), DPC7311	1
173	394-150-180	SCREEN, DPC7300	1
174	122-151-400	DISC, DCS6000I21 .	1
175	100-150-350	SAFETY WASHER, DCS6000I21	1
176	001-150-650	SCREW, DCS520I	1
177	024-150-320	THROTTLE SHUTTER, DCS9010	1
178	024-150-100	HOLDER FOR BOWDEN CABLE, DCS9010	1
179	024-150-300	THROTTLE SHAFT, DCS9010	1
180	024-150-110	SAFETY WASHER, DCS9010	1
181	144-151-315	BUSHING, DCS6000I21	1
182	001-150-310	SPRING 24C-29, DCS9010	1
183	144-151-315	BUSHING, DCS6000I21	1
184	001-150-510	FRICTION BALL, DCS6800I	4
185	394-150-570	IDLE STOP SCREW, DPC7300	1
186	394-150-180	SCREEN, DPC7300	1
187	394-150-180	SCREEN, DPC7300	1
188	113-150-040	COVER DISC, DPC7311	1
189	144-151-480	SPRING(L), DCS6000I21	1
190	101-150-080	LOCKING SPRING, DPC7000	1
191	113-150-380	LOCKING BALL, DPC7000	1
192	113-150-261	CHOKE SHUTTER, DPC7000	1
193	001-150-650	SCREW, DCS520I	1
194	957-150-190	SET OF CONTROL PARTS, DCS9010	1
196	001-150-520	SCREW, DCS6800I	4
197	122-151-121	DIAPHRAGM COVER, DPC7000	1
198	024-150-470	IDLE ADJUSTMENT SCREW, DCS9010	1
199	144-151-480	SPRING(L), DCS6000I21	1
200	024-150-510	MAIN ADJUSTMENT SCREW, DCS9010	1
201	144-151-480	SPRING(L), DCS6000I21	1



## Parts Breakdown

**DCS9010**

202	024-150-030	CARBURETOR, DCS9010	1
210	024-182-060	GUIDE DISC, DPC7300	1
211	024-130-300	CYLINDER & PISTON ASS'Y.,DCS9000	1
2,001	443050652	SPROCKET NOSE BAR 20,DCS9010	1
2,001	443060652	SPROCKET NOSE BAR 24,DCS9010	1
2,002	443050452	N/A	1
2,002	443060452	N/A	1
2,002	443074452	N/A	1
2,003	528099672	SAW CHAIN 20, DCS9000	1
2,003	528099680	SAW CHAIN 24, DCS9000	1
2,003	528099696	N/A	1
2,004	952100171	CHAIN SHEATH, DCS6401	1
2,004	952100653	CHAIN PROTECTION,20-24,50-60CM DCS	1