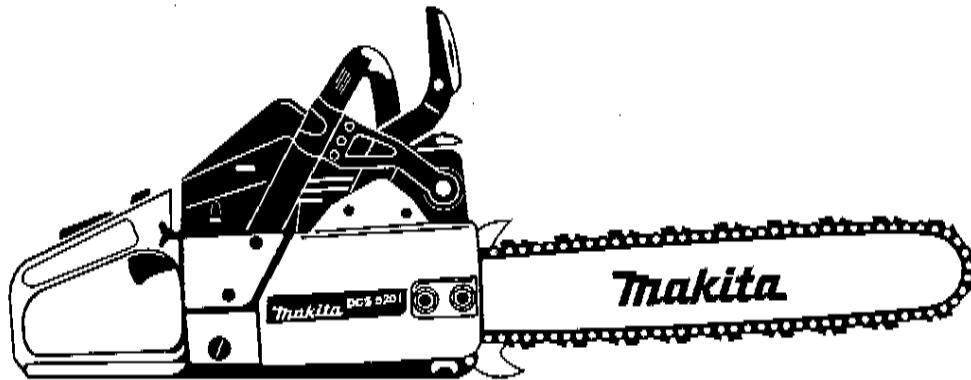




18" GASOLINE CHAIN SAW

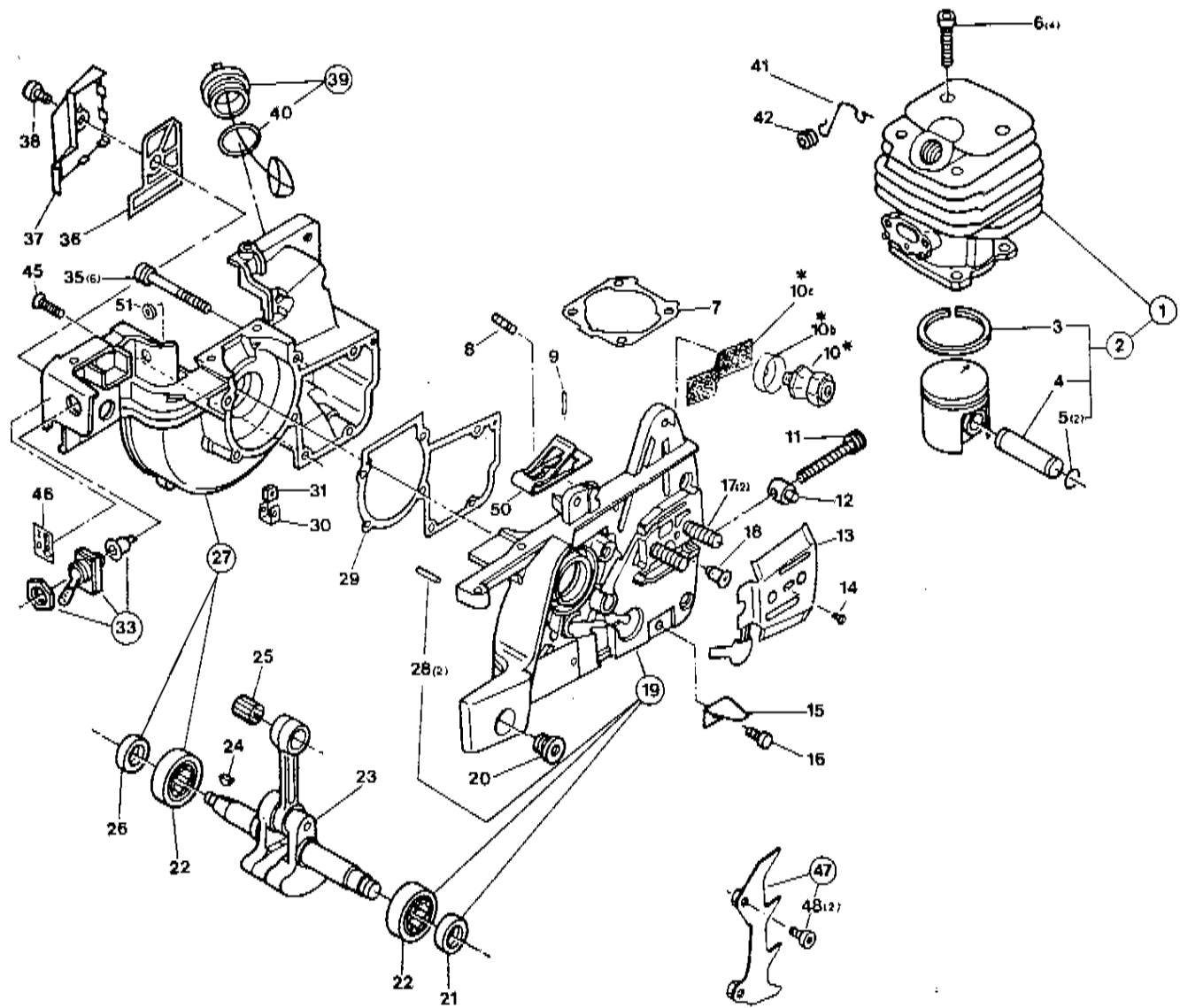
MODEL DCS520i



CONTENTS:

- 1) Cylinder, Piston, Crankshaft, Crankcase with Oil Tank**
- 2) Fuel Tank with Grip, Tubular Grip, Rubber Buffer, Muffler**
- 3) Ignition Electronics, Flywheel, Starter**
- 4) Oil Pump, Clutch, Chain Brake**
- 5) Hood, Air Filter, Intake System Pieces**
- 6) Carburetor Parts**
- 7) Accessories**

1) Cylinder, Piston, Crankshaft, Crankcase with Oil Tank



| Fig. | Part No. | Qty. Used | Description | List | Fig. | Part No. | Qty. Used | Description | List |
|------|-------------|-----------|--|--------|------|-------------|-----------|----------------------|--------|
| 1 | 026-130-000 | 1 | CYLINDER & PISTON ASSY | 135.16 | 23 | 020-120-010 | 1 | CRANKSHAFT | 112.52 |
| 2 | 020-132-111 | 1 | PISTON ASSY | 60.27 | 24 | 939-620-371 | 1 | KEY | 0.41 |
| 3 | 020-132-140 | 1 | PISTON RING | 11.41 | 25 | 962-211-030 | 1 | NEEDLE CAGE | 5.24 |
| 4 | 020-132-030 | 1 | PISTON PIN | 7.00 | 26 | 962-900-050 | 1 | RADIAL DIAL | 2.60 |
| 5 | 020-132-050 | 2 | SPRING RING | 0.73 | 27 | 020-111-640 | 1 | CRANKCASE ASSY | 59.00 |
| 6 | 908-005-205 | 4 | SCREW M5X20 | 1.04 | 28 | 936-430-160 | 2 | SPIRAL CLAMPING PIN | 0.20 |
| 7 | 965-525-041 | 1 | GASKET | 1.04 | 29 | 965-525-001 | 1 | GASKET | 1.52 |
| 8 | 027-213-230 | 1 | BOLT | 1.04 | 30 | 020-111-070 | 2 | CRAMP | 1.04 |
| 9 | 934-930-100 | 1 | CLAMPING SLEEVE | 0.20 | 31 | 923-305-000 | 2 | SQUARE NUT M5 | 0.20 |
| 10 | 965-403-430 | 1 | RUBBER BUFFER | 5.18 | 33 | 957-605-112 | 1 | SHORT-CIRCUIT SWITCH | 6.44 |
| 10b | 965-551-250 | 1 | POT | 1.52 | 35 | 908-005-305 | 6 | SCREW | 1.04 |
| 10c | 108-213-180 | 1 | SAFETY-CATCH WIRE | 1.04 | 36 | 020-173-011 | 1 | PREFILTER | 2.09 |
| 11 | 389-213-080 | 1 | TENSION SCREW | 1.04 | 37 | 020-173-610 | 1 | PREFILTER COVER | 2.00 |
| 12 | 001-213-020 | 1 | NUT WITH PIVOT | 2.09 | 38 | 908-305-145 | 1 | SCREW M5X14 | 1.04 |
| 13 | 020-111-172 | 1 | GUIDE PLATE | 2.09 | 39 | 965-451-900 | 1 | FUEL TANK PLUG | 4.24 |
| 14 | 915-135-100 | 1 | SCREW | 0.20 | 40 | 963-100-050 | 1 | GASKET | 0.20 |
| 15 | 020-111-082 | 1 | CHAIN CATCH | 1.00 | 41 | 001-142-012 | 1 | CRAMP | 1.04 |
| 16 | 908-005-125 | 1 | SCREW M5X12 | 1.04 | 42 | 965-401-011 | 1 | RUBBER BUSH | 0.73 |
| 17 | 905-808-305 | 2 | GUDGEON 8X30 | 1.04 | 45 | 908-105-204 | 1 | SCREW M5X20 | 1.04 |
| 18 | 965-404-260 | 1 | VENT VALVE | 3.27 | 46 | 980-113-841 | 1 | LABEL | 0.51 |
| 19 | 027-111-620 | 1 | CRANKCASE ASSY (CL), (INCL FIG.8,9,21,22,28) | 59.00 | 47 | 020-250-020 | 1 | SPIKE BAR-OUTSIDE | 6.41 |
| 20 | 001-111-011 | 3 | SPECIAL SCREW | 1.04 | 48 | 908-005-085 | 2 | SCREW M5X8 | 1.04 |
| 21 | 962-900-052 | 1 | RADIAL RING | 4.30 | 50 | 027-213-320 | 1 | LEAF SPRING | 2.09 |
| 22 | 960-622-150 | 2 | ROLLER BEARING 15/25 | 10.35 | 51 | 965-401-011 | 1 | RUBBER BUSH | 0.73 |



NO. MAHOB- 168-94

TECHNICAL INFORMATION BULLETIN

DATE 10/12/94

Page 2 of 2

| | | | |
|---|-----------------------|-------------------|--|
| RE: MANY MODELS, BEARING CHANGE | ITEM MASTER 407-94 | MA-ASC- 104-94 | REFERENCE NO. 30-11-1993 OMAHO-96191 |
|---|-----------------------|-------------------|--|

NEW PARTS LIST PRICE

| | | |
|-------------------|------------------|----------|
| Part #027-120-010 | Crank Shaft | \$118.00 |
| Part #027-111-630 | Crank Case Ass'y | 58.00 |
| Part #027-111-680 | Crank Case Ass'y | 59.00 |
| Part #960-102-129 | Ball Bearing | 8.00 |



NO. MAHOB- 168-94

TECHNICAL INFORMATION BULLETIN

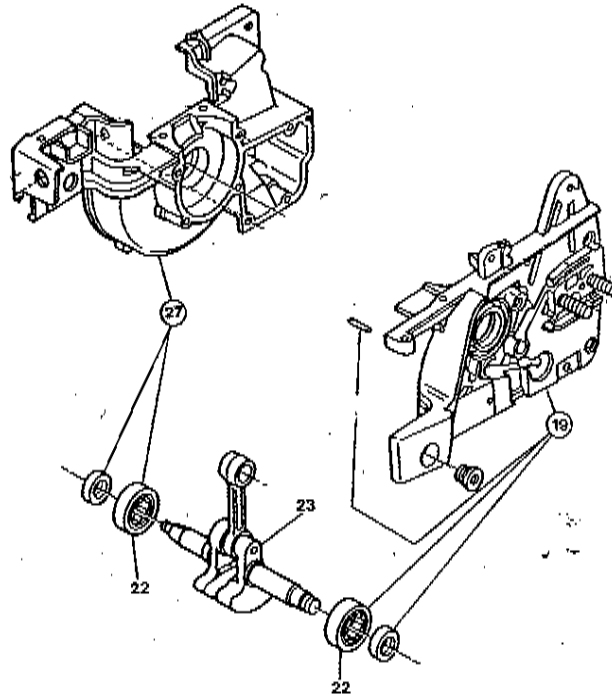
DATE 10/12/94

Page 1 of 2

| | | | | |
|-----|-----------------------------|-----------------------|-------------------|--|
| RE: | MANY MODELS, BEARING CHANGE | ITEM MASTER 407-94 | MA-ASC- 104-94 | REFERENCE NO. 30-11-1993 OMAHO-96191 |
|-----|-----------------------------|-----------------------|-------------------|--|

SERVICE CHANGE

Change on Roller Bearing to Ball Bearing on DCS430 from S/N 34,401;
DCS520i from S/N 34,701; DCS5200i from S/N 31,601. New grooved
Ball Bearings have a larger diameter.

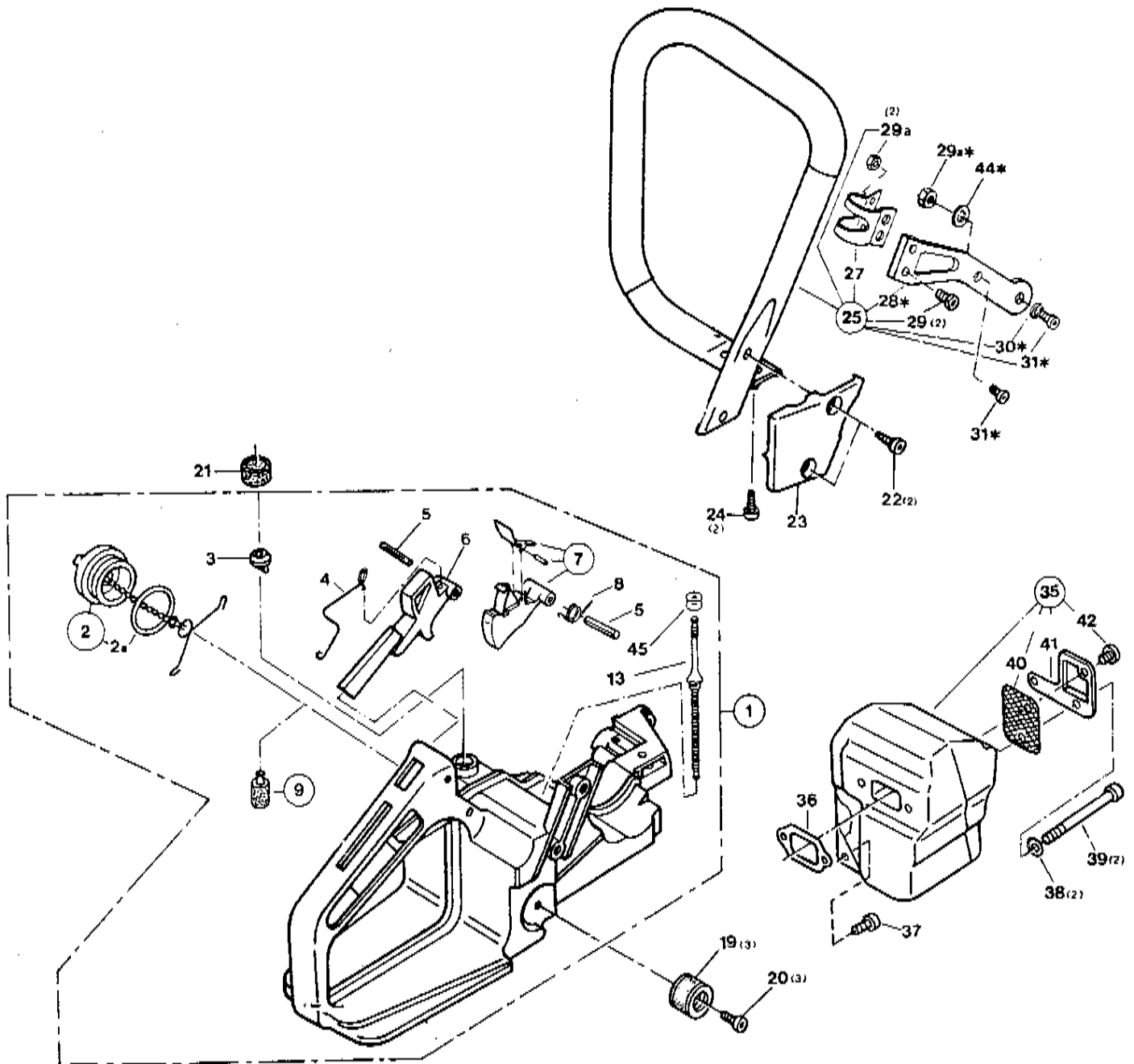


| FIG. | DESCRIPTION | TYPE 1 | TYPE 2 |
|------|-------------------------------|--|---|
| 19 | Crank Case (Incl. Fig. 22) | Part #027-111-620 (with roller bearing Part #960-622-150) | Part #027-111-680 (with ball bearing Part #960-102-159) |
| 22 | Bearing | Part #960-622-150 Roller Bearing | Part #960-102-129 Ball Bearing (use with Fig. 27) Part #960-102-159 Ball Bearing (Included in Fig. 19**) |
| 23 | Crank Shaft | Part #020-120-010 | Part #027-120-010 |
| 27 | Crank Case | Part #020-111-640 (with Fig. 22 bearing Part #960-622-150) | Part #027-111-630 (without bearing) |

The above parts are completely interchangeable as a set.

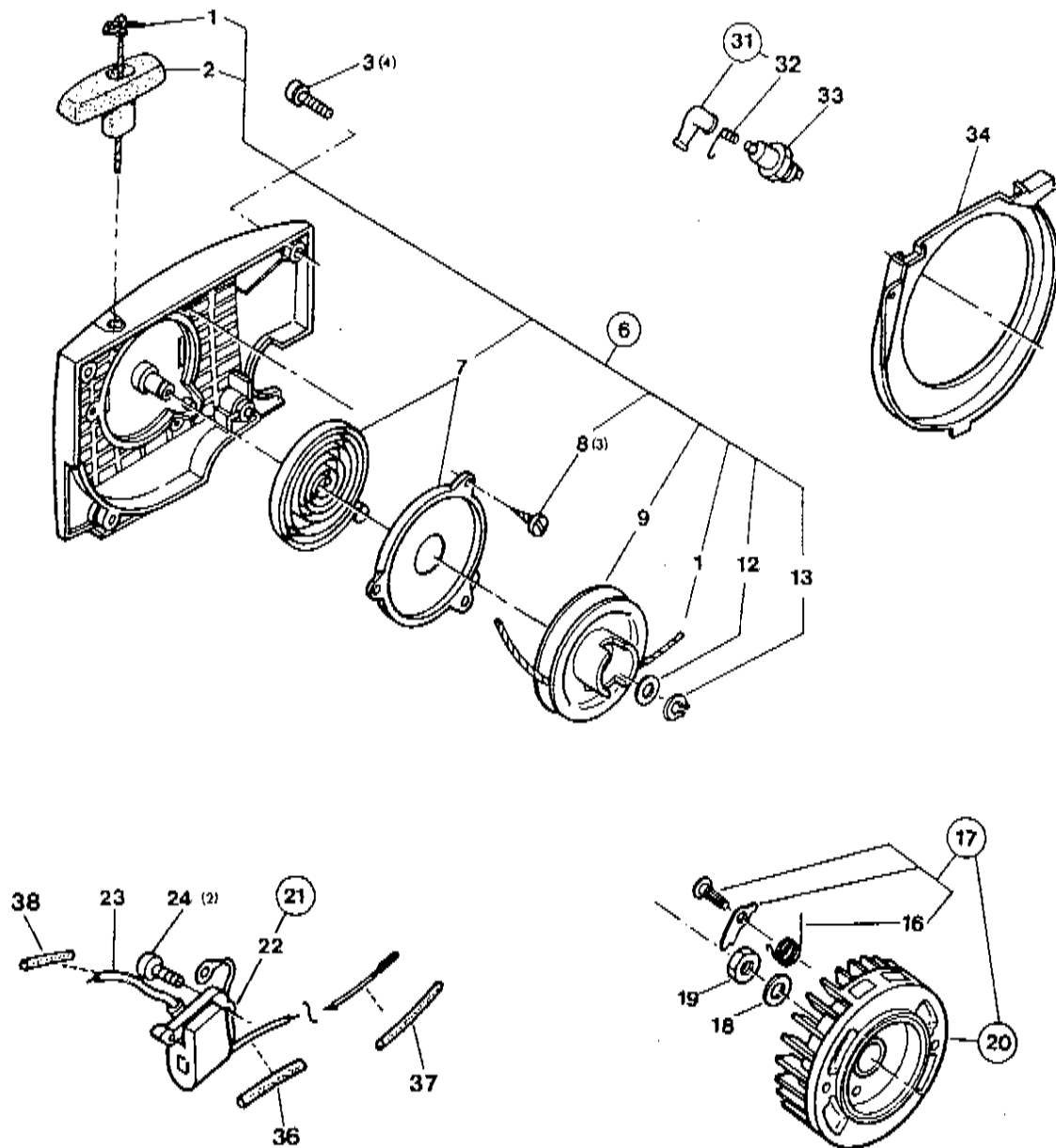
** Heat the housing to approx. 176° F (80° C)
and cement the bearing into the housing
using Locite.

2) Fuel Tank with Grip, Tubular Grip, Rubber Buffer, Muffler



| Fig. | Part No. | Qty. Used | Description | List | Fig. | Part No. | Qty. Used | Description | List |
|------|-------------|-----------|--------------------|-------|------|-------------|-----------|-------------------------------------|-------|
| 1 | 020-114-640 | 1 | TANK ASSY | 52.82 | 25 | 020-310-251 | 1 | TUBULAR HANDLE ASSY | 30.59 |
| 2 | 965-450-301 | 1 | TANK PLUG ASSY. | 4.24 | 27 | 020-310-130 | 1 | CLAMP | 2.76 |
| 2a | 963-232-045 | 1 | PACKING RING | 1.04 | 28 | 957-310-142 | 1 | BRACKET CPL.(INCL. FIG. 10, PAGE 2) | 6.90 |
| 3 | 965-404-220 | 1 | VENT VALVE | 2.76 | 28 | 957-310-142 | 1 | BRACKET CPL.(INCL. FIG. 10, PAGE 2) | 6.90 |
| 4 | 020-117-160 | 1 | BEND SPRING | 2.09 | 29 | 908-005-125 | 2 | SCREW M5X12 | 1.04 |
| 5 | 935-932-320 | 2 | CYLINDRICAL PIN | 1.04 | 29a | 920-205-000 | 3 | HEXAGONAL NUT M5 | 0.20 |
| 6 | 020-117-172 | 1 | CATCH LEVER | 2.09 | 30 | 926-105-001 | 1 | SPRING RING 5 | 0.20 |
| 7 | 020-117-290 | 1 | THROTTLE LEVER CPL | 8.59 | 31 | 908-005-085 | 2 | SCREW M5X8 | 1.04 |
| 8 | 020-117-273 | 1 | SPRING | 0.51 | 35 | 020-174-203 | 1 | MUFFLER ASSY | 32.20 |
| 9 | 963-601-260 | 1 | SUCTION HEAD | 2.76 | 36 | 965-522-031 | 1 | GASKET | 1.04 |
| 13 | 965-404-460 | 1 | FUEL LINE | 3.53 | 37 | 991-105-107 | 1 | SCREW M5X10 | 0.51 |
| 19 | 965-403-280 | 3 | RUBBER BUFFER | 5.12 | 38 | 928-405-000 | 2 | SPRING WASHER | 0.51 |
| 20 | 913-447-134 | 3 | TAP SCREW | 1.04 | 39 | 905-105-625 | 2 | SCREW M5X62 | 1.04 |
| 21 | 965-404-311 | 1 | GASKET | 0.51 | 40 | 020-174-110 | 1 | SCREEN | 2.09 |
| 22 | 913-455-164 | 2 | SELF-CUTTING SCREW | 1.04 | 41 | 020-174-121 | 1 | DEFLECTOR PLATE | 3.61 |
| 23 | 020-310-600 | 1 | COVER | 2.00 | 42 | 915-042-130 | 1 | SCREW | 0.20 |
| 24 | 913-455-134 | 2 | SELF-CUTTING SCREW | 1.04 | 44 | 924-805-310 | 1 | DISK | 0.51 |
| | | | | | 45 | 965-404-520 | 1 | GASKET | 1.04 |

3) Ignition Electronics, Flywheel, Starter

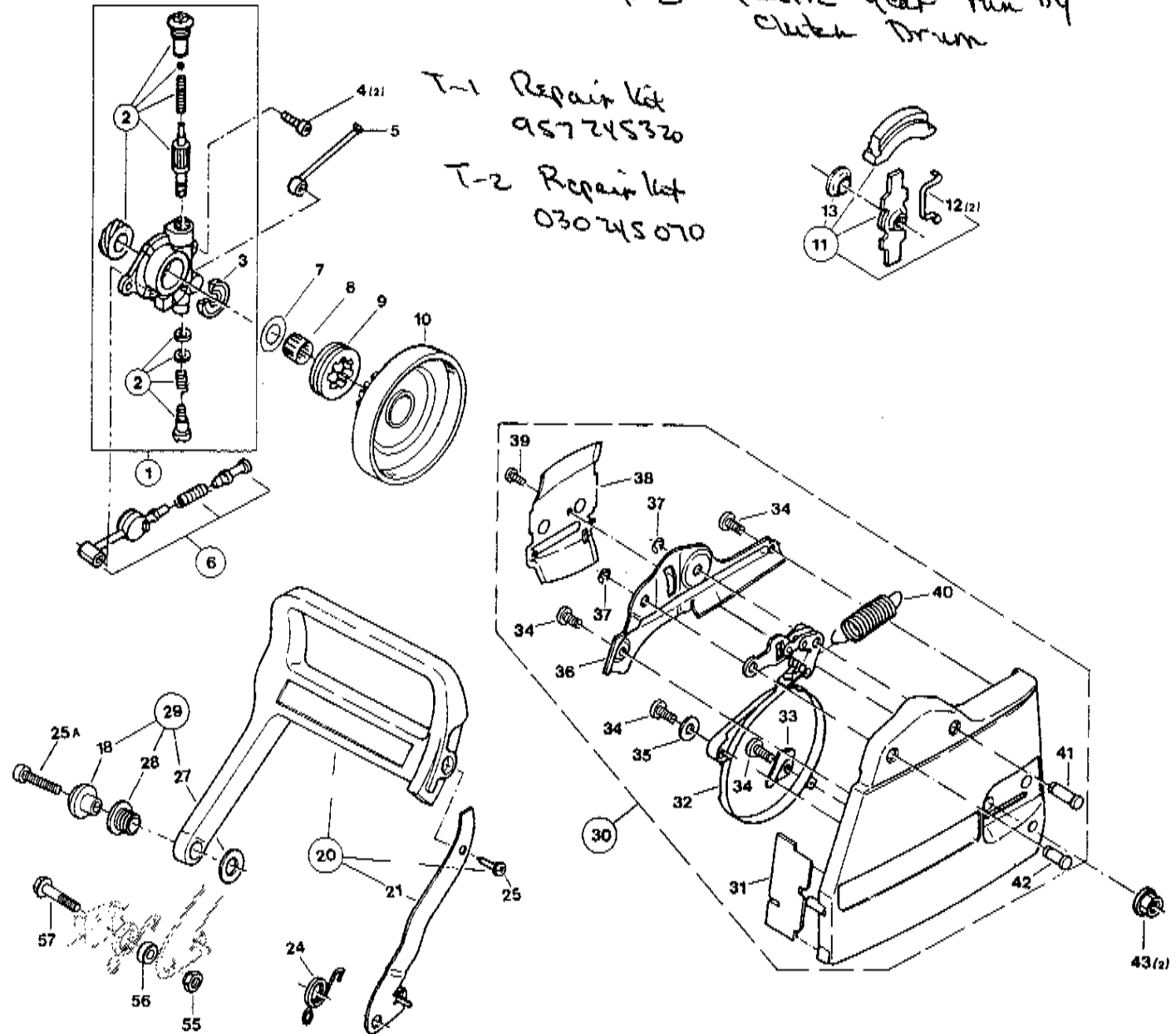


| Fig. | Part No. | Qty. Used | Description | List | Fig. | Part No. | Qty. Used | Description | List |
|------|-------------|-----------|----------------------|-------|------|-------------|-----------|---------------------------|-------|
| 1 | 108-164-020 | 1 | STARTER ROPE (980MM) | 3.00 | 19 | 920-308-024 | 1 | HEXAGONAL NUT | 0.30 |
| 2 | 965-404-031 | 1 | STARTER GRIP | 3.00 | 20 | 027-141-020 | 1 | FLYWHEEL ASSY | 58.08 |
| 3 | 908-005-165 | 4 | SCREW M5X16 | 1.04 | 21 | 027-140-000 | 1 | IGNITION ASSY | 76.31 |
| 4 | 020-112-620 | 1 | FAN HOUSING | 13.00 | 22 | 020-143-030 | 1 | IGNITION COIL W. ELEC. | 53.90 |
| 6 | 026-160-620 | 1 | STARTER ASSY | 41.13 | 23 | 970-310-200 | 1 | IGNITION CABLE (180MM) | 2.00 |
| 7 | 020-163-030 | 1 | REWIND SPRING | 5.18 | 24 | 908-305-205 | 2 | SCREW M5X20 | 1.04 |
| 8 | 915-135-100 | 3 | SCREW | 0.20 | 31 | 957-604-260 | 1 | PLUG CAP ASSY | 2.76 |
| 9 | 027-162-033 | 1 | CABLE DRUM | 8.53 | 32 | 965-604-180 | 1 | SPRING | 0. |
| 12 | 924-108-400 | 1 | DISK | 0.60 | 33 | 965-603-014 | 1 | SPARK PLUG | 2. |
| 13 | 929-108-080 | 1 | SAFETY DISK | 0.20 | 34 | 020-112-010 | 1 | AIR DUCT | 2.76 |
| 16 | 027-166-071 | 2 | SPRING | 0.51 | 36 | 970-502-050 | 1 | INSULATING HOSE (1X100MM) | 0.80 |
| 17 | 108-166-051 | 1 | STARTER RATCHET ASSY | 5.22 | 37 | 970-502-050 | 1 | INSULATING HOSE (1X155MM) | 0.80 |
| 18 | 928-308-001 | 1 | SPRING WASHER | 0.20 | 38 | 970-502-110 | 1 | INSULATING HOSE (1X55) | 2.76 |

T-1 oil pump Press on internal gear

4) Oil Pump, Clutch, Chain Brake

T-2 plastic gear run by clutch Drum



| Fig. | Part No. | Qty. Used | Description | List | Fig. | Part No. | Qty. Used | Description | List |
|------|-------------|-----------|-----------------------|-------|------|-------------|-----------|----------------------|-------|
| 1 | 027-245-110 | 1 | OIL PUMP ASSY | 28.26 | 28 | 027-213-150 | 1 | RUBBER BUSH | 1.52 |
| 2 | 957-245-320 | 1 | REPAIR KIT T-1 | 14.92 | 29 | 027-213-430 | 1 | BUSHING SET | 6.78 |
| 3 | 962-900-038 | 1 | RADIAL RING 15/23X3 | 3.53 | 30 | 027-213-620 | 1 | SPROCKET GUARD ASSY | 47.00 |
| 4 | 908-005-125 | 2 | SCREW (T)M5X12 | 1.04 | 31 | 027-213-280 | 1 | PROTECTION COVER | 1.04 |
| 5 | 020-245-020 | 1 | PRESSURE LINE | 2.60 | 32 | 027-213-050 | 1 | BRAKE SPRING W/LEVER | 14.92 |
| 6 | 020-245-040 | 1 | SUCTION LINE HOSE | 3.94 | 33 | 027-213-350 | 1 | BRAKE BAND HOLDER | 0.73 |
| 7 | 020-224-120 | 1 | STOP DISK | 1.04 | 34 | 904-505-122 | 4 | TAPPING SCREW M5X12 | 0.30 |
| 8 | 962-210-025 | 1 | NEEDLE CAGE | 4.71 | 35 | 924-500-049 | 1 | WASHER | 0.51 |
| 9 | 026-224-010 | 1 | RIM SPROCKET 3/8",T=7 | 7.25 | 36 | 027-213-111 | 1 | COVER PLATE | 2.60 |
| 10 | 020-223-101 | 1 | CLUTCH DRUM | 17.00 | 37 | 927-304-000 | 2 | SAFETY DISK 4 | 0.20 |
| 11 | 020-180-000 | 1 | CLUTCH ASSY | 18.29 | 38 | 027-111-040 | 1 | GUIDE PLATE | 2.08 |
| 12 | 112-184-111 | 2 | LEAF SPRING(CLUTCH) | 1.04 | 39 | 915-135-100 | 1 | SCREW | 0.20 |
| 13 | 020-182-061 | 1 | SPECIAL SPACER | 1.75 | 40 | 027-213-120 | 1 | SPRING | 1.04 |
| 18 | 027-213-161 | 1 | BUSH | 2.09 | 41 | 027-213-130 | 1 | SHAFT | 1.03 |
| 20 | 020-213-453 | 1 | HAND GUARD ASSY | 11.96 | 42 | 027-213-140 | 1 | SHAFT | 1.03 |
| 21 | 027-213-221 | 1 | DISENGAGING LEVER | 4.10 | 43 | 923-208-003 | 2 | HEXAGONAL NUT M8 | 0.51 |
| 24 | 027-213-270 | 1 | SPRING | 1.04 | 55 | 027-213-500 | 1 | SHOULDER NUT | 2.09 |
| 25 | 915-505-164 | 1 | SELF-CUTTING SCREW | 0.20 | 56 | 027-213-510 | 1 | RING | 1.52 |
| 25a | 908-005-205 | 1 | SCREW M5X20 | 1.04 | 57 | 027-213-520 | 1 | HEX.HEAD SCREW 5X20 | 1.04 |
| 27 | 900-004-354 | 1 | DISK | 0.51 | | | | | |



540

NO. MAHOB- 23-95

TECHNICAL INFORMATION BULLETIN

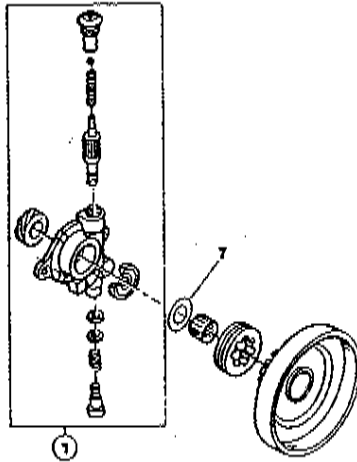
DATE 3-9-95

| | | | |
|---|----------------------|------------------|---------------------------|
| RE: DCS430, DCS520i, DCS5200i OIL PUMP | ITEM MASTER 85-95 | MA-ASC- 15-95 | MJ REFERENCE NO. 07-94 |
|---|----------------------|------------------|---------------------------|

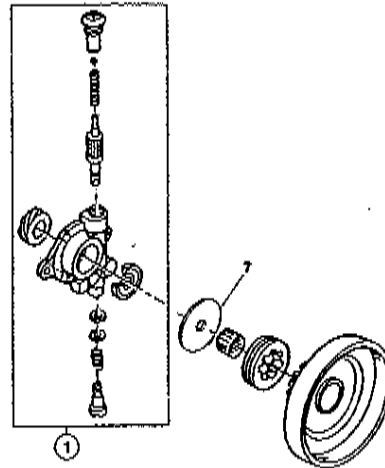
SERVICE CHANGE

Change on oil pump.

TYPE 1



TYPE 2



| FIG. | DESCRIPTION | TYPE 1 | TYPE 2 |
|------|---------------|-------------------------------------|---|
| 1 | Oil Pump | Part #027-245-110 (Discontinued) | Part #027-245-111 Include Stopping Disc Part #001-245-350 |
| 7 | Stopping Disk | Part #020-224-120 | _____ |

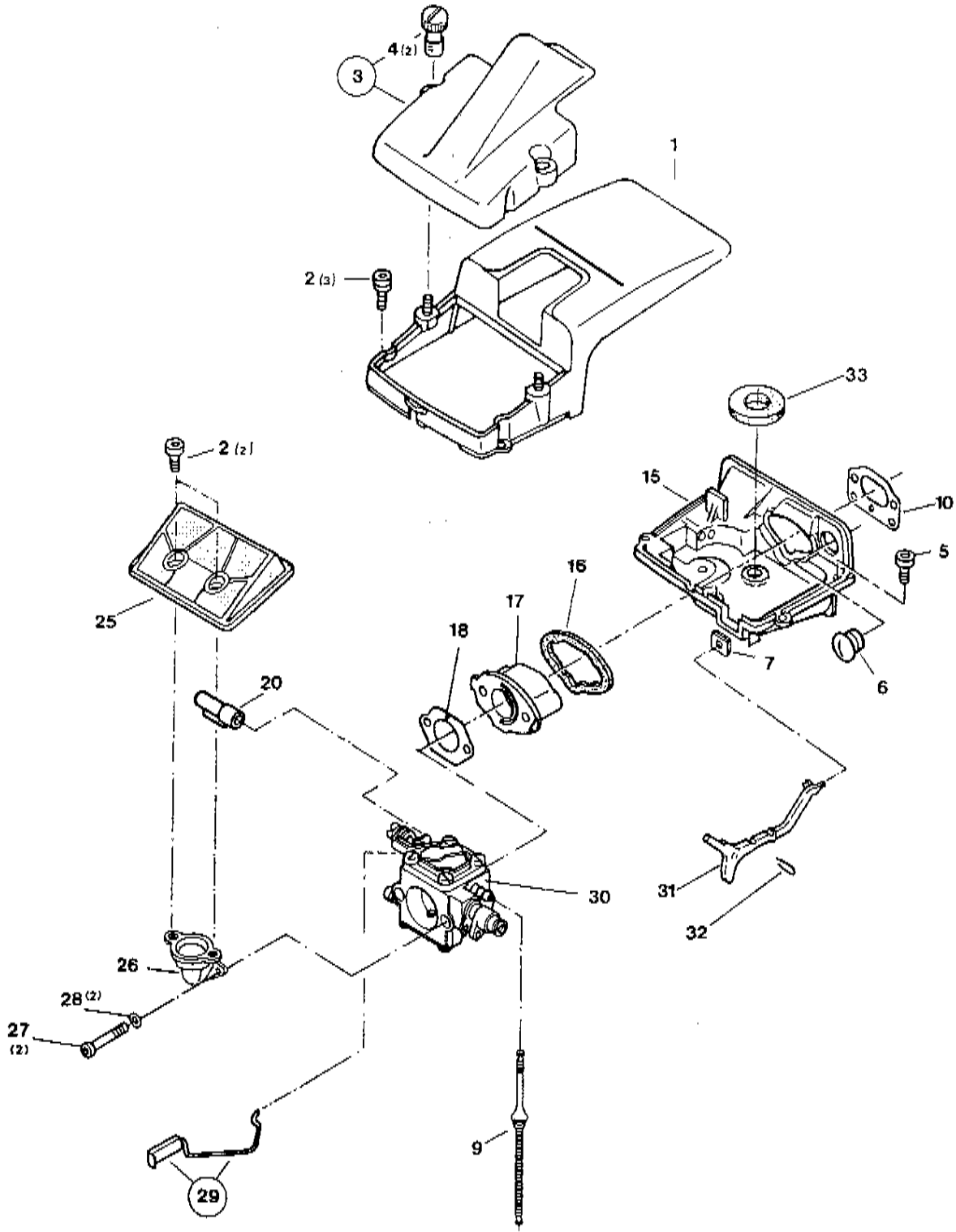
The above parts are completely interchangeable as a set.

NEW PARTS LIST

| | | |
|-------------------|---------------|---------|
| Part #001-245-350 | Stopping Disk | \$ 2.00 |
| Part #027-245-111 | Oil Pump | \$34.00 |

Please check your stock type 2 parts may be mixed in type 1 parts bin, then add above to your next order.

5) Hood, Air Filter, Intake System Pieces



| Fig. | Part No. | Qty. Used | Description | List | Fig. | Part No. | Qty. Used | Description | List |
|------|-------------|-----------|--------------------------------------|-------|------|-------------|-----------|-----------------------|-------|
| 1 | 027-118-182 | 1 | HOOD CPL (BLACK), WITH FIG.29 PAGE 5 | 22.05 | 17 | 020-131-041 | 1 | INTERMEDIATE FLANGE | 2.40 |
| 2 | 908-305-145 | 2 | SCREW M5X14 | 1.04 | 18 | 965-524-021 | 1 | GASKET | 1.56 |
| 2a | 908-005-165 | 3 | SCREW M5X16 | 1.04 | 20 | 020-118-030 | 1 | GUIDE PIECE | 1.04 |
| 3 | 020-118-121 | 1 | FILTER COVER (BLACK) | 7.86 | 25 | 020-173-300 | 1 | AIR FILTER CPL. | 12.08 |
| 4 | 001-118-062 | 2 | NUT | 2.09 | 26 | 020-171-100 | 1 | CONNECTING MUFF | 2.54 |
| 5 | 908-005-085 | 1 | SCREW M5X8 | 1.04 | 27 | 905-105-658 | 2 | SCREW M5X65 | 1.04 |
| 6 | 965-404-230 | 1 | PLUG(CARB. HEATING) | 0.51 | 28 | 924-105-300 | 2 | WASHER 5.3 | 0.20 |
| 7 | 965-404-410 | 1 | RUBBER BUSH | 1.04 | 29 | 020-117-280 | 1 | THROTTLE LINKAGE CPL. | 3.90 |
| 9 | 965-404-460 | 1 | FUEL LINE | 3.53 | 30 | 027-009-010 | 1 | CARBURETOR CPL. | 48.72 |
| 10 | 965-525-031 | 1 | GASKET | 0.73 | 31 | 027-150-880 | 1 | CHOKE LEVER | 2.09 |
| 15 | 027-118-053 | 1 | BOTTOM | 8.04 | 32 | 027-150-900 | 1 | CRAMP | 0.51 |
| 16 | 965-404-341 | 1 | GASKET | 1.04 | 33 | 030-404-460 | 1 | GASKET | 1.04 |



NO. MAHOB- 39-95

TECHNICAL INFORMATION BULLETIN

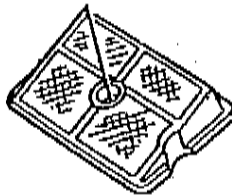
DATE 3-24-95

| | | | | |
|----------------------------------|-------------|-----------------------|------------------|-----------------------|
| RE: DCS430, DCS520i, DCS5200i | Snow Filter | ITEM MASTER 105-95 | MA-ASC- 25-95 | REFERENCE NO. 8/94 |
|----------------------------------|-------------|-----------------------|------------------|-----------------------|

SERVICE CHANGE

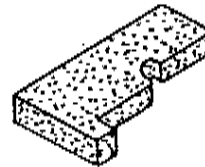
Change on snow filter.

TYPE 1



Part #020-173-150
Snow Filter
(Discontinued)

TYPE 2



Part #957-112-160
Snow Filter

NEW PARTS LIST PRICE

Part #957-112-160 Snow Filter \$4.00

Please check your stock Type 2 parts may be mixed in Type 1 parts bin; then add new parts on your next order.



NO. MAHOB-17-95

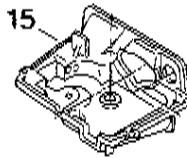
TECHNICAL INFORMATION BULLETIN

DATE 3-6-95

| | | | |
|---|----------------------|------------------|---------------------------------|
| RE: MANY MODELS, PART NUMBER CHANGE | ITEM MASTER 75-95 | MA-ASC- 10-95 | REFERENCE NO. 96196(C081088) |
|---|----------------------|------------------|---------------------------------|

PART NUMBER CHANGE

- 1) Bottom DCS430, DCS520i



P.6-FIG.15 PART# 027-118-053 -----> PART# 027-118-054

- 2) Fillister Screw DCS430, DCS520i



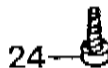
P.2-FIG.48 PART# 908-005-085 -----> PART# 908-005-095

- 3) Fillister Screw DCS430, DCS520i, DCS5200i, DCS9000



P.6-FIG.2 PART# 908-305-145 -----> PART# 908-605-145

- 4) Fillister Screw DCS430, DCS520i



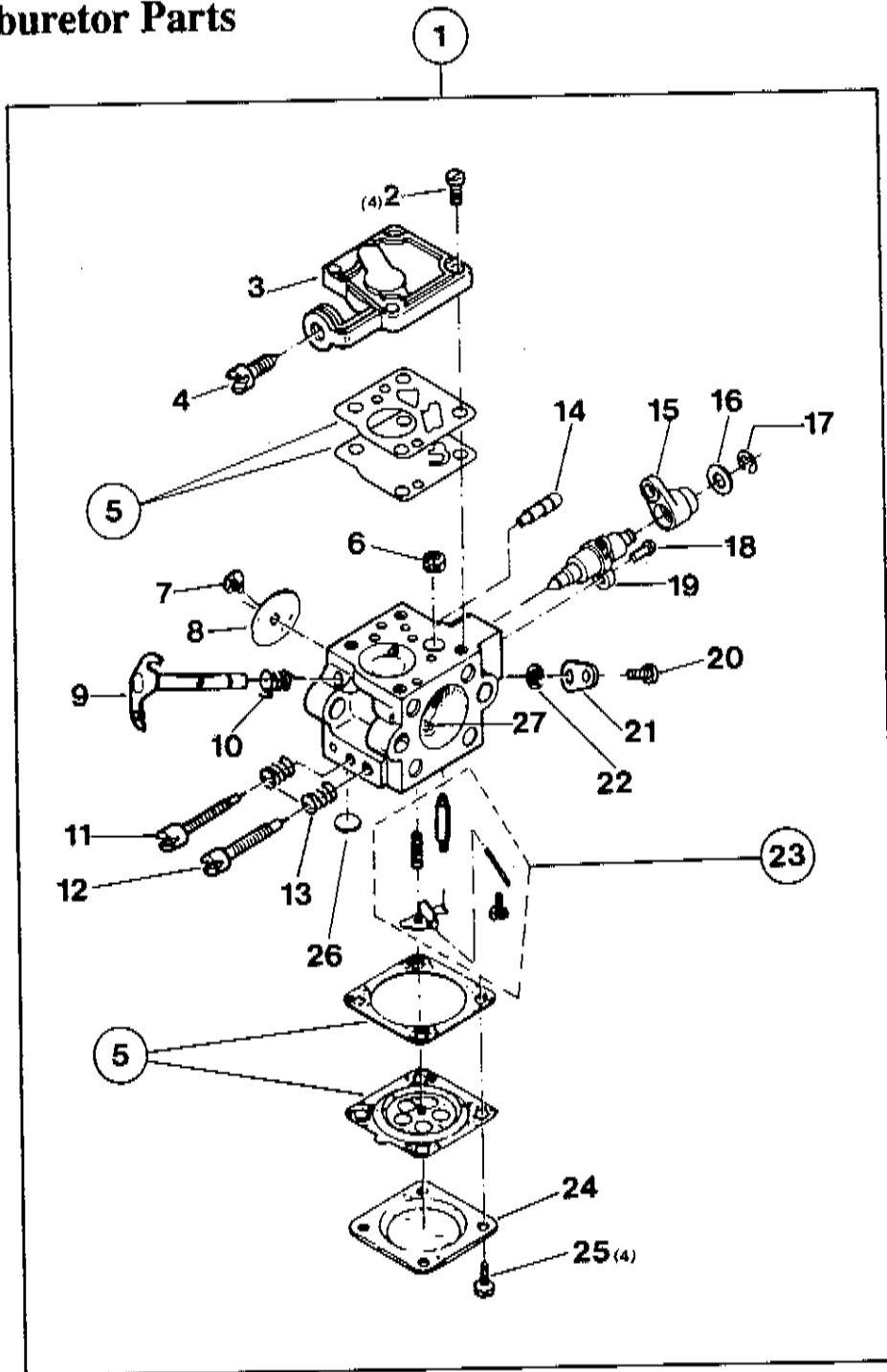
P.3-FIG.24 PART# 913-455-134 -----> PART# 913-455-164

- 5) Spring DCS430, DCS520i



P.4-FIG.16 PART# 027-166-071 -----> PART# 108-166-021

6) Carburetor Parts



| Fig. | Part No. | Qty. Used | Description | List | Fig. | Part No. | Qty. Used | Description | List |
|------|-------------|-----------|----------------------------|-------|------|-------------|-----------|------------------------|-------|
| 1 | 027-009-010 | 1 | CARBURETOR CPL. | 48.72 | 15 | 027-150-860 | 1 | LEVER | 2.09 |
| 2 | 020-150-170 | 4 | FILLISTER HEAD SCREW | 1.04 | 16 | 001-150-670 | 1 | WASHER | 0.73 |
| 3 | 020-150-160 | 1 | PUMP COVER | 2.76 | 17 | 119-150-350 | 1 | SNAP RING | 1.04 |
| 4 | 020-150-240 | 1 | IDLE STOP SCREW (S) | 2.76 | 18 | 113-150-220 | 1 | SCREW | 1.04 |
| 5 | 957-150-140 | 1 | SET GASKETS | 16.06 | 19 | 001-150-660 | 1 | CHOKE NEEDLE | 12.12 |
| 6 | 144-150-050 | 1 | SCREEN | 0.51 | 20 | 001-150-680 | 1 | SCREW | 1.04 |
| 7 | 001-150-650 | 1 | SHUTTER SCREW | 2.09 | 21 | 020-150-330 | 1 | LEVER | 1.04 |
| 8 | 001-150-321 | 1 | THROTTLE SHUTTER | 1.04 | 22 | 100-150-350 | 1 | SAFETY WASHER | 1.04 |
| 9 | 001-150-610 | 1 | THROTTLE SHAFT LEVER | 12.59 | 23 | 957-150-150 | 1 | CONTROL PARTS CPL(SET) | 10.64 |
| 10 | 020-150-310 | 1 | SPRING | 2.09 | 24 | 104-150-120 | 1 | DIAPHRAGM COVER | 1.62 |
| 11 | 020-150-470 | 1 | IDLING ADJUSTMENT SCREW(L) | 4.22 | 25 | 001-150-620 | 4 | SCREW | 1.04 |
| 12 | 020-150-520 | 1 | MAIN ADJ. SCREW (H) | 4.20 | 26 | 100-150-040 | 1 | COVER DISK | 1.04 |
| 13 | 001-150-480 | 2 | SPRING-H | 1.04 | 27 | 020-150-130 | 1 | MAIN NOZZLE | 11.17 |
| 14 | 020-150-051 | 1 | CONECTING FITTING | 6.62 | | | | | |



MA-ASC- 20-95

AUTHORIZED SERVICE CENTER BULLETIN

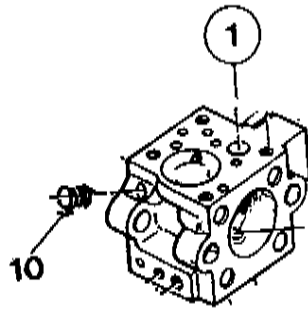
DATE 03-20-95

RE: DCS5200i Carburetor

MAHOB
30-95

SERVICE CHANGE

Change on Carburetor.



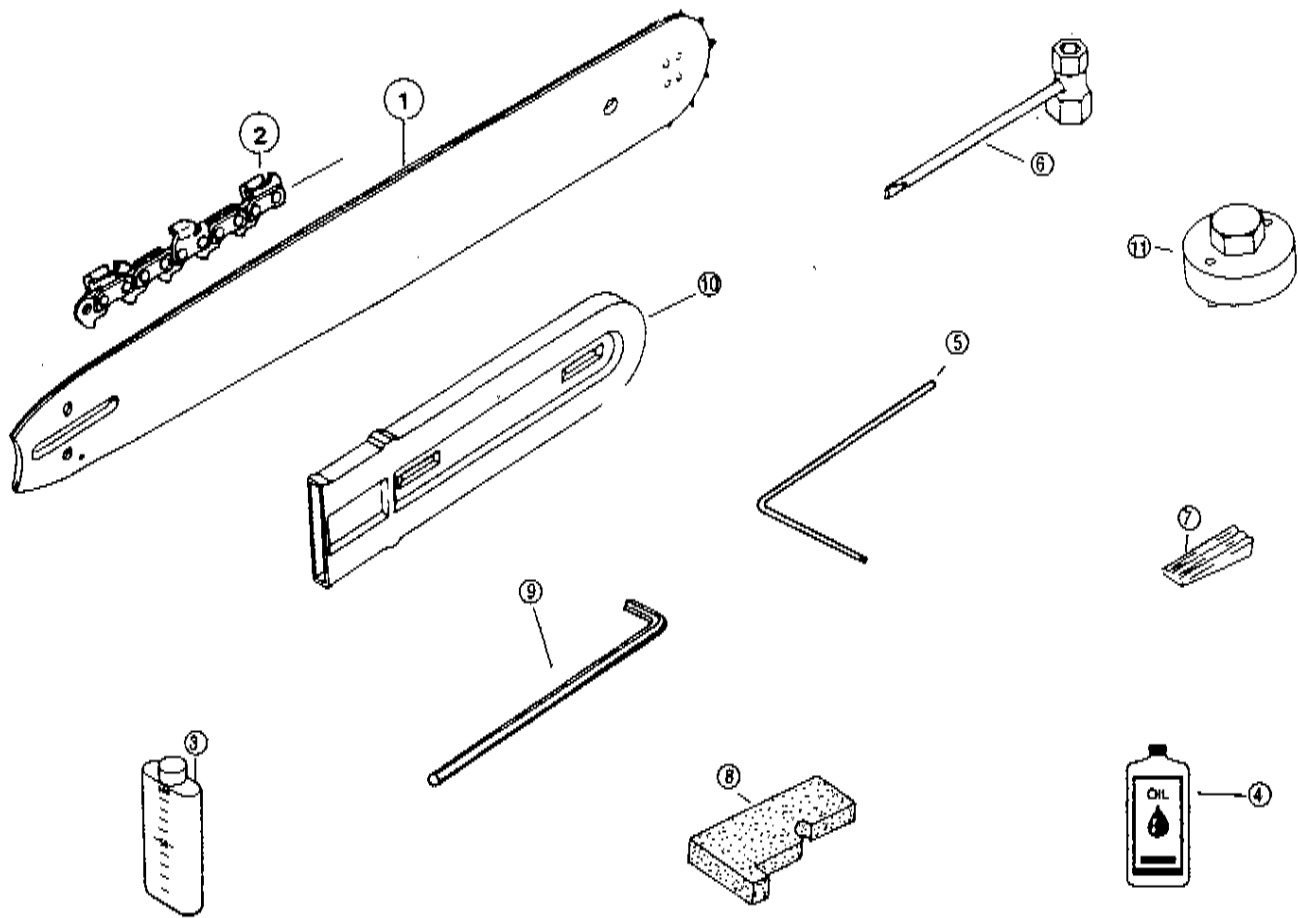
| Fig. | Description | Type 1 | Type 2 |
|------|----------------|------------------------------|------------------------------|
| 1 | Carburetor | Part #027-009-010 (HU83C) | Part #027-150-003 (HU83D) |
| 10 | Torsion Spring | Part #020-150-310 | Part #957-150-310 w/bush |

The above parts are interchangeable as a set, exceptst Type 2 Torsion Spring replaces Type 1 Torsion Spring.

NEW PARTS LIST PRICE

| | | |
|-------------------|------------------------|----------|
| Part #027-150-003 | Carburetor Cpl., HU83D | \$ 68.00 |
| Part #957-150-310 | Torsion Spring | 3.00 |

7) Accessories



| Fig. | Part No. | Qty. Used | Description | List | Fig. | Part No. | Qty. Used | Description | List |
|--------------------|-------------|-----------|---------------------|-------|------|-------------|-----------|---------------------------|-------|
| ACCESSORIES | | | | | 6 | 941-719-131 | 1 | UNIVERSAL WRENCH | 6.00 |
| 1 | 443-045-661 | 1 | 18" GUIDE BAR, 3/8" | 42.00 | 7 | 944-602-000 | 1 | PISTON STOP WEDGE | 3.00 |
| 2 | 523-102-064 | 1 | 18" SAW CHAIN, 3/8" | 18.35 | 8 | 020-173-150 | 1 | SNOW FILTER | 10.00 |
| 3 | 181116-A | 1 | BAR OIL | 4.50 | 9 | 940-804-000 | 1 | HEX WRENCH 4MM | 2.00 |
| 4 | 181115-A | 1 | FUEL MIXING OIL | 1.00 | 10 | 952-100-332 | 1 | CHAIN PROTECTION COVER | 6.00 |
| 5 | 940-827-000 | 1 | WRENCH TORX | 3.00 | 11 | 944-500-690 | 1 | SPECIAL SPANNER F. CLUTCH | 18.85 |

B MODEL DCS520I

04-92