



DCS46018

DCS51018

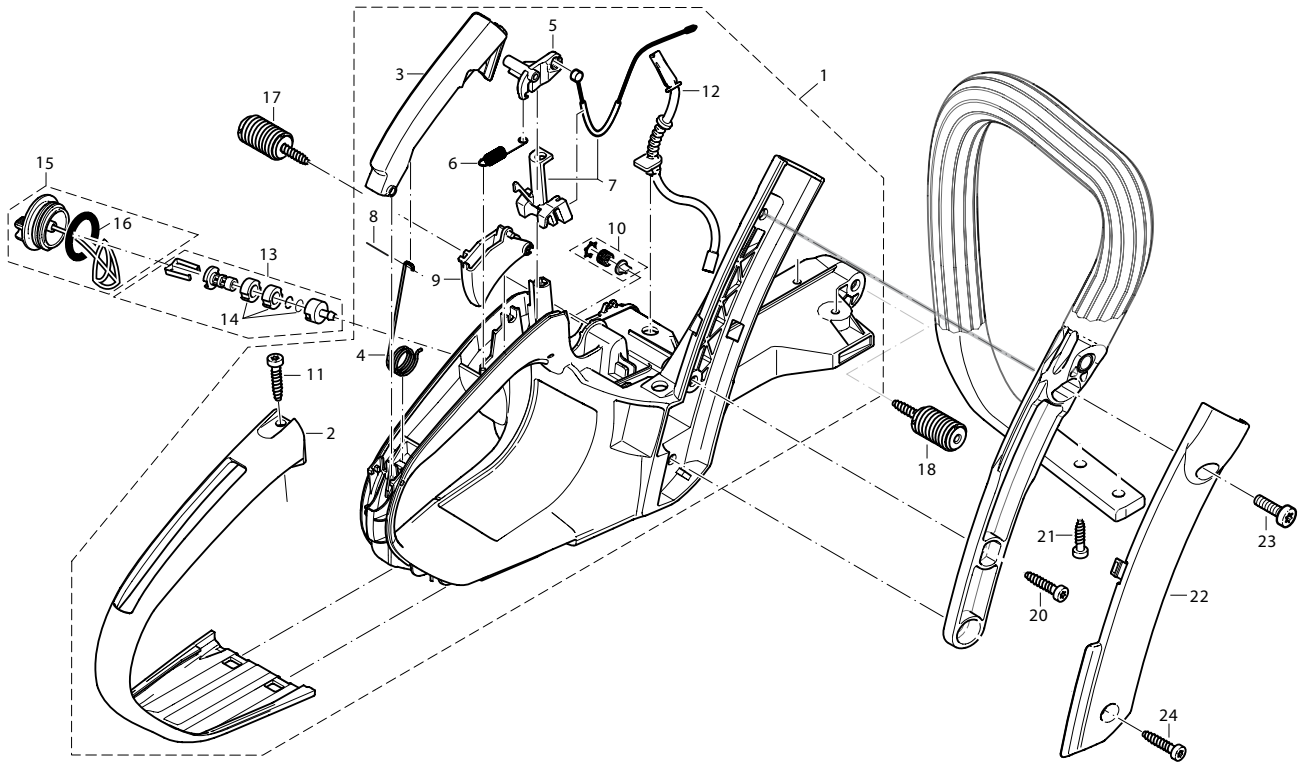
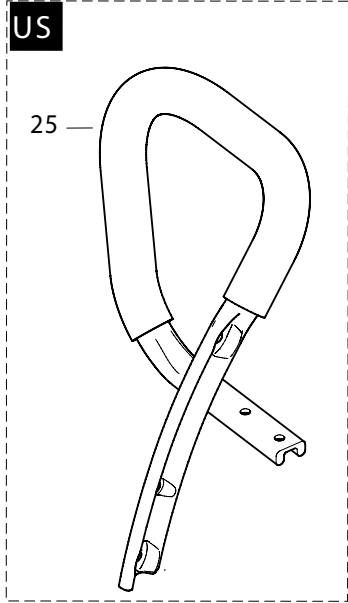
DCS51020

DCS46018

DCS51018
DCS51020

1

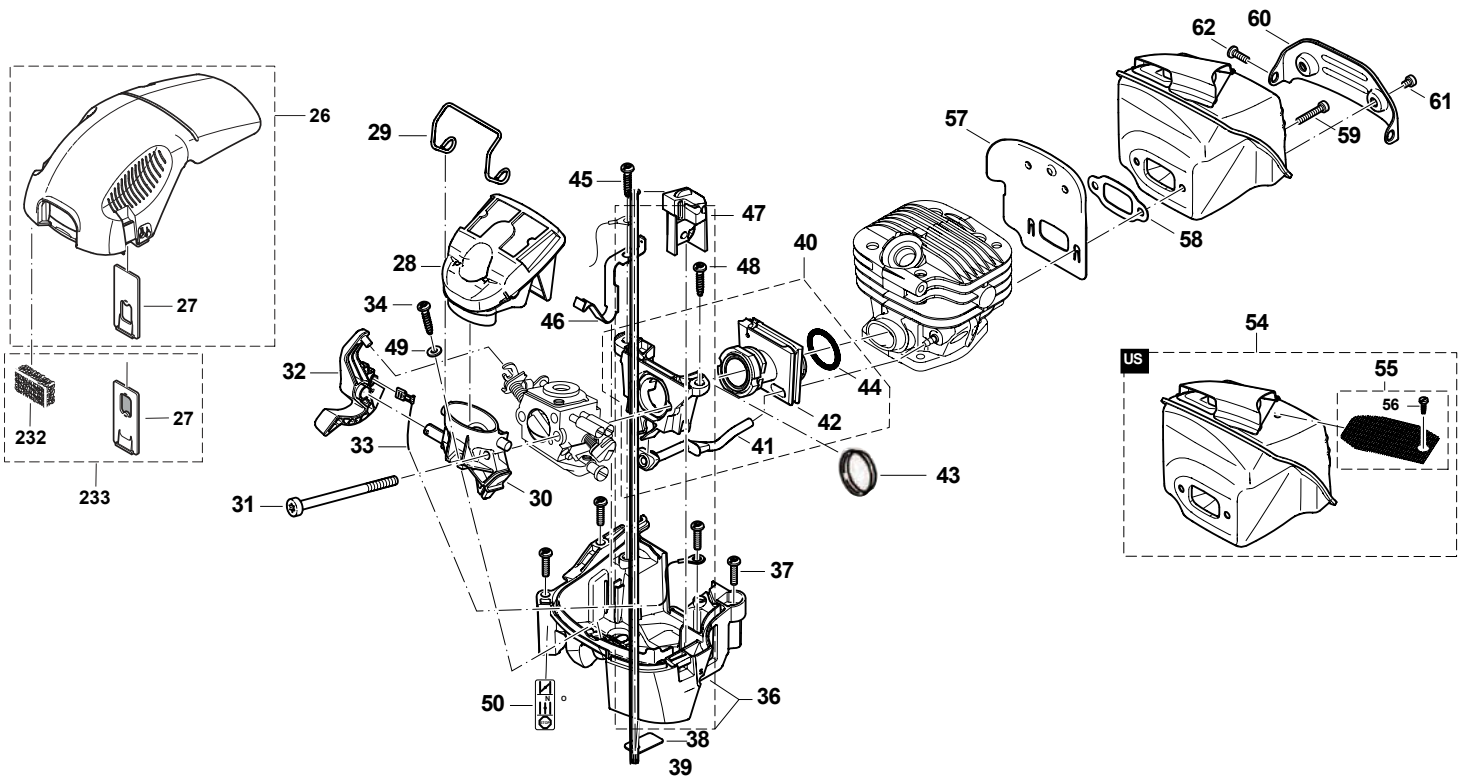
Tank, Handle



Products with multiple versions are listed in subsiding order with the newest version on top not indented.

Corresponding bulletins are attached. Select bulletin name or attachment to view.

Section	Fig. No.	Part No.	Description	DCS46018	DCS51018	DCS51020	Tech Bulletin	Notes
1	1	181-114-720	TANK CPL.,blue	1	1	1		
1	1	181-114-680	TANK CPL.,blue	1	1	1		
1	2	181-117-050	GRIP OUTER SHELL, black	1	1	1		
1	3	181-117-132	CATCH LEVER, DCS510	1	1	1		
1	3	181-117-131	CATCH LEVER	1	1	1		
1	4	181-117-031	SPRING	1	1	1		
1	5	181-117-081	ROCKER	1	1	1		
1	6	181-117-111	SPRING	1	1	1		
1	6	181-117-110	SPRING	1	1	1		
1	7	010-117-050	MODIFICATION SET (INCL. FIG. 30)	1	1	1		
1	8	935-930-240	CYLINDRICAL PIN 3X24	1	1	1	2007-07	WITH FIG NO 9
1	9	181-117-121	THROTTLE LEVER	1	1	1	2007-07	REQUIRES FIG NO 8
1	9	181-117-120	THROTTLE LEVER	1	1	1		
1	10	957-114-061	AIR VALVE CPL, DCS6401	1	1	1	2008-04	YES
1	10	957-114-060	AIR VALVE CPL.	1	1	1		
1	11	913-455-204	SCREW 5, 5X20	1	1	1		
1	12	181-114-064	FUEL LINE, DCS510	1	1	1	2008-02	YES
1	12	181-114-062	FUEL LINE	1	1	1		
1	13	010-114-010	SUCTION HEAD	1	1	1		
1	14	010-114-020	FILTER (5 OF EACH)	1	1	1		
1	15	181-114-202	FUEL TANK CAP CPL	1	1	1	2007-07	YES
1	15	181-114-201	TANK CAP CPL., Fuel	1	1	1		
1	16	963-229-036	PACKING RING 29, 3X3, 6	1	1	1		
1	17	181-114-301	SPRING CPL.	1	1	1		
1	17	181-114-300	SPRING CPL.	1	1	1		
1	18	181-114-301	SPRING CPL.	1	1	1		
1	18	181-114-300	SPRING CPL.	1	1	1		
1	20	913-455-204	SCREW 5, 5X20	1	1	1		
1	21	913-455-164	SCREW 5, 5X16	2	2	2		
1	22	181-114-650	COVER	1	1	1		
1	23	908-006-205	SCREW 6X20	1	1	1		
1	24	913-455-204	SCREW 5, 5x20	1	1	1		
1	25	181-310-250	TUBULAR HANDLE	1	1	1		



Products with multiple versions are listed in subsiding order with the newest version on top not indented.

Corresponding bulletins are attached. Select bulletin name or attachment to view.

Section	Fig. No.	Part No.	Description	DCS46018	DCS51018	DCS51020	Tech Bulletin	Notes
2	26	181-118-601	HOOD, DCS510	1	1	1		
2	26	181-118-600	HOOD CPL., grey	1	1	1		
2	27	181-118-060	INSERT	1	1	1		
2	28	181-173-190	AIR FILTER CPL.	1	1	1	2009-17	YES
2	28	181-173-100	AIR FILTER CPL.	1	1	1		
2	28	181-173-090	AIR FILTER CPL., nylon	1	1	1	2009-17	YES
2	28	181-173-010	AIR FILTER CPL., nylon	1	1	1		
2	28	181-173-180	AIR FILTER ASS'Y	1	1	1		
2	28	181-173-240	AIR FILTER CPL.,fine	1	1	1	2009-17	YES
2	29	181-171-050	CLIP for AIR FILTER	1	1	1		
2	30	010-117-050	MODIFICATION SET (INCL. FIG. 7)	1	1	1		
2	31	908-505-555	SCREW 5X55	2	2	2		
2	32	181-155-070	CHOKE ON/OFF SWITCH	1	1	1	2010-01	2010 PRODUCTION
2	32	181-155-020	CHOKE ON/OFF SWITCH	1	1	1		
2	33	970-311-580	EARTH CABLE	1	1	1	2010-01	2010 PRODUCTION
2	33	970-311-550	EARTH CABLE	1	1	1		
2	34	913-455-164	SCREW 5, 5X16	1	1	1		
2	36	181-131-601	BOTTOM BLUE	1	1	1		
2	37	908-805-205	SCREW 5X20	4	4	4	2007-18	APRIL 2007
2	37	908-905-205	SCREW 5X20	4	4	4		
2	38	038-118-110	RUBBER FLAP	1	1	1		
2	39	938-650-062	RIVET	1	1	1		
2	40	181-171-150	FLANGE CPL.	1	1	1		
2	41	181-131-090	TUBE	1	1	1		
2	42	181-131-040	SUCTION HOSE	1	1	1		
2	43	181-131-021	INSERT FOR SUCTION HOSE	1	1	1		YES
2	43	181-131-020	INSERT FOR SUCTION HOSE	1	1	1		NOV 2006
2	44	181-131-070	ANNULAR SPRING	1	1	1		
2	45	913-455-164	SCREW 5, 5X16	1	1	1		
2	46	181-155-011	CONTACT SPRING	1	1	1	2010-01	2010 PRODUCTION
2	46	181-155-010	CONTACT SPRING	1	1	1		
2	47	181-155-030	ADJUSTING GUIDE	1	1	1		
2	48	913-455-164	SCREW 5, 5X16	1	1	1		
2	49	928-405-000	SPRING WASHER	1	1	1		
2	50	980-114-928	LABEL	1	1	1		

Products with multiple versions are listed in subsiding order with the newest version on top not indented.

Corresponding bulletins are attached. Select bulletin name or attachment to view.

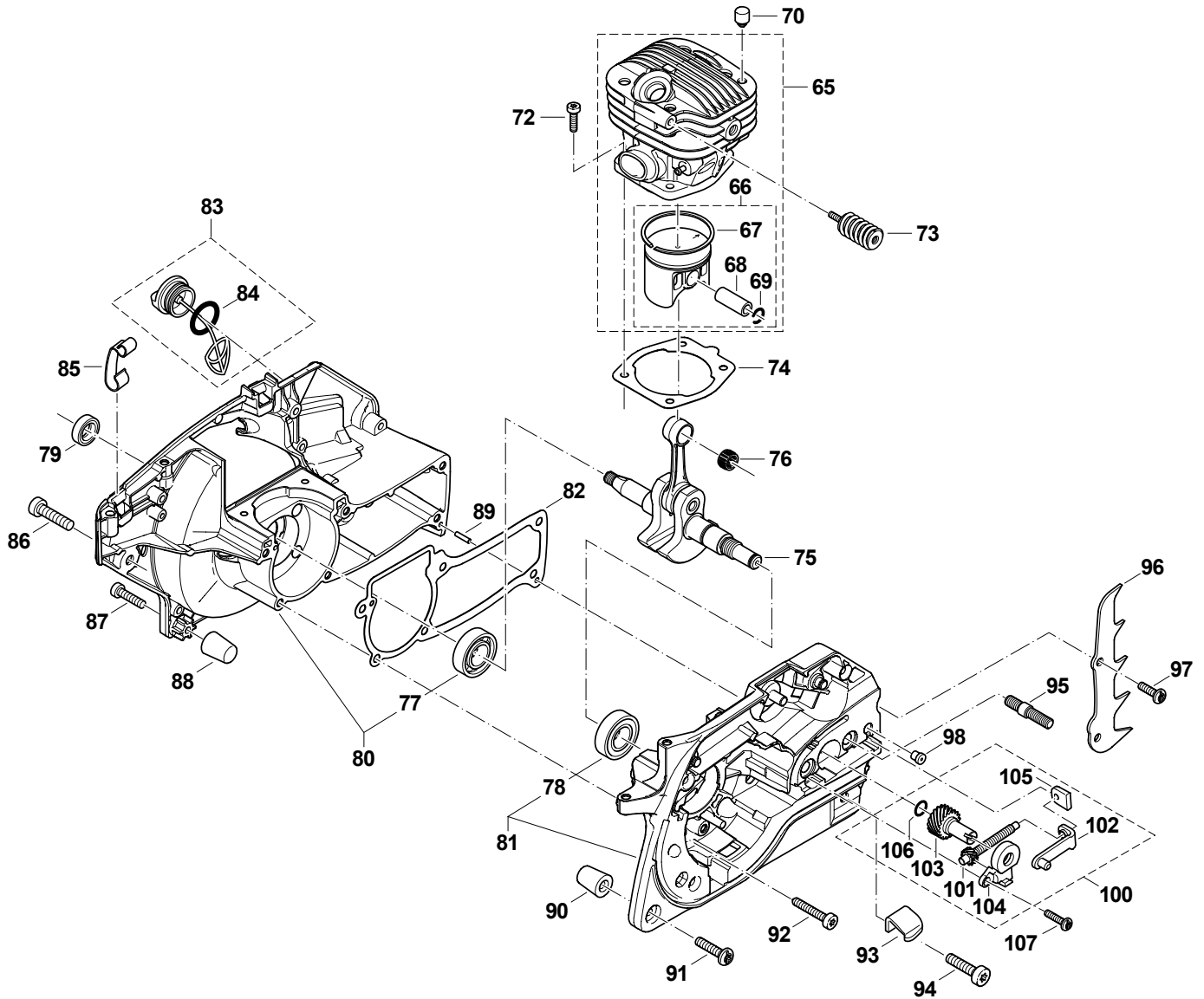
Section	Fig. No.	Part No.	Description	DCS46018	DCS51018	DCS51020	Tech Bulletin	Notes
2	54	181-174-201	MUFFLER, US	1	1	1	2007-08	YES
2	54	181-174-200	MUFFLER, US	1	1	1		
2	55	181-174-250	SPARK ARRESTOR SCREEN CPL.	1	1	1		
2	56	915-035-140	SCREW 3,5	1	1	1		
2	57	181-174-061	COVER PLATE	1	1	1		
2	58	181-174-050	GASKET	1	1	1		
2	59	908-905-205	SCREW 5X20	2	2	2		
2	60	181-174-091	PROTECTION COVER	1	1	1	2007-08	YES
2	60	181-174-090	SHEET-METAL	1	1	1		
2	61	908-005-095	SCREW M5X9	2	2	2		
2	62	908-805-205	SCREW 5X20	1	1	1	2007-18	APRIL 2007
2	62	908-905-165	SCREW 5X16	1	1	1		
2	233	957-173-250	SNOW SET, DCS510	1	1	1	2005-18	YES

DCS46018

DCS51018
DCS51020

3

Cylinder, Piston, Crank Case



Products with multiple versions are listed in subsiding order with the newest version on top not indented.

Corresponding bulletins are attached. Select bulletin name or attachment to view.

Section	Fig. No.	Part No.	Description	DCS46018	DCS51018	DCS51020	Tech Bulletin	Notes
3	65	178-130-214	CYLINDER/PISTON CPL., DCS460	1				DCS46018
3	65	178-130-213	CYLINDER/PISTON CPL., DCS460	1				DCS46018
3	65	179-130-215	CYLINDER/PISTON CPL., DCS510		1	1		DCS51018, DCS51020
3	65	179-130-214	CYLINDER/PISTON CPL., DCS510		1	1		DCS51018, DCS51020
3	66	180-132-060	PISTON CPL., DCS460	1				DCS46018
3	66	181-132-060	PISTON CPL., DCS510		1	1		DCS51018, DCS51020
3	67	180-132-080	PISTON RING, DCS460	1				DCS46018
3	67	181-132-080	PISTON RING, DCS510		1	1		DCS51018, DCS51020
3	68	181-132-040	PISTON PIN	1	1	1		
3	69	181-132-050	SPRING RING 12X1	2	2	2		
3	70	424173-9	DAMPING PLUG	2	2	2		
3	70	181-118-070	DAMPING PLUG	2	2	2		
3	72	908-805-235	SCREW W/SPRING WASHER, DPC7331	4	4	4	2008-12	YES
3	72	908-405-205	SCREW M5X20	4	4	4		
3	73	181-114-400	DAMPING SPRING CPL.	1	1	1		
3	74	181-131-132	CYLINDER GASKET FIBRE	1	1	1	2010-07	AS SEW W/ FIG NO 65
3	74	181-131-131	GASKET, DCS510	1	1	1		
3	74	181-131-130	GASKET	1	1	1		
3	75	181-120-100	CRANKSHAFT CPL.,DCS460	1	1	1		
3	76	962-210-033	NEEDLE CAGE, DCS510	1	1	1		
3	76	962-210-030	NEEDLE CAGE 10X13X13,5	1	1	1		
3	77	960-102-152	BALL BEARING 6202	1	1	1		
3	77	960-102-159	BALL BEARING 6202	1	1	1		
3	78	960-123-159	COMBO. BALL BEARING 6202 C3	1	1	1		
3	79	962-900-156	RADIAL RING	1	1	1		
3	79	962-900-056	RADIAL RING	1	1	1		
3	80	179-111-653	CRANKCASE WITH SCREW SET	1	1	1	2009-06	YES
3	80	179-111-650	CRANKCASE M. SIDE BLUE	1	1	1		
3	81	179-111-641	CRANKCASE WITH SCREW SET	1	1	1	2007-18	YES
3	81	179-111-640	CRANKCASE CL. SIDE BLUE	1	1	1		
3	82	181-111-060	GASKET	1	1	1		
3	83	170-114-100	TANK CAP CPL.	1	1	1		
3	83	170-114-061	TANK CAP CPL.	1	1	1		
3	84	963-225-030	PACKING RING	1	1	1		

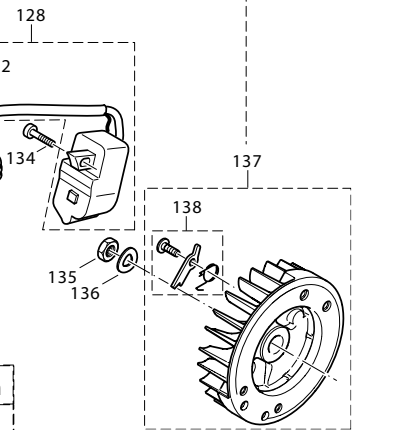
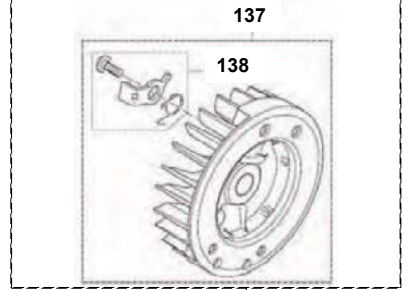
Products with multiple versions are listed in subsiding order with the newest version on top not indented.

Corresponding bulletins are attached. Select bulletin name or attachment to view.

Section	Fig. No.	Part No.	Description	DCS46018	DCS51018	DCS51020	Tech Bulletin	Notes
3	85	181-118-050	STEEL CLIP	3	3	3		
3	86	908-006-205	SCREW 6X20	1	1	1		
3	87	908-805-205	SCREW 5X20	1	1	1	2007-18	APRIL 2007
3	87	908-905-205	SCREW 5X20	1	1	1		
3	88	181-111-230	IMPACT PROTECTION	1	1	1		
3	89	936-430-160	SPIRAL CLAMPING PIN 3X16	2	2	2		
3	90	181-111-230	IMPACT PROTECTION	1	1	1		
3	91	908-805-205	SCREW 5X20	1	1	1	2007-18	APRIL 2007
3	91	908-905-205	SCREW 5X20	1	1	1		
3	92	908-005-205	SCREW 5X20, DCS510	6	6	6	2007-18	APRIL 2007
3	92	908-905-205	SCREW 5X20	6	6	6		
3	93	181-111-050	CHAIN CATCH	1	1	1		
3	94	908-006-205	F.H.SCREW, DCS6800I	1	1	1		
3	95	905-808-215	SCREW M8X21	2	2	2		
3	96	181-250-011	SPIKE BAR	1	1	1		
3	97	908-805-205	SCREW 5X20	2	2	2	2007-18	APRIL 2007
3	97	908-905-165	SCREW 5X16	2	2	2		
3	98	168504-9	VENT VALVE	1	1	1		
3	98	010-245-030	VENT VALVE	1	1	1		
3	100	181-213-300	CHAIN TENSIONER CPL.	1	1	1		
3	101	181-213-230	TENSIONING SCREW	1	1	1		
3	102	181-213-240	TENSION SLIDE	1	1	1		
3	103	181-213-250	ADJUSTING SCREW	1	1	1		
3	104	181-213-270	TRANSMISSION COVER	1	1	1		
3	105	181-213-260	TENSIONING SCREW BEARING	1	1	1		
3	106	963-207-020	O-RING 7X2	1	1	1		
3	107	908-705-125	CYLINDER SCREW M5X12	1	1	1	2007-18	APRIL 2007
3	107	908-905-165	SCREW 5X16	1	1	1		

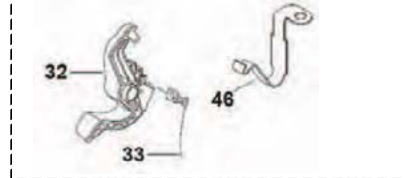
Tech Bulletin 2010-01

Easy Start - Implemented 2010 Production



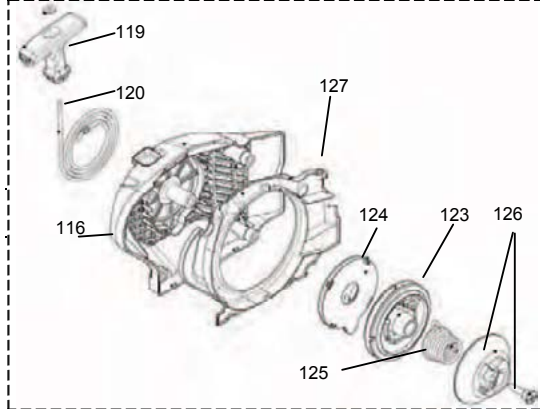
Tech Bulletin 2010-01

Easy Start - Implemented 2010 Production



Tech Bulletin 2010-01

Easy Start - Implemented 2010 Production



Products with multiple versions are listed in subsiding order with the newest version on top not indented.

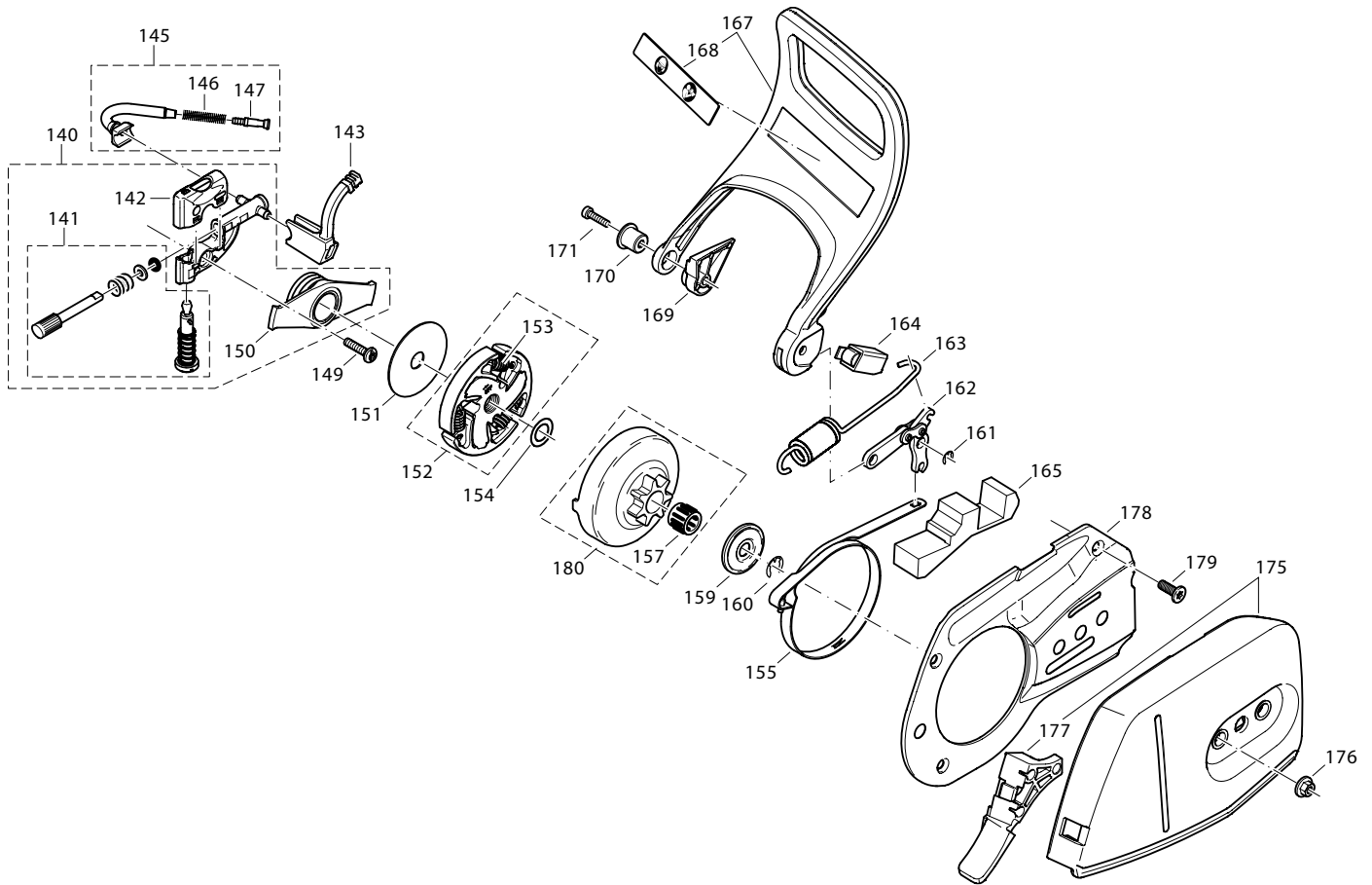
Corresponding bulletins are attached. Select bulletin name or attachment to view.

Section	Fig. No.	Part No.	Description	DCS46018	DCS51018	DCS51020	Tech Bulletin	Notes
4	115	181-160-655	STARTER ASS'Y	1	1	1	2010-01	2010 PRODUCTION
4	115	181-160-650	STARTER ASS'Y, blue	1	1	1		
4	116	181-112-660	STARTER HOUSING BLUE	1	1	1	2010-01	2010 PRODUCTION
4	116	181-112-611	FAN HOUSING, blue	1	1	1		
4	117	980-115-224	LABEL	1	1	1		
4	118	908-805-205	SCREW 5X20	4	4	4	2007-18	APRIL 2007
4	118	908-905-205	SCREW 5X20	4	4	4		
4	119	181-164-010	STARTER GRIP	1	1	1	2010-01	YES
4	119	001-161-020	STARTER GRIP	1	1	1		
4	120	181-164-020	STARTER ROPE	1	1	1	2010-01	2010 PRODUCTION
4	120	108-164-020	STARTER ROPE (980MM)	1	1	1		
4	121	985-000-155	STARTER ROPE (100M)	1	1	1		
4	122	928-405-000	SPRING WASHER	1	1	1		
4	123	181-162-020	CABLE DRUM CPL.	1	1	1	2010-01	2010 PRODUCTION
4	123	181-162-150	CABLE DRUM CPL.	1	1	1		
4	124	181-163-050	REWIND SPRING, DPC7331	1	1	1	2010-01	
4	124	181-163-020	REWIND SPRING IN HSG.	1	1	1		
4	125	181-163-080	SPRING EASY-START	1	1	1	2010-01	2010 PRODUCTION
4	125	924-605-510	WASHER	1	1	1		
4	126	181-163-090	DRIVER INCLUDES SCREW 181-163-090	1	1	1	2010-01	2010 PRODUCTION
4	126	913-455-204	SCREW 5,5X20	1	1	1		
4	127	181-118-041	AIR GUIDE PLATE	1	1	1		
4	128	181-143-204	IGNITION COIL RED CPL., DCS510	1	1	1		
4	128	181-143-203	IGNITION COIL CPL.	1	1	1		
4	128	181-143-200	IGNITION COIL CPL.	1	1	1		
4	129	181-147-050	IGNITION CABLE	1	1	1		
4	131	970-502-110	INSULATING HOSE L=55MM	1	1	1		
4	132	957-604-260	PLUG CAP	1	1	1		
4	133	965-603-021	SPARK PLUG	1	1	1		
4	134	908-805-205	SCREW 5X20	2	2	2	2007-18	
4	134	908-905-205	SCREW 5X20	2	2	2		
4	135	920-308-024	HEXAGONAL NUT M8X1	1	1	1		
4	136	267822-3	SPRING WASHER	1	1	1		
4	136	926-208-001	SPRING WASHER	1	1	1		

Products with multiple versions are listed in subsiding order with the newest version on top not indented.

Corresponding bulletins are attached. Select bulletin name or attachment to view.

Section	Fig. No.	Part No.	Description	DCS46018	DCS51018	DCS51020	Tech Bulletin	Notes
4	137	185-141-100	FLYWHEEL CPL.	1	1	1	2014/23	
4	137	181-141-104	FLYWHEEL CPL., DCS510	1	1	1		
4	138	195-166-100	STARTER RATCHET CPL.	1	1	1	2010-01	2010 PRODUCTION
4	138	108-166-051	STARTER RATCHET CPL.	2	2	2		



Products with multiple versions are listed in subsiding order with the newest version on top not indented.

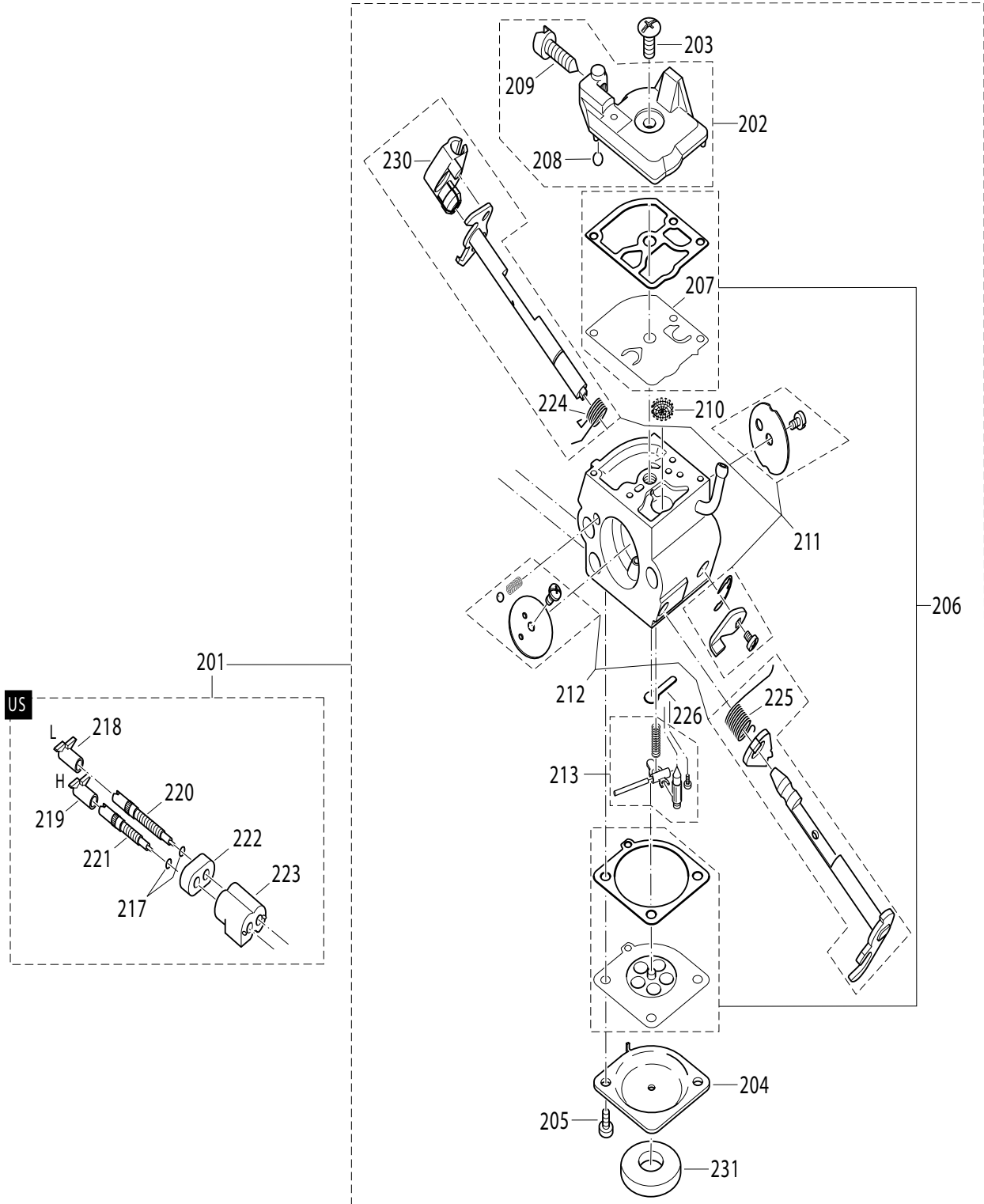
Corresponding bulletins are attached. Select bulletin name or attachment to view.

Section	Fig. No.	Part No.	Description	DCS46018	DCS51018	DCS51020	Tech Bulletin	Notes
5	140	181-245-251	OIL PUMP CPL.	1	1	1		
5	140	181-245-250	OIL PUMP CPL.	1	1	1		
5	141	181-245-260	REPAIR KIT, OIL PUMP	1	1	1		
5	142	181-245-140	OIL PUMP COVER	1	1	1		
5	143	181-245-120	OIL LINE	1	1	1		
5	145	181-245-100	OIL LINE CPL.	1	1	1		
5	146	231975-4	SPRING	1	1	1		
5	146	021-245-060	SPRING	1	1	1		
5	147	001-245-020	HOSE STEM	1	1	1		
5	149	908-705-125	CYLINDER SCREW M5X12	1	1	1	2007-18	APRIL 2007
5	149	908-905-165	SCREW 5X16	1	1	1		
5	150	181-245-090	PUMP DRIVE	1	1	1		
5	151	001-182-042	GUIDE DISC, DCS6401	1	1	1		
5	151	001-182-041	GUIDE DISC	1	1	1		
5	152	181-180-200	CLUTCH CPL., DCS510	1	1	1		
5	152	181-180-101	CLUTCH ASS'Y	1	1	1		
5	153	181-184-010	SPRING	3	3	3		
5	154	021-224-011	DISC, DCS340	1	1	1		
5	154	021-224-010	DISC	1	1	1		
5	155	181-213-011	BRAKE SPRING	1	1	1		
5	155	181-213-010	BRAKE SPRING	1	1	1		
5	157	962-300-009	NEEDLE SLEEVER 10/14X12	1	1	1		
5	159	181-224-081	DISC, DCS510	1	1	1		
5	159	181-224-080	DISC	1	1	1		
5	160	927-408-000	WASHER	1	1	1		
5	161	927-304-000	WASHER	1	1	1		
5	162	181-213-100	BRAKING MECHANISM	1	1	1		
5	163	181-213-023	TENSION SPRING	1	1	1		
5	163	181-213-350	SPRING	1	1	1		
5	164	181-213-170	HAND GUARD GUIDE CPL.	1	1	1		
5	165	181-213-371	FOAM SPONGE	1	1	1		
5	167	181-213-161	HAND GUARD CPL.	1	1	1		
5	167	181-213-160	HAND GUARD CPL.	1	1	1		
5	168	980-114-237	LABEL	1	1	1		

Products with multiple versions are listed in subsiding order with the newest version on top not indented.

Corresponding bulletins are attached. Select bulletin name or attachment to view.

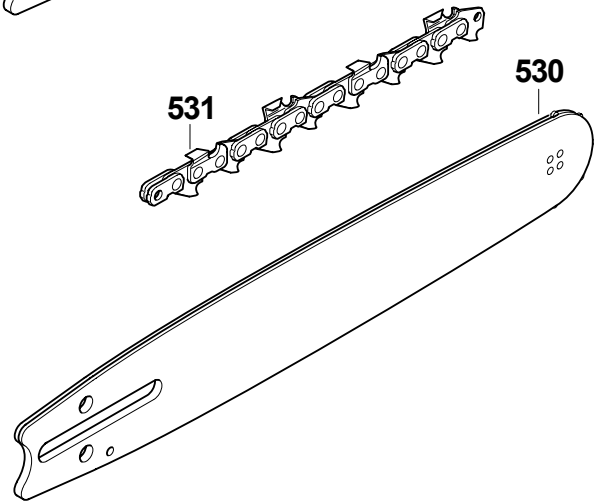
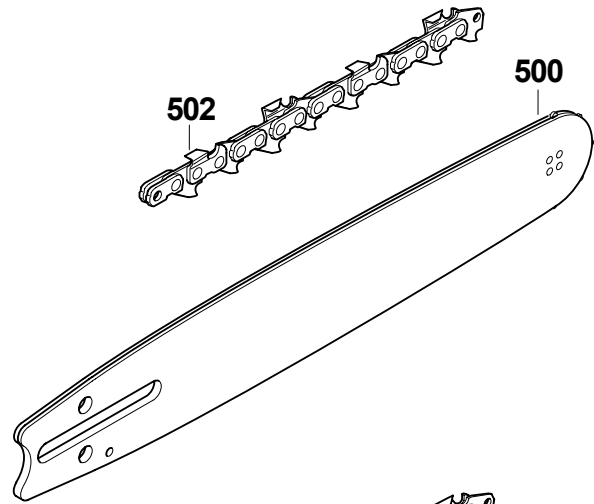
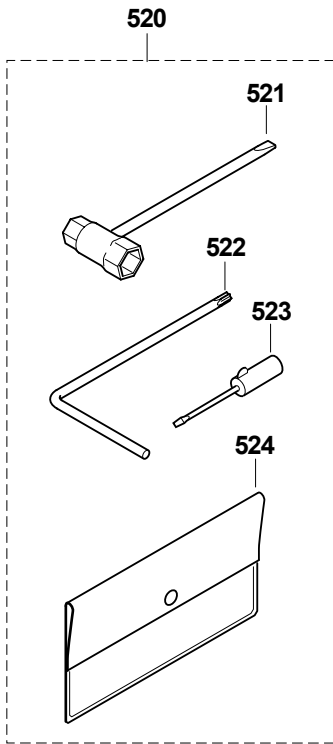
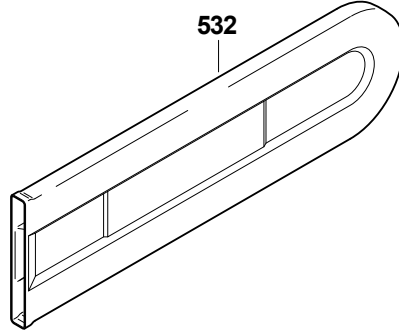
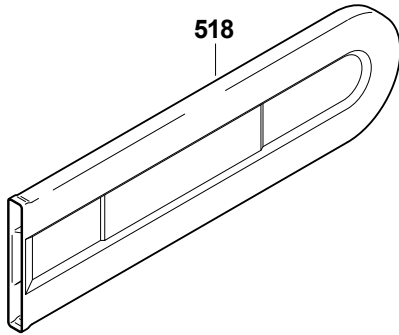
Section	Fig. No.	Part No.	Description	DCS46018	DCS51018	DCS51020	Tech Bulletin	Notes
5	169	181-213-310	SPACER	1	1	1		
5	170	181-213-320	BUSHING	1	1	1		
5	171	908-805-205	SCREW 5X20	1	1	1	2007-18	APRIL 2007
5	171	908-905-205	SCREW 5X20	1	1	1		
5	175	957-213-600	SPROCKET GUARD CPL., blue	1	1	1		
5	176	923-208-004	HEXAGONAL NUT M8	2	2	2		
5	177	957-213-220	CHIP GUIDE	1	1	1		
5	178	181-213-191	COVER	1	1	1		
5	178	181-213-190	COVER	1	1	1		
5	179	908-105-126	FLAT HEAD SCREW M5X12	3	3	3	2007-18	APRIL 2007
5	179	913-850-155	SCREW 5X15	3	3	3		
5	180	181-223-322	CLUTCH DRUM CPL., DCS510	1	1	1		
5	180	181-223-321	CLUTCH DRUM CPL., DCS510	1	1	1		
5	180	181-223-312	CLUTCH 325", Z=7	1	1	1		
5	180	181-223-311	CLUTCH 325", Z=7	1	1	1		
5	180	181-223-310	CLUTCH 325", Z=7	1	1	1		



Products with multiple versions are listed in subsiding order with the newest version on top not indented.

Corresponding bulletins are attached. Select bulletin name or attachment to view.

Section	Fig. No.	Part No.	Description	DCS46018	DCS51018	DCS51020	Tech Bulletin	Notes
6	201	181-153-301	CARBURETOR, DCS510	1	1	1		
6	201	181-153-300	CARBURETOR, DCS510	1	1	1		
6	202	181-153-030	PUMP COVER	1	1	1		
6	203	038-153-360	SCREW	1	1	1		
6	204	181-153-040	DIAPHRAGM COVER	1	1	1		
6	205	001-153-020	SCREW	2	2	2		
6	206	181-153-020	SET DIAPHRAGM/GASKETS	1	1	1		
6	207	181-153-050	PUMP DIAPHRAGM, TEFLON	1	1	1		
6	207	181-153-060	PUMP DIAPHRAGM, RUBBER	1	1	1		
6	208	038-153-210	FRICTIONAL BALL	1	1	1		
6	209	181-153-070	IDLE STOP SCREW	1	1	1		
6	210	181-153-080	SCREEN	1	1	1		
6	211	957-153-090	KIT THROTTLE SHAFT	1	1	1		
6	212	957-153-080	KIT CHOKE SHAFT	1	1	1		
6	213	957-153-070	CONTROL PARTS	1	1	1		
6	217	181-153-220	WASHER	2	2	2		
6	218	181-153-280	LIMITER CAP, white	1	1	1		
6	219	038-153-310	LIMITER CAP, red	1	1	1		
6	220	181-153-260	IDLE ADJUSTMENT SCREW - L	1	1	1		
6	221	181-153-270	MAIN ADJUSTMENT SCREW - H	1	1	1		
6	222	181-153-290	RUBBER RING	1	1	1		
6	223	038-153-320	ADJUSTING GUIDE	1	1	1		
6	224	181-153-110	SPRING	1	1	1		
6	225	181-153-160	SPRING	1	1	1		
6	226	181-153-210	PLUG-WELCH	1	1	1		
6	230	038-155-012	RETAINING CLIP, DCS6401	1	1	1		
6	230	038-155-011	RETAINING CLIP	1	1	1		
6	231	965-402-991	GASKET	1	1	1		
6	232	181-173-250	SNOW FILTER, DCS510	1	1	1		
6	234	181-213-400	FOAM PLATE	1	1	1	2007-15	YES



Products with multiple versions are listed in subsiding order with the newest version on top not indented.

Corresponding bulletins are attached. Select bulletin name or attachment to view.

Section	Fig. No.	Part No.	Description	DCS46018	DCS51018	DCS51020	Tech Bulletin	Notes
7	500	446-045-661	18" GUIDE BAR 3/8",	1	1			
7	502	523-102-064	18" 3/8 .050 SAW CHAIN	1	1			
7	518	952-020-650	CHAIN PROTECT COVER, DCS510	1	1			
7	520	957-004-002	TOOL CPL.	1	1	1		
7	521	941-719-131	UNIVERSAL WRENCH	1	1	1		
7	522	940-827-000	ANGLED SCREW DRIVER	1	1	1		
7	523	944-340-001	SCREW DRIVER	1	1	1		
7	524	950-004-001	PLASTIC BAG	1	1	1		
7	530	443-053-661	20" GUIDE BAR, DCS510-20			1		
7	531	523-102-072A	20" CHAIN , .050-3/8,DCS6401-20			1		
7	532	952-020-650	CHAIN PROTECT COVER, DCS510			1		