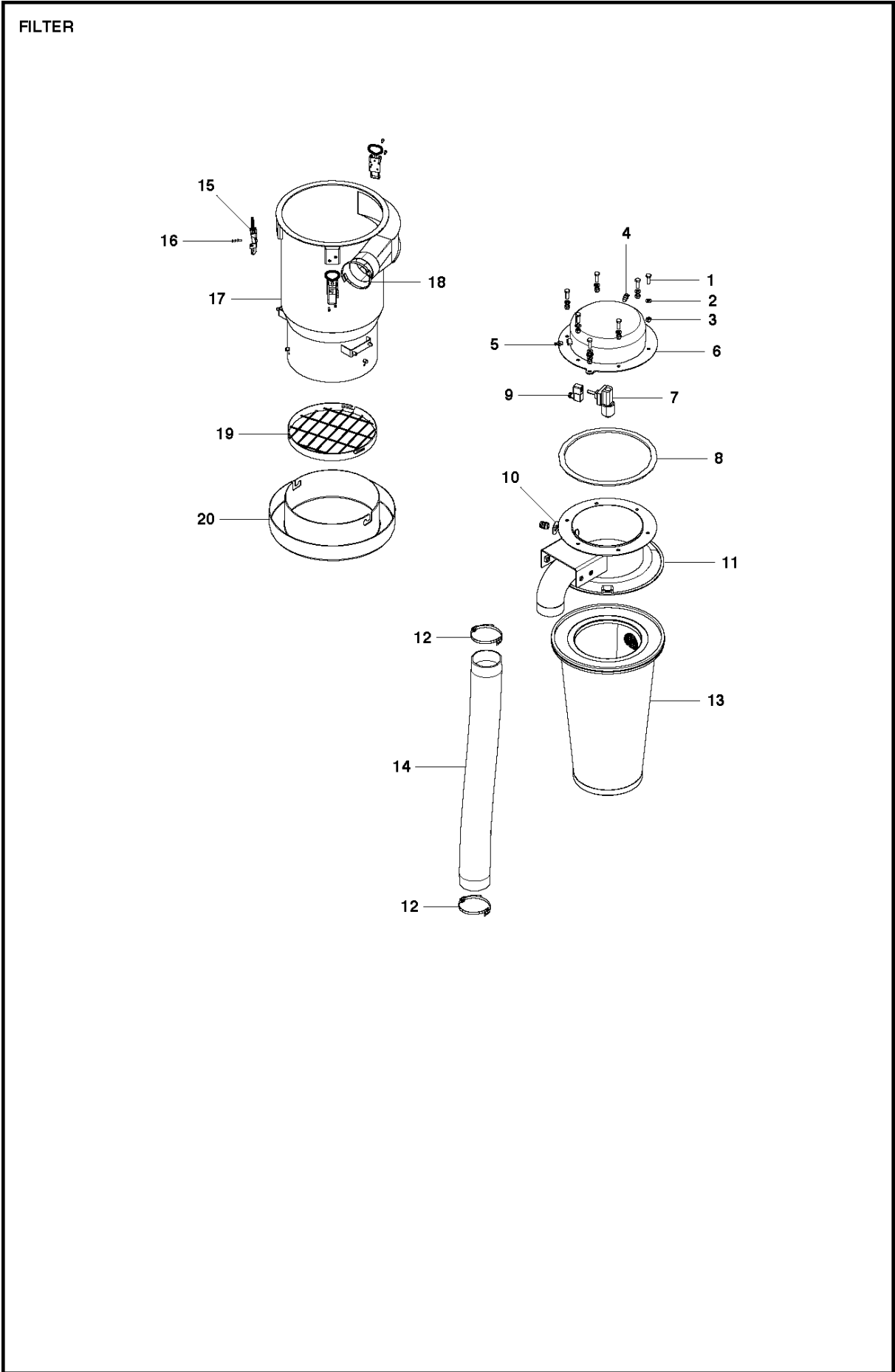




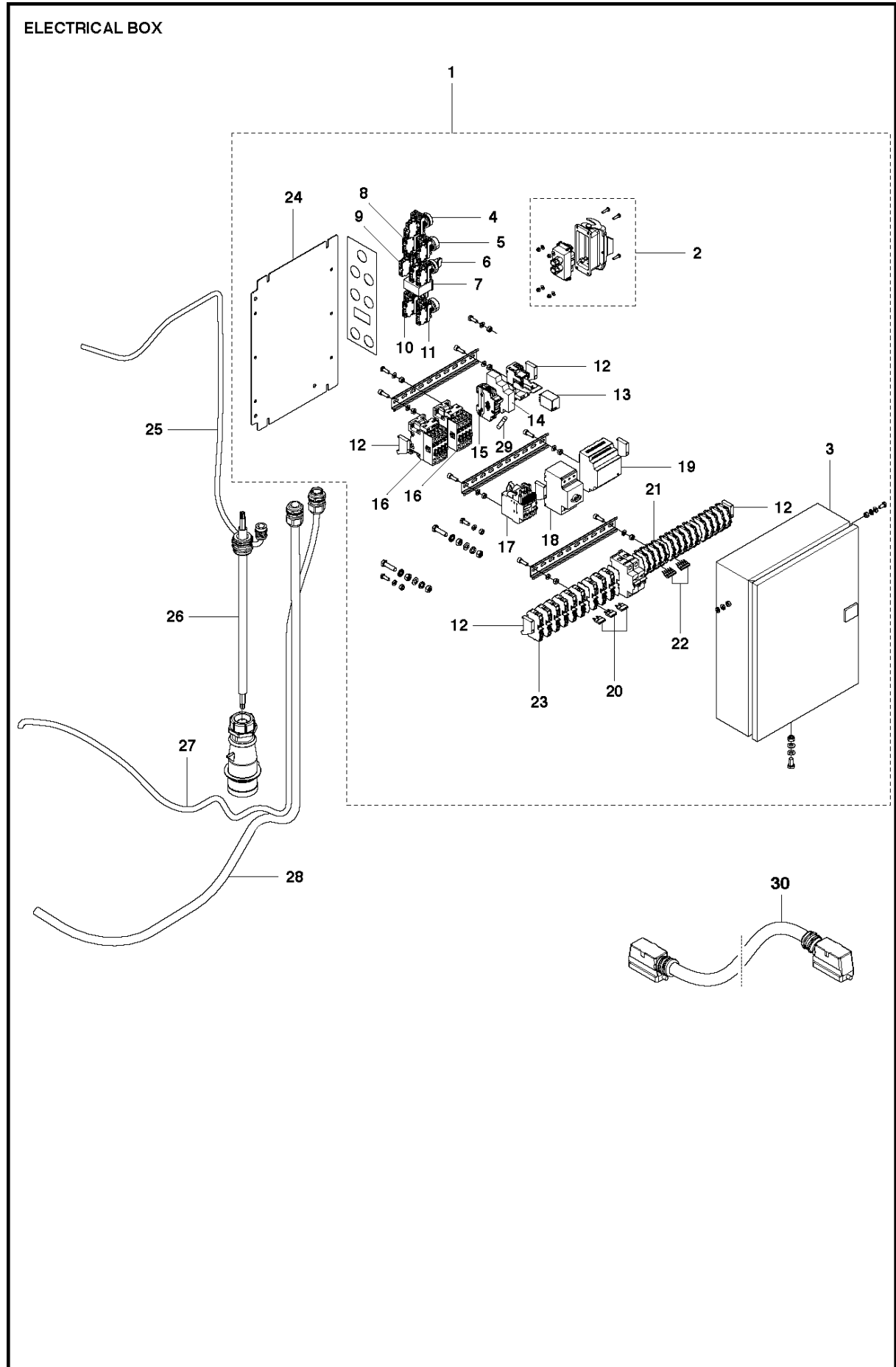
SPARE PARTS LIST

SURFACE PREPARATION EQUIPMENT

DC 6000, 2014-03



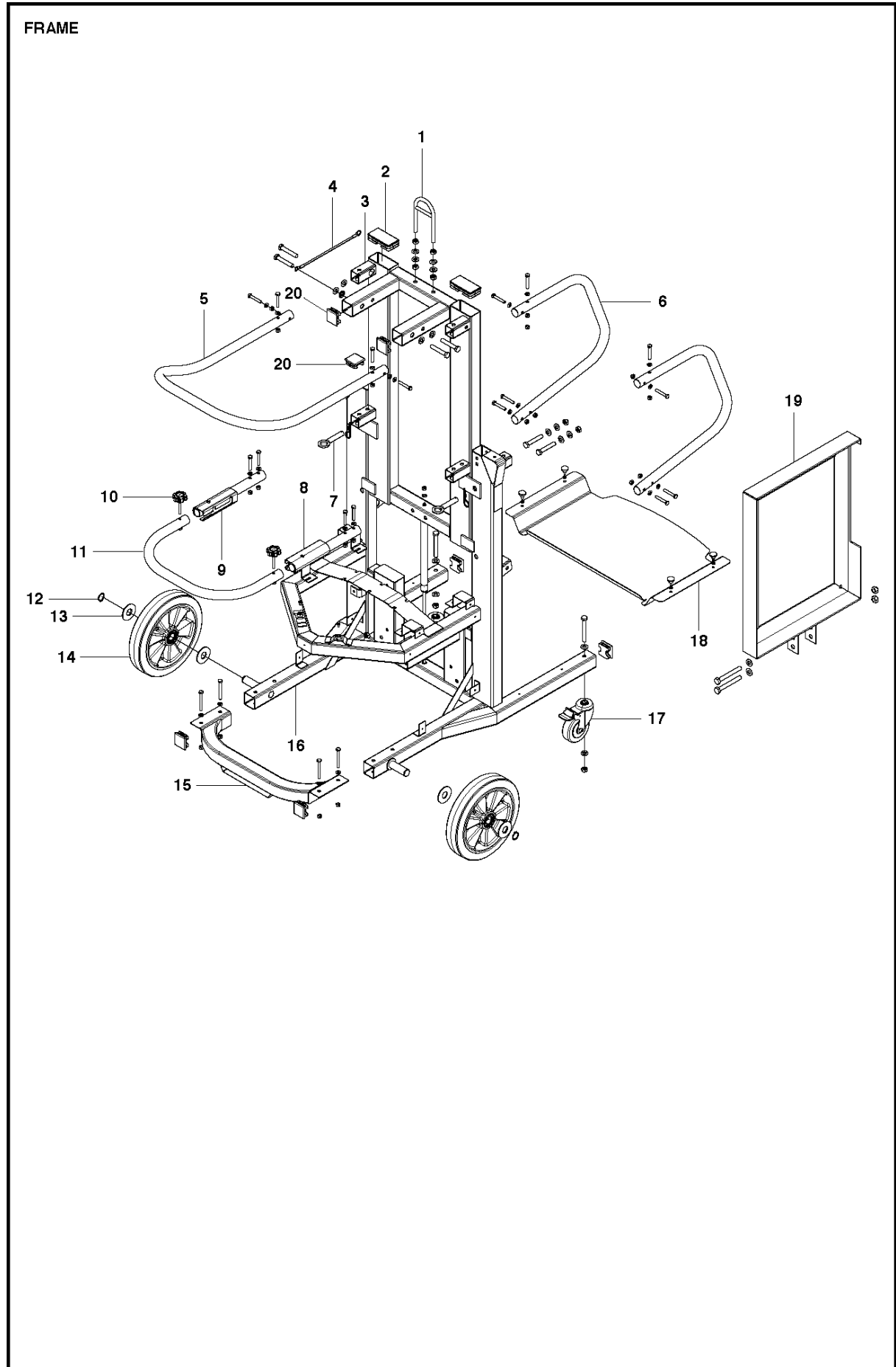
| Ref | Part No | Description | Remark | QTY KIT |
|-----|--------------|---------------------|--------|---------|
| 1 | 725 24 95-71 | SCREW EHHM | | 7 |
| 2 | 734 11 72-01 | WASHER | | 7 |
| 3 | 732 25 20-01 | HEXAGON LOCKING NUT | | 7 |
| 4 | 583 95 81-01 | VALVE | | 1 |
| 5 | 584 14 73-01 | CONNECTION | | 1 |
| 6 | 583 92 10-01 | PRESSURE CHAMBER | | 1 |
| 7 | 583 95 80-01 | VALVE | | 1 |
| 8 | 504 76 22-01 | SEAL | | 1 |
| 9 | 585 66 04-01 | CONNECTOR | | 1 |
| 10 | 525 57 03-01 | GROMMET | | 1 |
| 11 | 583 94 48-01 | FILTER | | 1 |
| 12 | 584 46 94-01 | HOSE CLAMP | | 2 |
| 13 | 583 95 78-01 | FILTER | | 1 |
| 14 | 584 46 95-02 | HOSE | | 1 |
| 15 | 502 57 00-02 | LATCH | | 1 |
| 16 | 724 33 29-51 | SCREW CRCSFM | | 1 |
| 17 | 583 92 12-01 | TUBE | | 1 |
| 18 | 584 46 94-01 | HOSE CLAMP | | 1 |
| 19 | 583 88 67-01 | NET | | 1 |
| 20 | 583 87 62-01 | HOLDER | | 1 |



ELECTRIC BOX

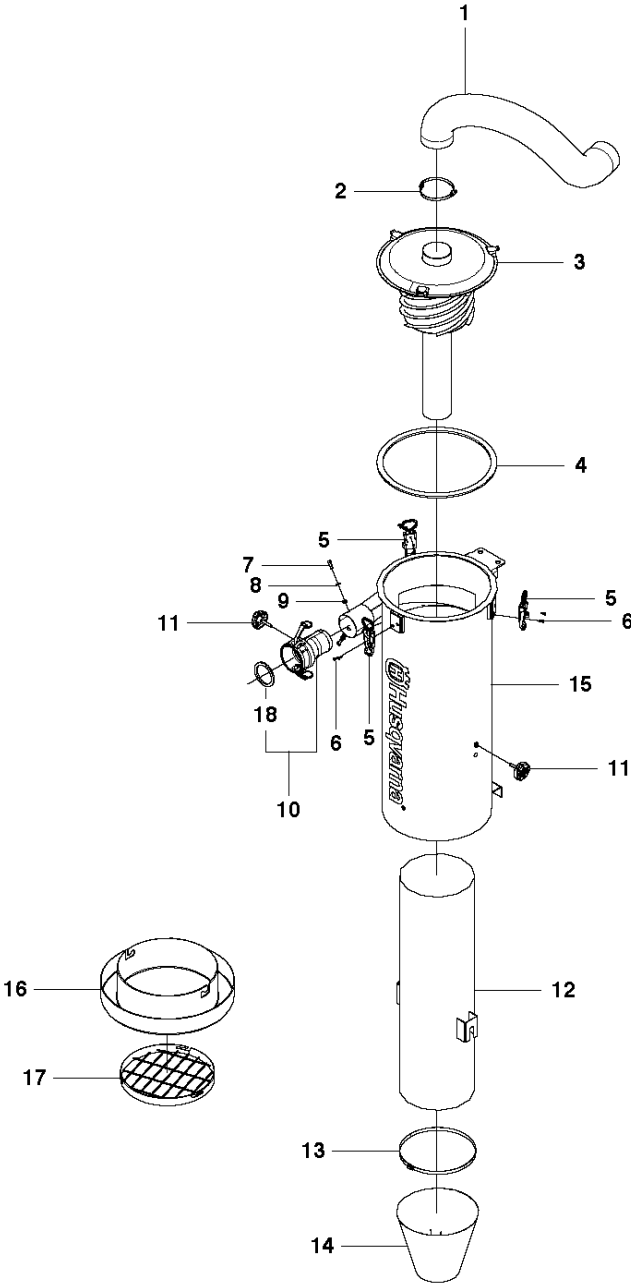
DC 6000, 2014-03

| Ref | Part No | Description | Remark | QTY KIT |
|-----|--------------|----------------|----------------------------------|---------|
| 1 | 585 15 18-01 | ELECTRONIC BOX | | 1 |
| 2 | 586 74 02-01 | CONNECTOR | | 1 |
| 3 | 586 46 66-01 | ELECTRONIC BOX | | 1 |
| 4 | 586 74 13-01 | LAMP | | 1 |
| 5 | 586 87 70-01 | PUSH BUTTON | | 1 |
| 6 | 586 87 71-01 | SWITCH | | 1 |
| 7 | 584 29 63-01 | HOUR METER | | 1 |
| 8 | 586 87 72-01 | PUSH BUTTON | | 1 |
| 9 | 586 74 20-01 | LAMP | | 1 |
| 10 | 586 87 80-01 | SWITCH | | 1 |
| 11 | 586 87 82-01 | PUSH BUTTON | | 1 |
| 12 | 504 73 99-01 | CLAMP | | 1 |
| 13 | 584 29 73-01 | RELAY | | 1 |
| 14 | 585 62 28-01 | RELAY | | 1 |
| 15 | 585 62 29-01 | FUSE HOLDER | | 1 |
| 16 | 585 65 36-01 | CONTACTOR | | 2 |
| 17 | 584 29 78-01 | RELAY | | 1 |
| 18 | 586 07 97-01 | PROTECTION | | 1 |
| 19 | 581 92 23-01 | CONTROL UNIT | | 1 |
| 20 | 585 61 33-01 | TERMINAL BLOCK | | 1 |
| 21 | 585 61 35-01 | TERMINAL BLOCK | | 14 |
| 22 | 585 61 37-01 | TERMINAL BLOCK | | 1 |
| 23 | 585 61 31-01 | TERMINAL BLOCK | | 9 |
| 24 | 585 87 54-01 | PLATE | -01 EU/AUS / -02 UL/CSA | 1 |
| 25 | 586 22 48-01 | CABLE ASSY | -01 EU / -02 AUS / -03 UL/CSA | 1 |
| 26 | 586 22 31-01 | CABLE ASSY | -01 EU/AUS / -02 UL/CSA | 1 |
| 27 | 586 22 35-01 | CABLE ASSY | -01 EU/AUS / -02 UL/CSA | 1 |
| 28 | 586 22 32-01 | CABLE ASSY | | 1 |
| 29 | 585 66 03-01 | FUSE | | 1 |
| 30 | 575 31 55-01 | EXTENSION LEAD | CE | 1 |
| 30 | 575 31 55-02 | EXTENSION LEAD | UL | 1 |
| 30 | 577 20 58-01 | EXTENSION LEAD | JP | 1 |



| Ref | Part No | Description | Remark | QTY KIT |
|-----|--------------|-------------|--------|---------|
| 1 | 585 99 23-01 | LOOP | | 1 |
| 2 | 504 75 31-01 | HUB CAP | | 1 |
| 3 | 583 86 62-01 | FRAME | | 1 |
| 4 | 586 73 14-01 | CABLE ASSY | | 1 |
| 5 | 583 86 70-01 | PIPE | | 1 |
| 6 | 583 86 79-01 | PIPE | | 1 |
| 7 | 583 96 78-01 | PEN | | 1 |
| 8 | 584 15 72-02 | BRACKET | | 1 |
| 9 | 584 15 72-01 | BRACKET | | 1 |
| 10 | 585 22 81-01 | KNOB | | 1 |
| 11 | 583 86 72-01 | PIPE | | 1 |
| 12 | 735 31 26-00 | CIRCLIP | | 1 |
| 13 | 504 75 14-01 | WASHER | | 1 |
| 14 | 502 54 50-01 | WHEEL | | 1 |
| 15 | 586 04 30-01 | TUBE | | 1 |
| 16 | 583 86 63-01 | FRAME | | 1 |
| 17 | 502 56 91-01 | WHEEL | | 1 |
| 18 | 583 90 79-01 | SHEET | | 1 |
| 19 | 585 20 16-01 | FRAME | | 1 |
| 20 | 504 75 97-01 | HUB CAP | | 2 |

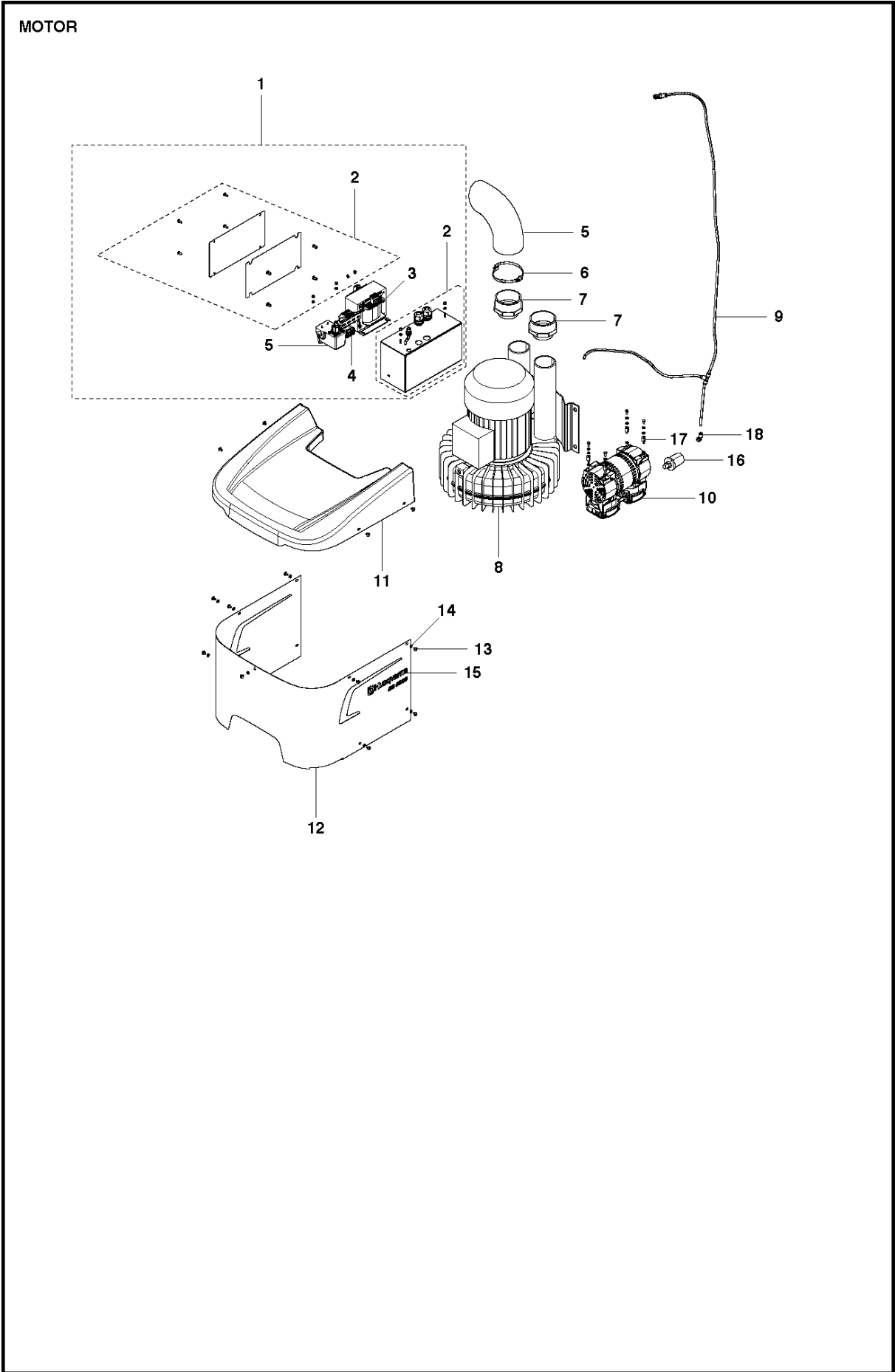
CYKLON



HOUSING

DC 6000, 2014-03

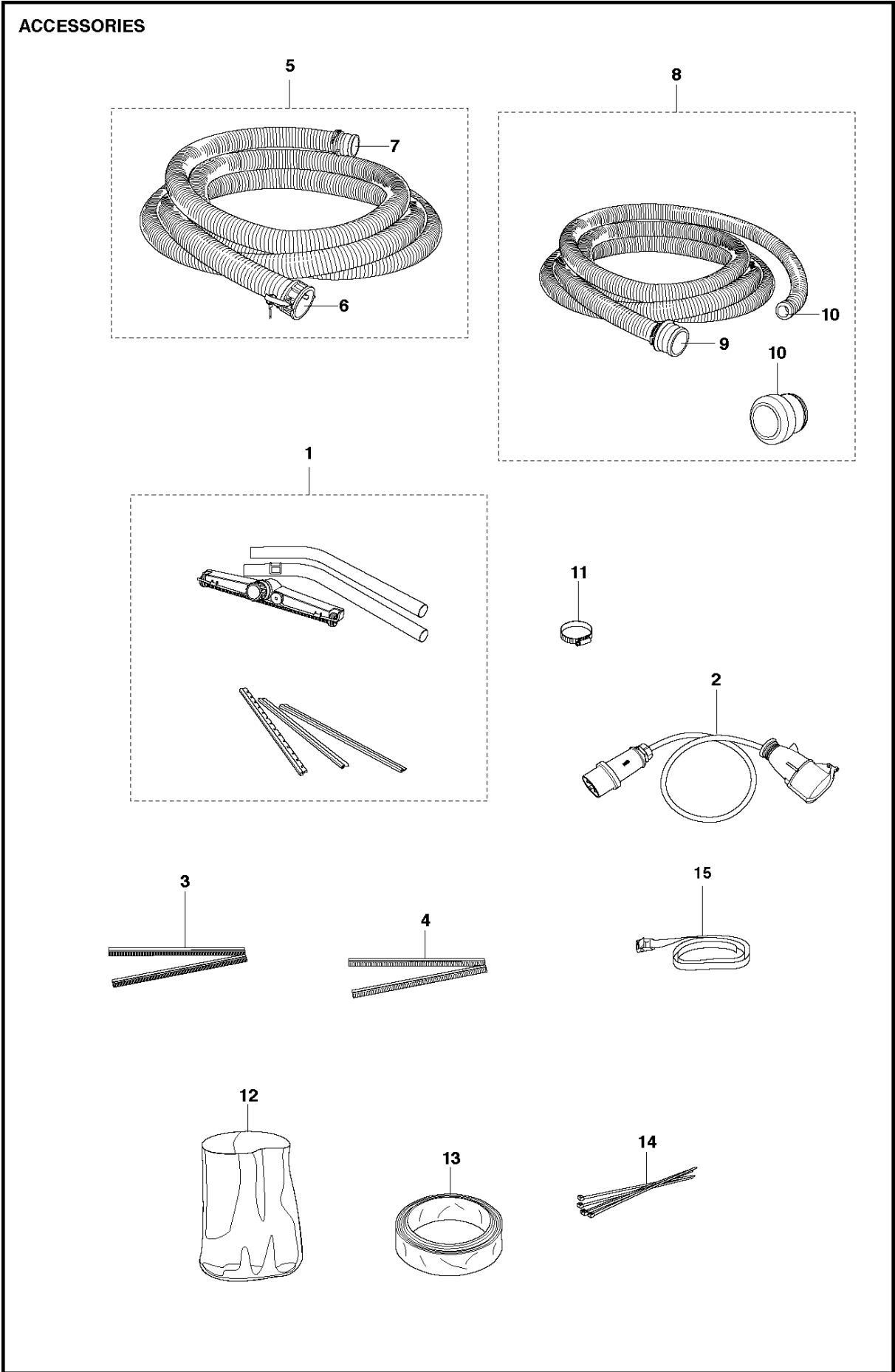
| Ref | Part No | Description | Remark | QTY | KIT |
|-----|--------------|--------------|--------|-----|-----|
| 1 | 584 46 95-03 | HOSE | | 1 | |
| 2 | 584 46 94-01 | HOSE CLAMP | | 1 | |
| 3 | 581 56 64-01 | FILTER | | 1 | |
| 4 | 504 76 22-01 | SEAL | | 1 | |
| 5 | 502 57 00-02 | LATCH | | 3 | |
| 6 | 724 33 29-51 | SCREW CRCSFM | | 6 | |
| 7 | 504 75 02-02 | SCREW IHPANM | | 2 | |
| 8 | 734 11 63-60 | WASHER | | 2 | |
| 9 | 586 58 83-01 | CAP NUT | | 2 | |
| 10 | 502 56 96-04 | COUPLING | | 1 | |
| 11 | 504 56 93-01 | TURNING KNOB | | 2 | |
| 12 | 583 92 61-01 | TUBE | | 1 | |
| 13 | 583 88 65-01 | HOSE CLAMP | | 1 | |
| 14 | 583 88 63-01 | TUBE | | 1 | |
| 15 | 583 88 75-01 | FILTER | | 1 | |
| 16 | 583 87 62-01 | HOLDER | | 1 | |
| 17 | 583 88 67-01 | NET | | 1 | |
| 18 | 502 53 40-05 | RUBBER RING | | 1 | 10 |



MOTOR

DC 6000, 2014-03

| Ref | Part No | Description | Remark | QTY | KIT |
|-----|--------------|----------------|--------|-----|-----|
| 1 | 586 06 91-01 | ELECTRONIC BOX | | 1 | |
| 1 | 586 06 91-02 | ELECTRONIC BOX | | 1 | |
| 2 | 586 72 87-01 | ELECTRONIC BOX | | 1 | |
| 3 | 584 29 76-01 | TRANSFORMER | CE/AUS | 1 | |
| 3 | 584 29 76-02 | TRANSFORMER | UL/CSA | 1 | |
| 4 | 586 12 81-01 | CAPACITOR | | 1 | 1 |
| 5 | 584 29 86-01 | SWITCH | | 1 | 1 |
| 6 | 584 46 94-01 | HOSE CLAMP | | 1 | |
| 7 | 584 41 07-01 | ADAPTER | | 2 | |
| 8 | 583 84 36-01 | MOTOR | CE/AUS | 1 | |
| 8 | 583 84 37-02 | MOTOR | UL/CSA | 1 | |
| 9 | 586 73 22-01 | HOSE KIT | | 1 | |
| 10 | 584 29 85-01 | MOTOR | | 1 | |
| 11 | 583 89 08-01 | COVER | | 1 | |
| 12 | 583 90 01-01 | SHEET | | 1 | |
| 13 | 535 42 58-01 | SCREW IHANM | | 1 | |
| 14 | 734 11 52-60 | WASHER | | 1 | |
| 15 | 577 46 90-01 | DECAL | | 1 | |
| 16 | 584 44 33-01 | FILTER | | 1 | |
| 17 | 584 43 89-01 | DISTANCE | | 1 | |
| 18 | 586 06 85-01 | CONNECTION | | 1 | |



ACCESSORIES

DC 6000, 2014-03

| Ref | Part No | Description | Remark | QTY | KIT |
|-----|--------------|-------------|---------------------|-----|-----|
| 1 | 585 87 09-01 | TOOL | | 1 | |
| 2 | 586 73 16-01 | CABLE ASSY | Adapter 32A --> 16A | 1 | |
| 3 | 510 27 85-01 | TOOL | | 1 | |
| 4 | 521 91 21-01 | STRIP | | 1 | |
| 5 | 525 58 46-01 | HOSE KIT | "3"-hose" | 1 | |
| 6 | 502 56 96-04 | COUPLING | | 1 | 5 |
| 7 | 502 56 96-03 | COUPLING | | 1 | 5 |
| 8 | 585 87 10-01 | HOSE KIT | "2"-hose" | 1 | |
| 9 | 502 56 98-03 | HOSING | | 1 | 8 |
| 10 | 585 64 76-01 | ADAPTER | | 1 | 8 |
| 11 | 502 56 96-05 | HOSE CLAMP | | 1 | |
| 12 | 502 57 01-01 | BAGS | | 1 | |
| 13 | 584 65 02-01 | BAG | | 1 | |
| 14 | 586 67 16-01 | TIE STRAP | | 1 | |
| 15 | 584 61 87-01 | STRAP | | 1 | |