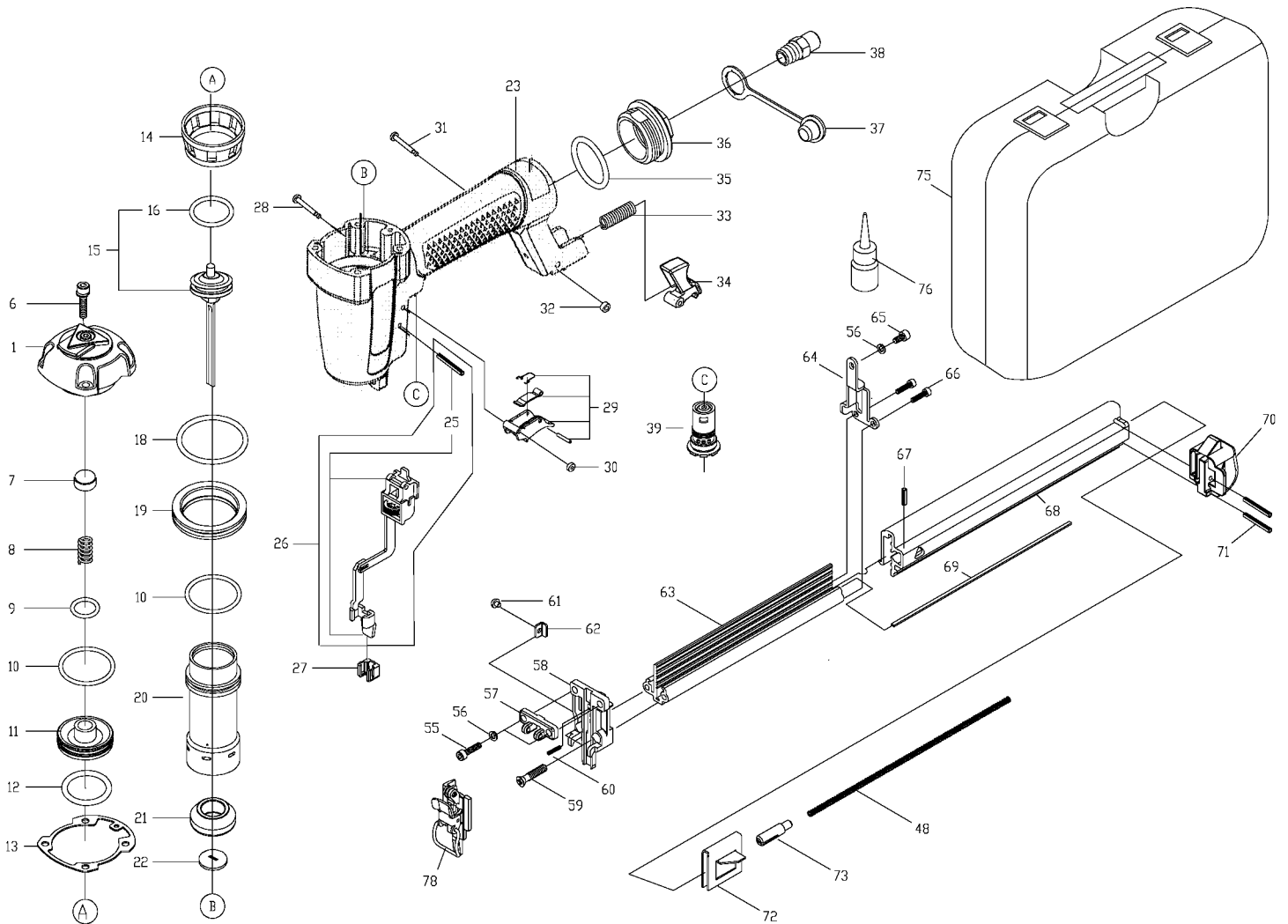




DBS125 BRAD NAILER & NARROW CROWN STAPLER

NA-3

PART NO. A04220
DATE 08-06-04



NOTE: PARTS LIGHTLY SHADED ARE NOT SERVICEABLE.

Parts List for DBS125 Type 1

Item Number	Part Number	Description	Qty Required
1	A05696	CAP	1
6	A05658	SCREW	1
7	A05687	SEAL	1
8	A05659	SPRING	1
9	A05663	O-RING	1
10	A05666	O-RING	2
11	A05684	HEAD VALVE	1
12	A05667	O-RING	1
13	A05677	GASKET	1
14	A05680	COLLAR	1
15	A05794	DRIVER ASSY	1
16	A05675	O-RING	1
18	A05671	O-RING	1
19	A05694	SPACER	1
20	A05678	CYLINDER SLEEVE	1
21	A05685	BUMPER	1
22	A05717	DRIVER GUIDE	1
23	904673	WARNING LABEL	1
25	A05652	PIN	1
26	A05795	SAFETY UNIT	1
27	A05676	PAD	1
28	A05650	TRIGGER PIN	1
29	A05691	RESTRICTIVE TRIGGER	1
30	A05648	RETAINER	1
31	A05649	PIN	1
32	A05647	RETAINER	1
33	A05662	SPRING	1

Parts List for DBS125 Type 1

Item Number	Part Number	Description	Qty Required
34	A05689	LATCH	1
35	A05672	O-RING	1
36	A05681	END CAP	1
37	884443	PROTECTIVE COVER	1
38	PAP252	PLUG	1
39	A05693	TRIGGER VALVE	1
48	A05660	SPRING	1
55	1344933	SCREW	1
56	A05645	WASHER	2
57	A05791	COVER	1
58	A05793	DRIVER GUIDE	1
59	A05644	SCREW	1
60	A05714	PIN	1
61	A05713	SCREW	1
62	A05772	CATCH COVER	1
63	A05786	MAGAZINE RAIL	1
64	A05788	BRACKET	1
65	1246051	CAP SCREW	1
66	1341441	SCREW	1
67	A05653	PIN	1
68	A07063	MAGAZINE ASSEMBLY	1
69	A05789	WEAR PLATE	1
70	A05790	END CAP	1
71	A05651	PIN	1
72	A05718	PUSHER	1
73	A05688	SPRING GUIDE	1
75	A04047	CASE-CARRYING	1

Parts List for DBS125 Type 1

Item Number	Part Number	Description	Qty Required
76	884293	AIR TOOL OIL (18CC)	1
78	A07062	LATCH ASSEMBLY	1