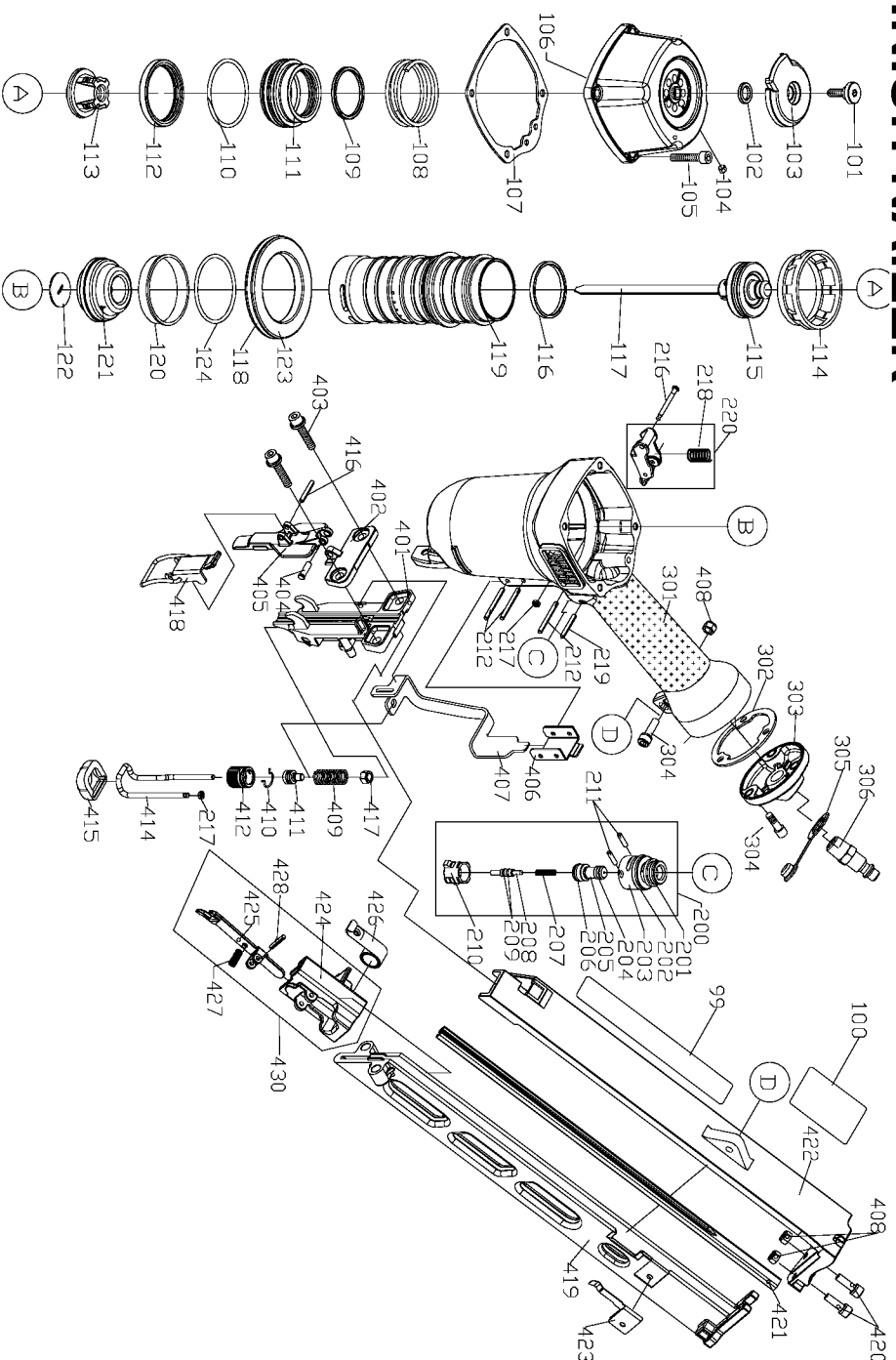


PORTER-CABLE FINISH NAILER

WARNING: Repairs should only be attempted by trained repairmen. Contact the nearest Porter-Cable Service Center or other competent repair center

DA250B



Parts List for DA250B Type 1

Item Number	Part Number	Description	Qty Required
99	904671	LABEL	1
100	904673	WARNING LABEL	1
101	904681	BOLT (M5 X 0.8-10)	10
102	904683	RUBBER PAD	1
103	904741	DEFLECTOR	1
104	883912	SET SCREW	1
105	904742	SCREW	1
106	904743	CAP	1
107	904744	GASKET	1
108	A02164	SPRING - HEAD VALVE	1
109	904746	O-RING OF RUBBER	1
110	904747	O-RING	1
111	904748	SEAL	1
112	904749	COLLAR	1
113	904750	SEAL	1
114	904751	PRESS RING	1
115	904752	O-RING OF RUBBER	1
116	904753	PISTON RING	1
117	905017	DRIVER MAINT KIT	1
117	905017	DRIVER MAINT KIT	1
118	904755	O-RING OF RUBBER	1
119	904756	CYLINDER	1
120	883926	CYL CHECK SEAL	1
121	904757	BUMPER	1
122	904758	WASHER	1
123	904759	CYLINDER SPACER	1
124	904760	O-RING OF RUBBER	1

Parts List for DA250B Type 1

Item Number	Part Number	Description	Qty Required
200	A08368	SS/A TRIGGER VALVE K	1
201	897340	O-RING	1
202	897341	O-RING	1
203	897342	CAP	1
204	883937	TRIGGER VALVE	1
205	883936	O-RING	1
206	883938	O-RING	1
207	883939	PLUNGER SPRING	1
208	897346	PLUNGER	1
209	883849	O-RING	1
210	897347	VALVE	1
211	897374	PIN (3X12)	1
212	897349	PIN-SPRING	1
216	897351	PIN	1
217	890725	URETHANE RETAINER	1
218	904701	SPRING-RESTRICTIVE T	1
219	884404	ROLLED PIN	1
220	904952	SS/A-CONTACT ACT TRI	1
220	904951	SS/A-RESTRICTIVE TRI	1
301	904761	HOUSING	1
302	904762	GASKET OF PAPER PULP	1
303	904763	END CAP	1
304	890738	WASHER/BOLT ASSY	1
305	884443	PROTECTIVE COVER	1
306	883859	MALE QUICK COUPLER	1
401	904764	DRIVER GUIDE	1
402	904765	COVER	1

Parts List for DA250B Type 1

Item Number	Part Number	Description	Qty Required
403	898306	BOLT	1
404	904766	PIN	1
405	904767	COVER	1
406	887913	SAFETY GUIDE	1
407	904768	SAFETY B	1
408	883970	NUT-LOCK	1
409	904770	SPRING	1
410	904771	RING	1
411	904772	ROD	1
412	904773	THUMB WHEEL	1
414	911989	SAFETY A	1
415	904775	NOSE CUSHION	1
416	904776	PIN	1
417	904769	LOCKNUT	1
418	904777	LOCK HANDLE	1
419	904778	MAGAZINE A	1
420	904779	BOLT ASSY	1
421	904780	STEEL CHANNEL	1
422	904782	MAGAZINE COVER	1
423	904783	PLATE	1
424	904784	MAGAZINE COVER	1
425	904785	PUSHER	1
426	904786	SPRING UNIT	1
427	904787	SPRING IRON STEEL	1
428	888808	ROLLED PIN	1
430	905022	PUSHER ASSEMBLY	1
800	884293	AIR TOOL OIL (18CC)	1

Parts List for DA250B Type 1

Item Number	Part Number	Description	Qty Required
856	905013	OVERHAUL KIT	1
856	905013	OVERHAUL KIT	1
856	884298	HEX WRENCH (4MM)	1
856	884299	HEX WRENCH (5MM)	1
861	903891	CARRYING CASE	1