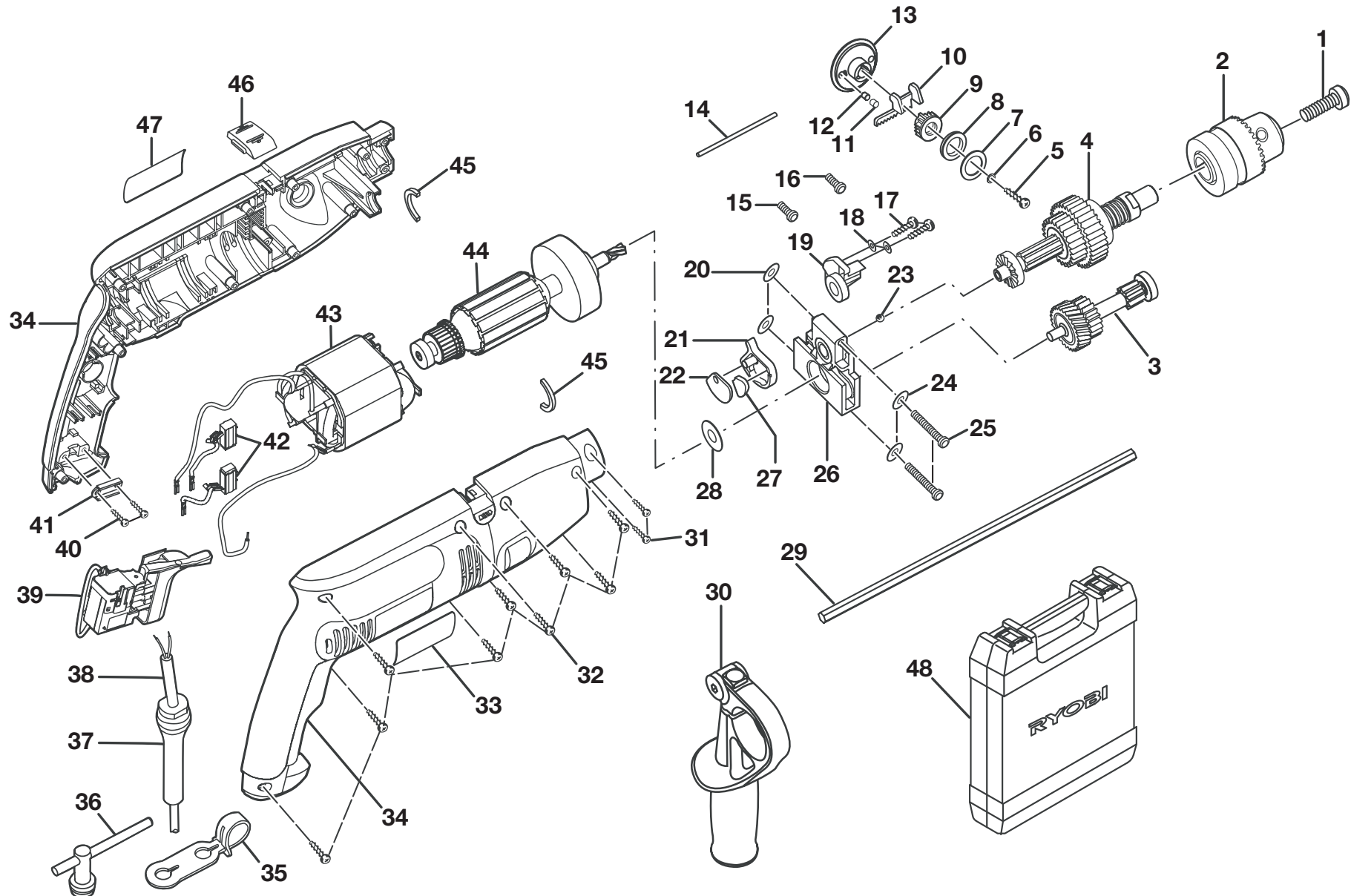


RYOBI HAMMER DRILL – MODEL NUMBER D551H



RYOBI HAMMER DRILL – MODEL NUMBER D551H

The model number will be found on a plate attached to the motor housing. Always mention the model number in all correspondence regarding your **HAMMER DRILL** or when ordering repair parts.

PARTS LIST

KEY NO.	PART NUMBER	DESCRIPTION	QTY	KEY NO.	PART NUMBER	DESCRIPTION	QTY
1	6613402	SCREW (M6 X 27 mm)	1	26	984721001	BEARING PLATE ASSEMBLY	1
2	690090009	CHUCK.....	1	27	690443001	DRILL MODE INSERT	1
3	984723001	GEAR SHAFT ASSEMBLY.....	1	28	900722002	OIL SEAL.....	1
4	984722001	OUTPUT SPINDLE/GEAR ASSEMBLY	1	29	6341203	GUIDE ROD GAUGE	1
5	6620310	SCREW (M3 X 14 mm)	1	30	3018808	AUXILIARY HANDLE ASSEMBLY.....	1
6	630636001	SPRING WASHER	1	31	6620805	SCREW (M4 X 16 mm)	2
7	690497001	WASHER	1	32	660208013	SCREW (M4 X 20 mm)	9
8	900701001	FELT WASHER.....	1	33	940999018	DATA LABEL.....	1
9	610305001	SPEED ADJUST GEAR	1	34	200202303	HOUSING ASSEMBLY	1
10	690441001	SLIPPING RACK	1	35	5678001	CHUCK KEY STRAP.....	1
11	690541001	COPPER CAP	1	36	6917601	CHUCK KEY.....	1
12	690542001	SPRING.....	1	37	5927402	BEND RELIEF	1
13	400234001	SPEED BUTTON.....	1	38	730202006	POWER CORD	1
14	690457001	STEEL TRACK ROD	1	39	984719001	SWITCH ASSEMBLY	1
15	660290004	SCREW (M3 X 5 mm)	1	40	6620801	SCREW (M4 X 12 mm)	2
16	660099001	SCREW (M2.6 X 8 mm)	1	41	6906901	CORD CLAMP.....	1
17	660206018	SCREW (M3.5 X 15 mm)	2	42	984720001	BRUSH ASSEMBLY SET	1
18	680379001	SPRING WASHER	2	43	740399001	FIELD ASSEMBLY	1
19	690942003	ARMATURE SHAFT SUPPORT	1	44	984718001	ARMATURE ASSEMBLY	1
20	690885001	WASHER.....	2	45	900694001	FELT SEAL	1
21	590233001	HAMMER ADJUST LEVER	1	46	590296001	MODE SELECTOR.....	1
22	690477001	HAMMER ADJUST PLATE.....	1	47	940999017	LOGO LABEL	1
23	6721901	STEEL BALL	1	48	300636097	CARRYING CASE	1
24	6703001	SPRING WASHER	2		983000633	OPERATOR'S MANUAL (960974001)	
25	660237005	SCREW (M4 X 37 mm)	2		983000633R	REPAIR SHEET (REV:00)	
					03-17-05		

WARNING: Improper repair of a double insulated tool can result in damage to the double insulation system possibly causing electrical shock or electrocution. Any repairs requiring disassembly of your tool requires safety testing and should only be performed by a Ryobi Authorized Service Center. For the service center nearest you call 1-800-525-2579.

* STANDARD HARDWARE ITEM – MAY BE PURCHASED LOCALLY