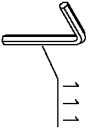


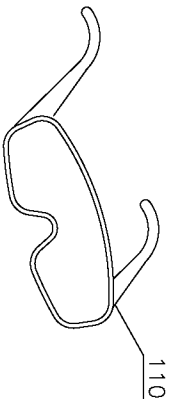
800



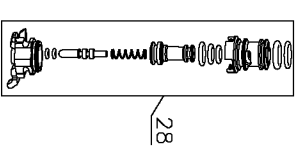
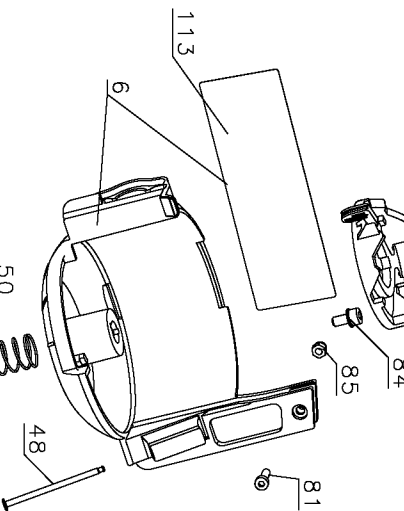
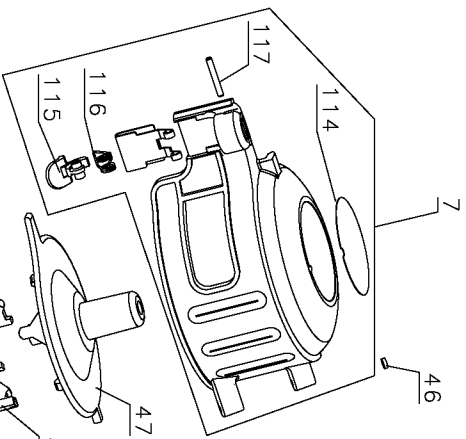
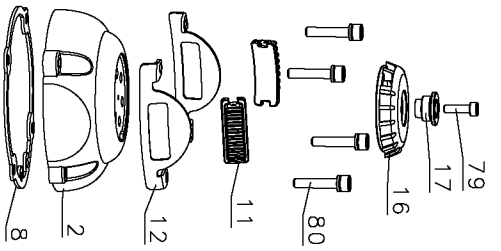
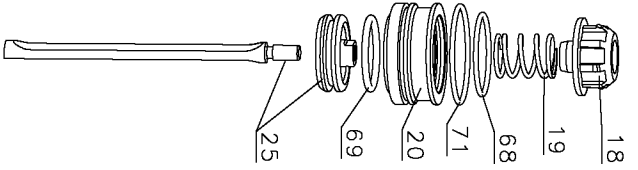
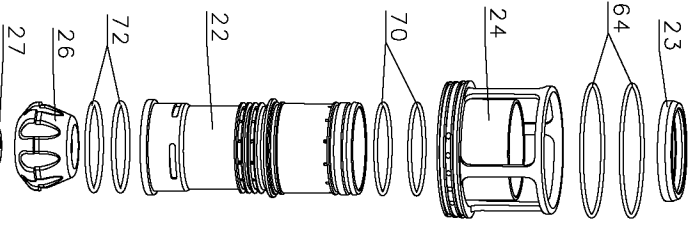
846



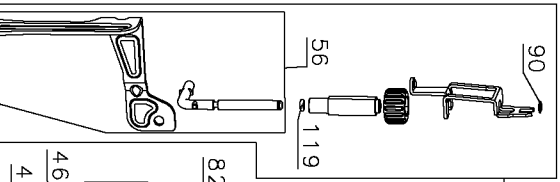
1111



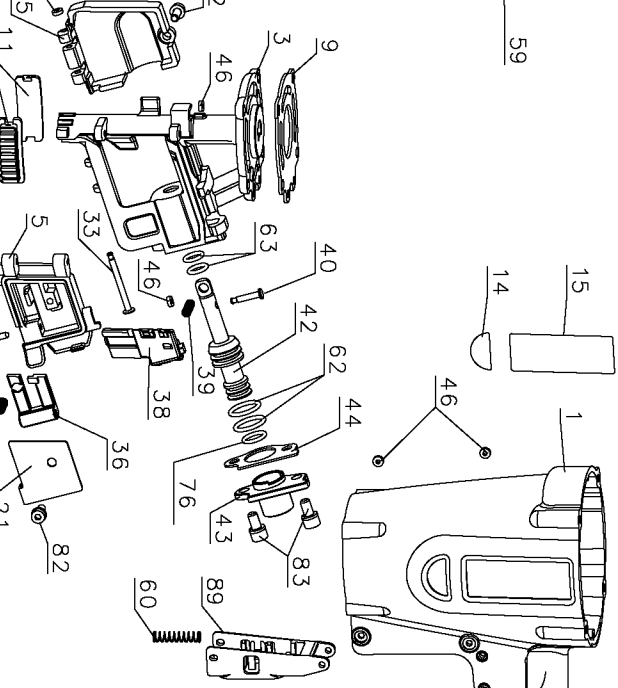
110



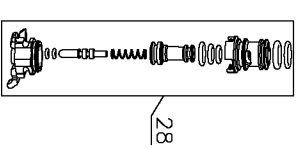
28



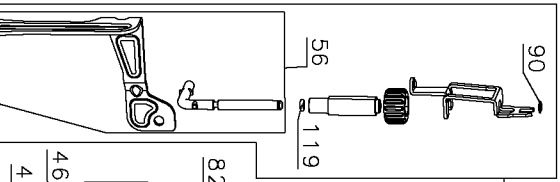
56
119



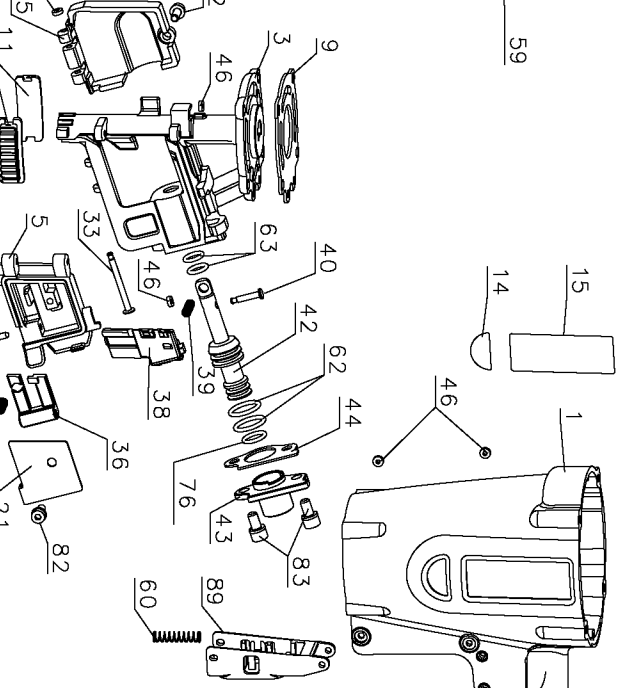
59



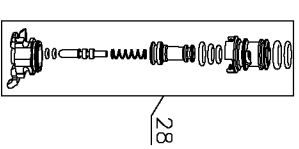
35



56
119



59



35

Parts List for D51321 Type 2

Item Number	Part Number	Description	Qty Required
1	614947-00	FRAME	1
2	614921-00	CAP	1
3	614933-00	NOSE	1
4	395433-00	END CAP	1
5	614936-00	DOOR	1
6	614948-00	CANISTER	1
7	614945-00	COVER	1
8	614922-00	GASKET	1
9	614934-00	GASKET	1
10	395430-00	GASKET	1
11	614961-00	PAD	4
12	614962-00	CAP	2
13	614963-00	NOSE	2
14	619131-00	LABEL	2
15	613090-00	LABEL	2
16	614985-00	DEFLECTOR	1
17	619175-00	BUSHING	1
18	N000596	BUMPER	1
19	395064-00	SPRING	1
20	N023263	HEAD VALVE	1
21	614964-00	COVER	1
22	614926-00	CYLINDER	1
23	395065-00	SEAL	1
24	631569-00	BULKHEAD	1
25	N000724	PISTON DRIVER ASSY.	1
26	631041-00	BUMPER	1
27	631568-00	PLATE	1

Parts List for D51321 Type 2

Item Number	Part Number	Description	Qty Required
28	647956-00	TRIGGER VALVE ASSY.	1
30	641172-00	PIN	2
33	395091-00	PIN	1
35	398230-00	TRIGGER ASSY	1
35	398219-00	TRIGGER ASSY.	1
36	614937-00	PAWL	1
37	629583-00	SPRING	1
38	614939-00	PAWL	1
39	614941-00	SPRING	1
40	614942-00	PIN	1
41	614949-00	PIN	1
42	614944-00	PISTON	1
43	614993-00	PLATE	1
44	614979-00	GASKET	1
45	614946-00	COVER	1
46	620635-00	GROMMET	6
47	614954-00	HOLDER	1
48	614955-00	PIN	1
49	614956-00	CAM	1
50	614957-00	SPRING	1
51	614986-00	WASHER	1
52	614959-00	WEAR PLATE	1
53	632550-00	SHINGLE GAUGE	1
54	614960-00	GUIDE	1
55	632550-00	SHINGLE GAUGE	1
56	614984-00	CONTACT TRIP	1
57	614976-00	PIN	1

Parts List for D51321 Type 2

Item Number	Part Number	Description	Qty Required
58	620502-00	SPRING	1
59	614987-00	ADJUSTER	1
60	614972-00	SPRING	1
61	614967-00	SPACER	1
62	614981-00	O-RING	2
63	614982-00	O-RING	2
64	614983-00	O-RING	2
68	646359-00	O-RING	1
69	N023272	ORING	1
70	398167-00	O-RING	2
71	646361-00	O-RING	1
72	631427-00	O-RING	2
76	614994-00	O-RING	1
77	98119-08	SCREW	1
78	608178-00	SCREW	3
79	98119-14	SCREW	1
80	608181-00	SCREW&LOCKWASH	8
81	608180-00	SCREW & WASHER	1
82	608179-00	SCREW & WASHER	2
83	614997-00	SCREW & WASHER	4
84	614988-00	SCREW	3
85	607156-00	ACORN NUT	1
87	330036-19	ROLL PIN	1
88	330036-20	ROLL PIN	1
89	614968-00	GUIDE	1
90	133825-00	RING	1
110	629042-00	SAFETY GLASSES	1

Parts List for D51321 Type 2

Item Number	Part Number	Description	Qty Required
111	604407-02	HEX WRENCH	1
111	98000-09	WRENCH,HEX-4MM	1
113	N029642	WARNING LABEL	1
114	614974-00	LABEL	1
115	614950-00	LATCH	1
116	614951-00	SPRING	1
117	330036-24	ROLL PIN	1
119	624940-00	O-RING	1
800	429995-00	GREASE	1
846	N029720	O-RING KIT	1
846	D513215	PISTON DRIVER KIT	1
846	N000824	PISTON DRIVER KIT	1
846	D513216	O-RING KIT	1
846	621641-00	BUMPER	1
846	623083-00	ANTI-SKID FOOT	1
846	603415-00	TRIGGER ASSY.	1