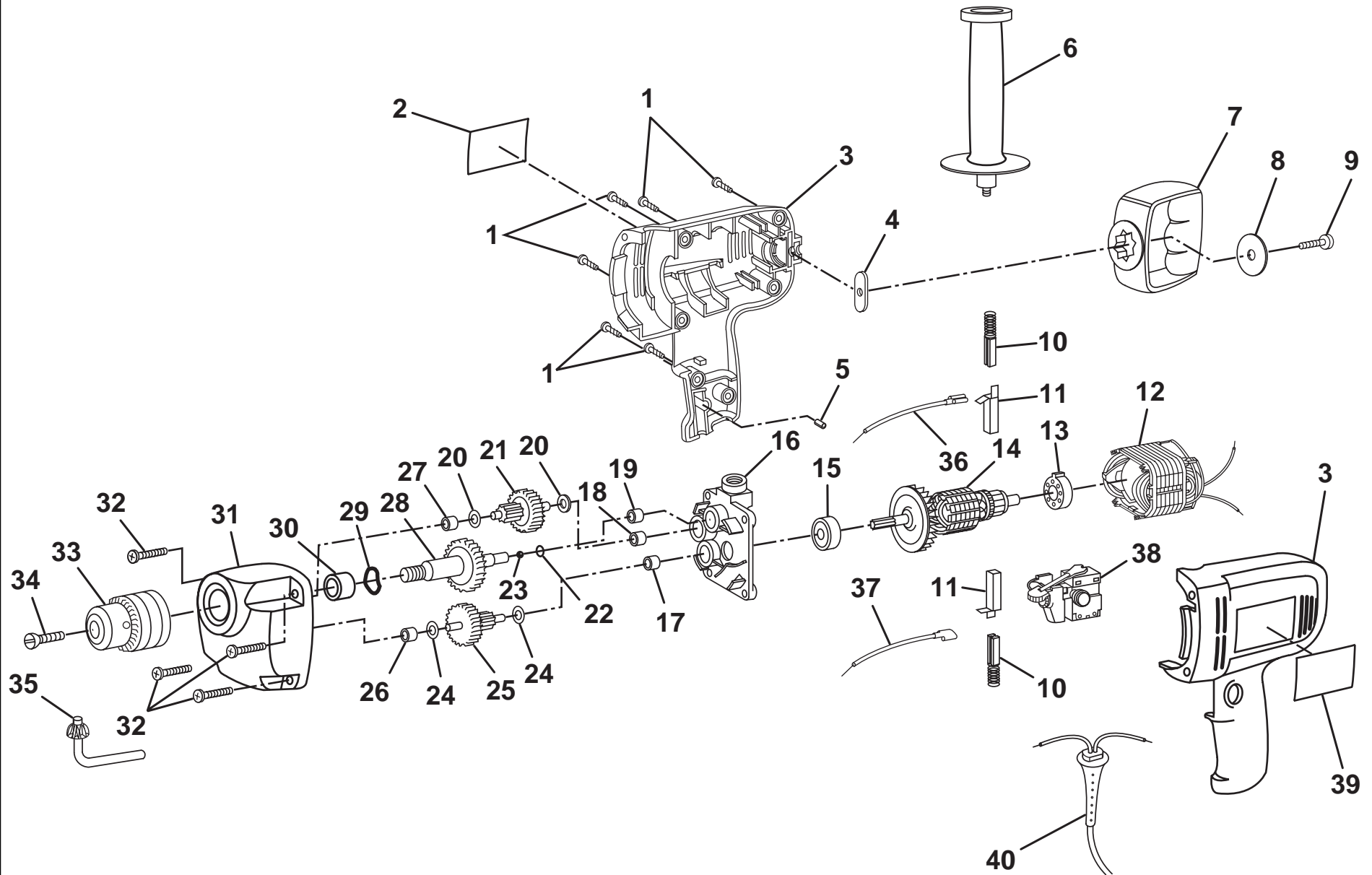


RYOBI 1/2 INCH DRILL - MODEL NUMBER D50VSR



WARNING: IMPROPER REPAIR OF A DOUBLE INSULATED TOOL CAN RESULT IN DAMAGES TO THE DOUBLE INSULATION SYSTEM POSSIBLY CAUSING ELECTRICAL SHOCK OR ELECTROCUTION. ANY REPAIRS REQUIRING DISASSEMBLY OF YOUR TOOL REQUIRES SAFETY TESTING AND SHOULD ONLY BE PERFORMED BY A RYOBI FACTORY SERVICE CENTER. FOR THE REPAIR CENTER NEAREST YOU CALL 1-800-525-2579 IN THE UNITED STATES OR 1-800-265-6778 IN CANADA.

RYOBI 1/2 INCH DRILL - MODEL NUMBER D50VSR

The model number will be found on a plate attached to the motor housing. Always mention the model number in all correspondence regarding your **1/2 INCH DRILL** or when ordering repair parts.

PARTS LIST

KEY NO.	PART NUMBER	DESCRIPTION	QUAN.	KEY NO.	PART NUMBER	DESCRIPTION	QUAN.
1	968702-009	SCREW (#8-16 X 5/8 IN. PAN HD.)	6	21	968308-035	GEAR AND PINION	1
2	974155-001	DATA PLATE	1	22	989067-002	THRUST WASHER	1
3	974161-001	HOUSING ASSEMBLY	1	23	703774-005	BALL	1
4	612598-002	WELD NUT	1	24	931055-011	WASHER	2
5	623019-003	RUBBER PLUG	1	25	968308-032	CLUSTER GEAR AND SHAFT ASSEMBLY	1
6	972895-002	AUXILIARY HANDLE	1	26	972717-001	SLEEVE BEARING	1
7	972877-001	"D" SHAPED HANDLE	1	27	990962-001	BEARING	1
8	703493-819	WASHER	1	28	968308-033	GEAR AND SPINDLE ASSEMBLY	1
9	617205-001	SCREW (#1/4-20 X 3/4 IN. PAN HD.)	1	29	620789-003	SPRING WASHER	1
10	968304-044	BRUSH ASSEMBLY	2	30	990963-001	SPINDLE BEARING	1
11	990839-001	BRUSH TUBE	2	31	974160-001	GEAR HOUSING W/BEARINGS (INCLUDES KEY NOS. 26, 27, AND 30)	1
12	968307-115	FIELD ASSEMBLY	1	32	968703-013	SCREW (#8-32 X 7/8 IN. PAN HD. T.F.)	4
13	990133-001	SLEEVE BEARING	1	33	973869-001	1/2 IN. CHUCK	1
14	968306-122	ARMATURE	1	34	613150-003	SCREW (5/16-24 X 7/8 IN. FIL. HD. LEFT HAND)	1
15	968305-010	BALL BEARING (NTN#608ZZ/1E)	1	35	606858-001	CHUCK KEY	1
16	972725-002	BEARING PLATE W/BEARINGS (INCLUDES KEY NOS. 15, 17, 18, AND 19)	1	36	974190-005	YELLOW LEAD	1
17	972719-001	SLEEVE BEARING	1	37	974190-004	RED LEAD	1
18	972718-001	SLEEVE BEARING	1	38	974918-001	SWITCH	1
19	972720-001	SLEEVE BEARING	1	39	974154-001	LOGO PLATE	1
20	931744-063	WASHER	2	40	970105-021	CORD ASSEMBLY	1
					972000-299R	OWNER'S MANUAL	