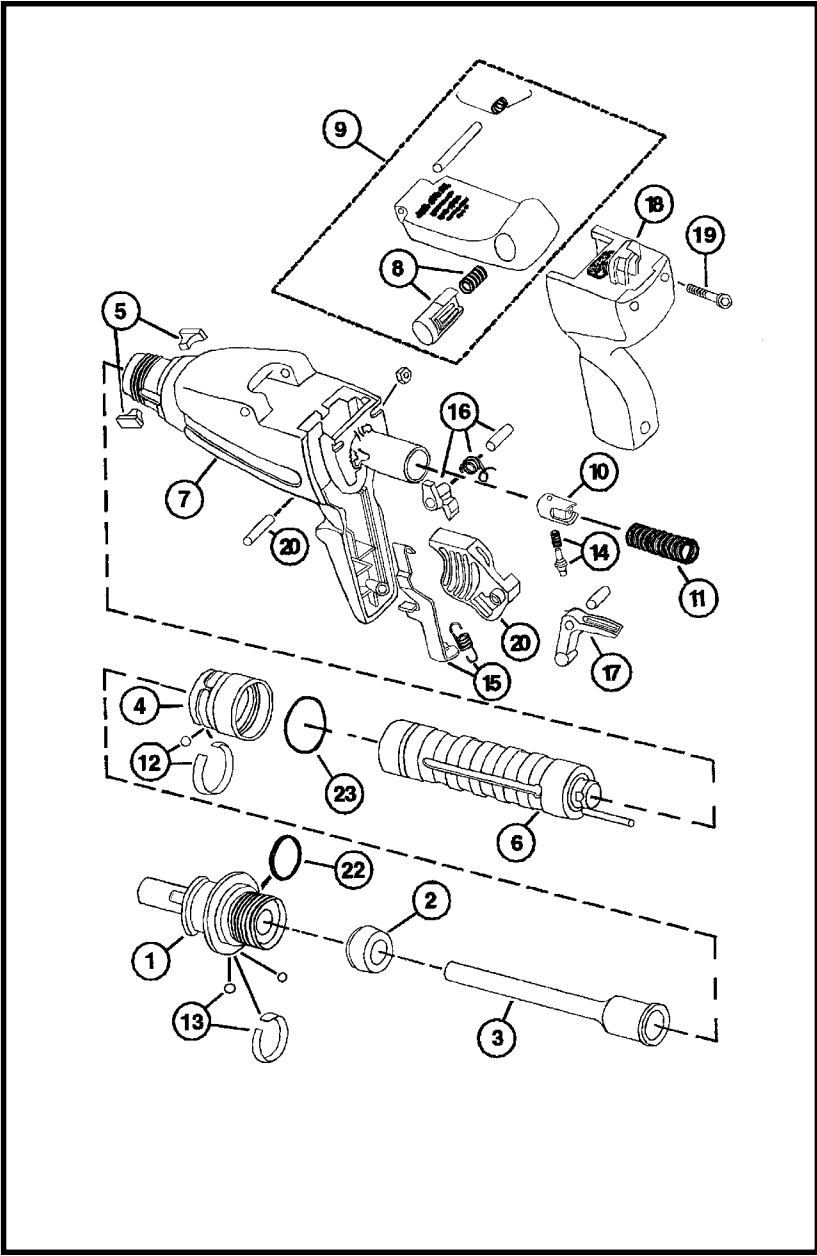


**PARTS SCHEMATIC**



**PARTS SCHEMATIC**

## PARTS LISTING / MAINTENANCE

### D45 TOOL PARTS LIST

KEY	PART NO.	DESCRIPTION
1	323300	MUZZLE BUSHING ASSEMBLY
2	316520	BUFFER
3	306450	PISTON
4	323310	BARREL RETENTION COLLAR ASS'Y
5	316540	PAWL ( 2 )
6	323390A	BARREL ASSEMBLY
7	323940	RECEIVER ASSEMBLY
8	308490	LATCH BUTTON ASSEMBLY
9	13510	COVER ASSEMBLY
10	307890	FIRING PIN ASSEMBLY
11	13593	FIRING PIN SPRING
12	312590A	COLLAR RET. RING AND BALL
13	323050A	RETENTION CLIP AND BALLS
14	316570	FIRING PIN PAWL AND SPRING
15	13518	INDEXING LEVER AND SPRING
16	13516	TRIGGER LOCK ASSEMBLY
17	316580	SEAR ASSEMBLY AND PIN
18	309280	REAR HANDLE ASSEMBLY
19	308860	REAR HANDLE SCREWS AND NUTS
20	13509	TRIGGER AND PIN
21	12266	SPALL GUARD ( NOT SHOWN )
22	351000	MUZZLE BUSHING O-RING
23	351001	RETENTION COLLAR O-RING

### MAINTENANCE

**IMPROPERLY MAINTAINED TOOLS CAN CAUSE SERIOUS INJURIES  
TO TOOL OPERATORS AND BYSTANDERS**

**CLEAN TOOL DAILY**

**Always** make sure the tool is not loaded before performing any service or repair and always wear safety goggles when cleaning or servicing the tool.  
**NORMAL CLEANING**

All front end parts shown in the disassembly section are to be cleaned daily with a good detergent oil and wire brush. Remove all dirt and carbon buildup and wipe parts dry with a clean rag. Check all parts for wear or damage before reassembly and replace or repair any worn or damaged parts.

#### **COMPLETE CLEANING / GENERAL MAINTENANCE**

Heavy use or constant exposure to dirt and debris may require that the tool be cleaned more extensively. Complete disassembly and cleaning of all parts may be necessary to restore the tool to normal operation. General maintenance should be performed every six months or more often if the tool is subjected to heavy use. Contact your authorized Ramset Distributor for assistance.

**ALWAYS FUNCTION TEST THE TOOL AFTER PERFORMING ANY SERVICE.  
SEE PAGE 9 FOR DETAILS ON THE FUNCTION TEST.**

## PARTS LISTING / MAINTENANCE