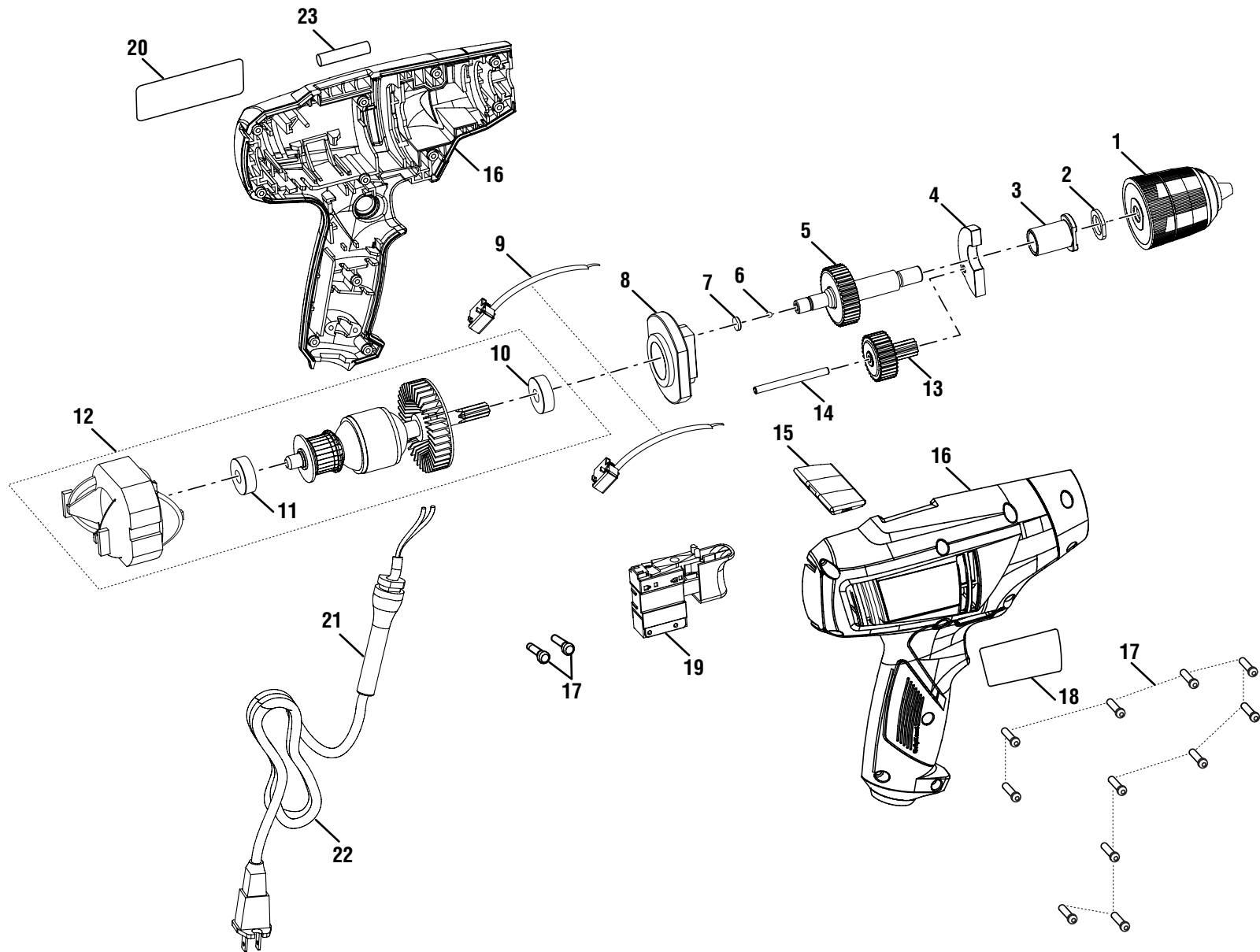


RYOBI 3/8 in. DRILL – MODEL NUMBER D42



RYOBI 3/8 in. DRILL – MODEL NUMBER D42

The model number will be found on a label attached to the motor housing. Always mention the model number in all correspondence regarding your **3/8 in. DRILL** or when ordering parts.

PARTS LIST

KEY NO	PART NUMBER	DESCRIPTION	QTY	KEY NO	PART NUMBER	DESCRIPTION	QTY
1	690033085	Chuck.....	1	16	201141001	Housing Assembly (Inc. Key Nos. 18 and 24)	1
2	9030306	Sealing Pad.....	1	17	660206042	Screw (M3.5 x 16 mm).....	11
3	692233001	Sleeve Bearing.....	1	18	940976518	Data Label.....	1
4	690672002	Front Bearing Block.....	1	19	760677005	Switch	1
5	300003091	Output Shaft Assembly.....	1	20	940114154	Logo Label.....	1
6	6861701	Ball (1/8 in.).....	1	21	5629001	Bend Relief	1
7	6861601	Thrust Washer.....	1	22	730372015	Power Cord.....	1
8	691182001	Rear Bearing Block.....	1	23	3000907	Level Assembly.....	1
9	290069252	Brush Assembly.....	1		Not Shown:		
10	680141018	Ball Bearing (608ZZ)	1	902033022	Tool Bag	1	
11	680966003	Ball Bearing (608 2RS)	1	987000781	Operator's Manual (961067129)		
12	201157001	Motor Assembly (Inc. Key Nos. 10-11).....	1	9-26-12 (Rev:05)			
13	300723002	Cluster Gear Assembly	1				
14	672312001	Pin.....	1				
15	519384001	Forward/Reverse Button.....	1				