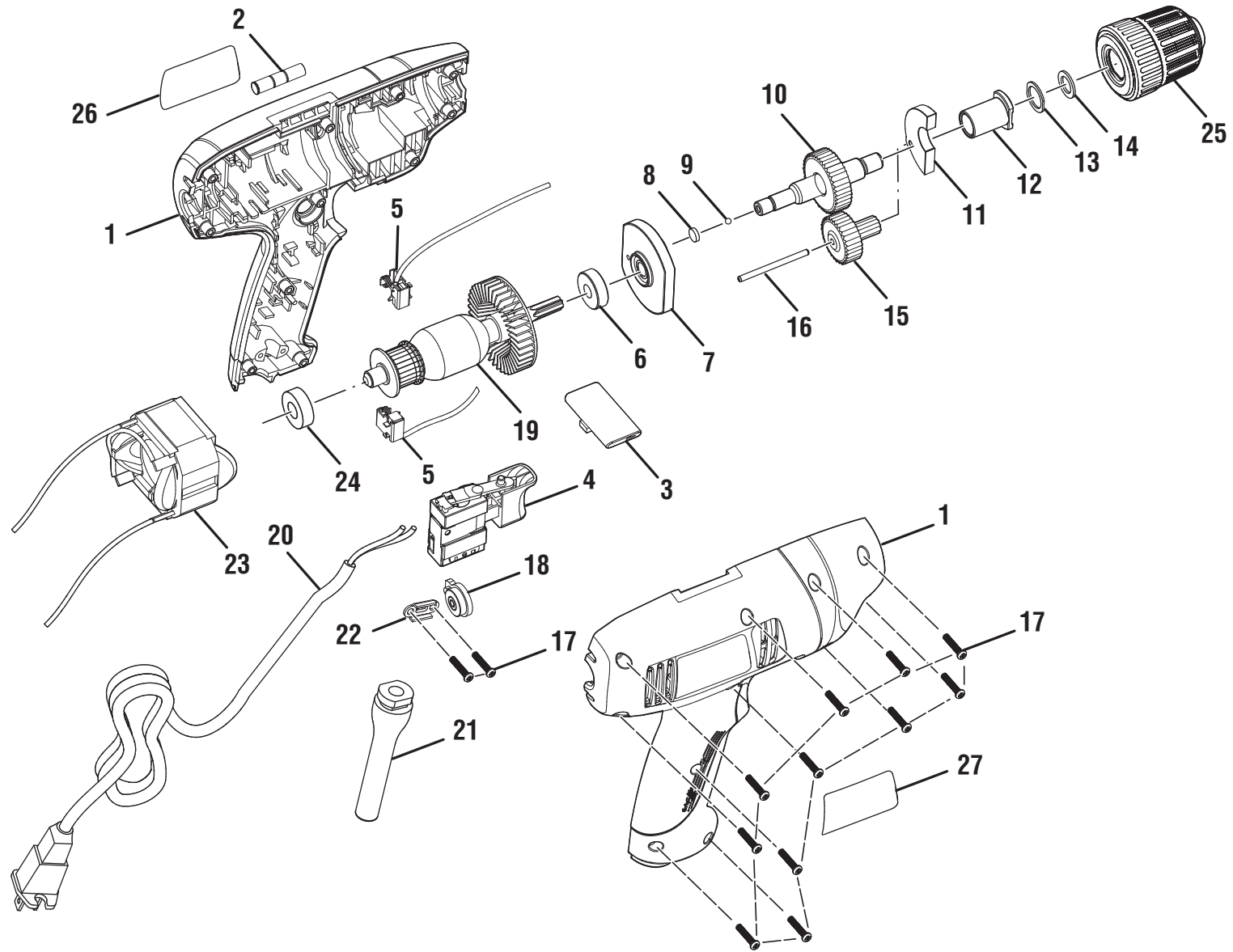


RYOBI 3/8 in. DRILL - MODEL NUMBER D41



## RYOBI 3/8 in. DRILL – MODEL NUMBER D41

The model number will be found on a label attached to the motor housing. Always mention the model number in all correspondence regarding your **DRILL** or when ordering repair parts.

### PARTS LIST

KEY NO.	PART NUMBER	DESCRIPTION	QTY	KEY NO.	PART NUMBER	DESCRIPTION	QTY
1	200136005	Housing Assembly .....	1	17	6620606	Screw (M3.5 x 16 mm, Pan Hd.).....	13
2	3000907	Level.....	1	18	304152003	Rear Level Assembly .....	1
3	380787003	Forward/Reverse Selector .....	1	19	200216019	Armature Assembly (Inc. Key Nos. 6 and 24).....	1
4	760197012	Switch .....	1	20	7320108	Power Cord.....	1
5	290069092	Brush Assembly .....	1	21	5629001	Bend Relief.....	1
6	681057001	Ball Bearing (608LLU) .....	1	22	6933701	Cord Clamp.....	1
7	692182002	Rear Bearing Block.....	1	23	740889001	Field .....	1
8	6861601	Thrust Washer.....	1	24	681056001	Ball Bearing (608zz) .....	1
9	6861701	Ball (Ø1/8 in.) .....	1	25	690032011	Chuck.....	1
10	300003091	Output Shaft Assembly.....	1	26	950051044	Logo Label .....	1
11	690672002	Front Bearing Block .....	1	27	940055113	Data Label.....	1
12	692233001	Sleeve Bearing.....	1		<b>Not Shown:</b>		
13	9030306	Felt Seal .....	1		300636124	Carrying Case .....	1
14	6844703	Washer (OD16.0 x ID9.6 x 1.2 mm) .....	1		983000809	Operator's Manual (960223655)	
15	300723002	Cluster Gear Assembly .....	1		9-29-11		
16	6953701	Pin.....	1		(Rev:04)		

**WARNING:** Improper repair of a double insulated tool can result in damage to the double insulation system possibly causing electrical shock or electrocution. Any repairs requiring disassembly of your tool requires safety testing and should only be performed by a Ryobi Authorized Service Center. For the service center nearest you call 1-800-525-2579.