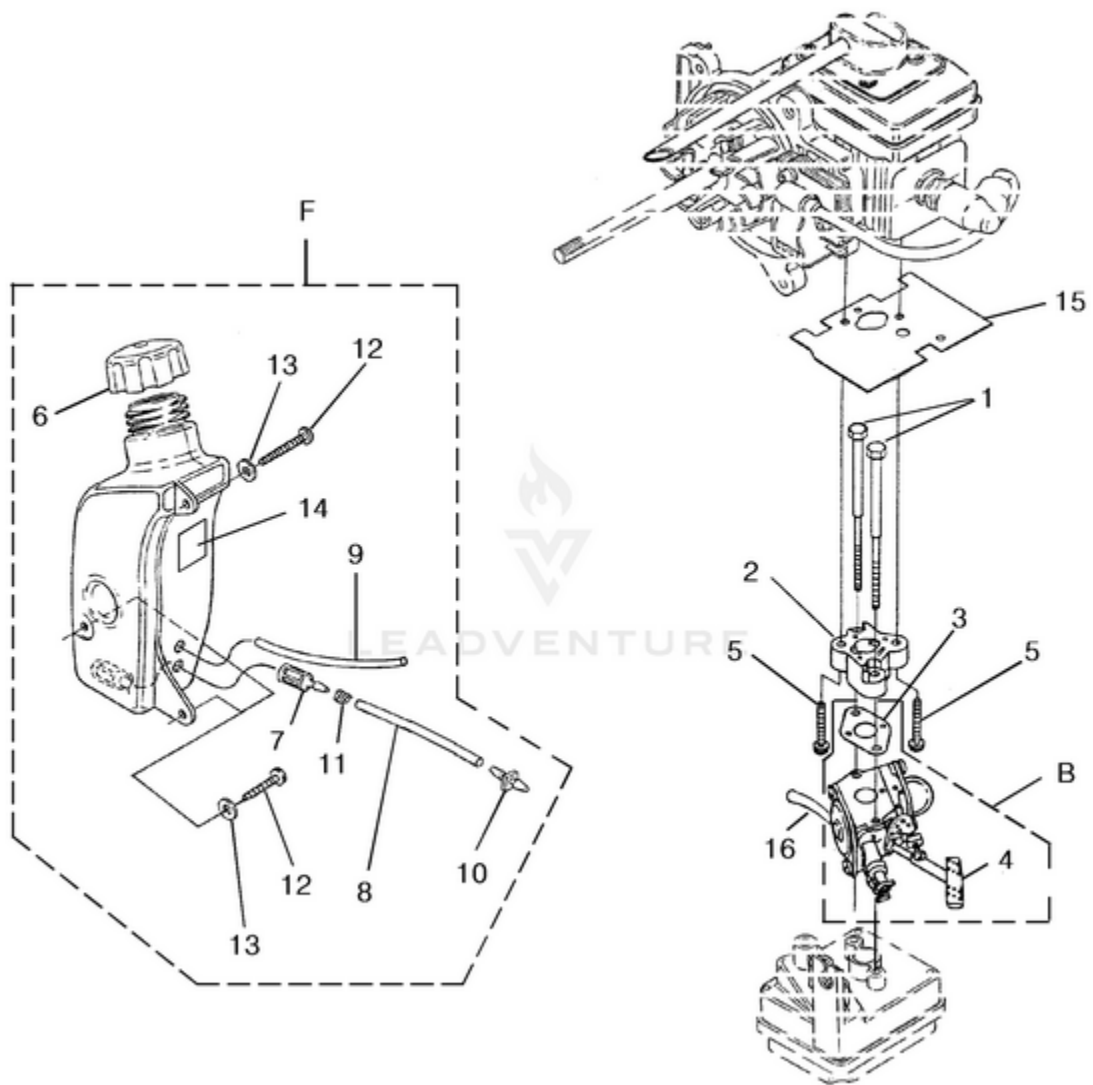


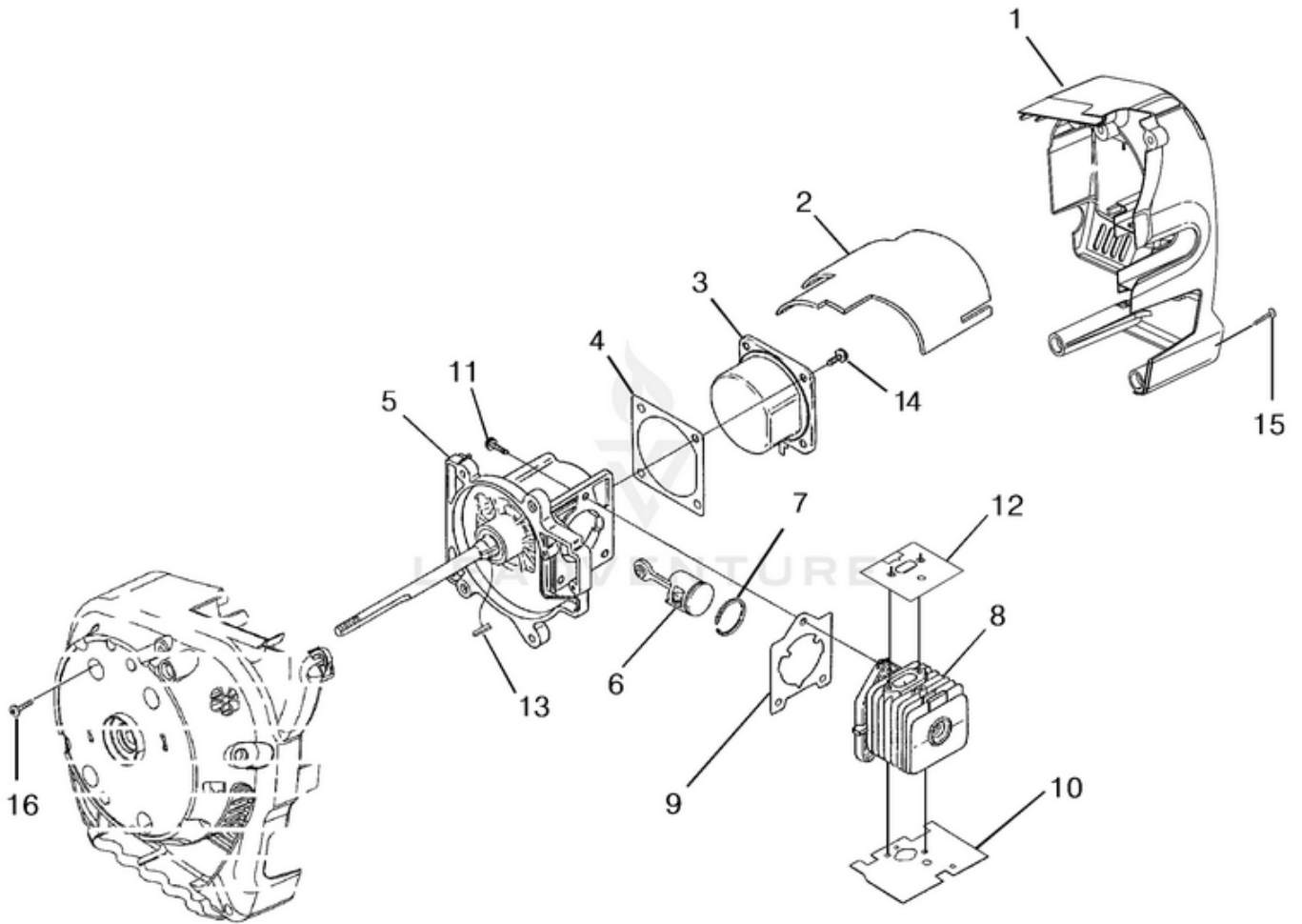
d30mha Blower UT-08066 - Carburetor - Fuel Tank



Rendered by LeadVenture, Inc.

| Ref # | Part # | Description | Qty | Context Note |
|-------|---------|--|-----|--|
| 1 | UP04307 | Screw, Machine (10-24 x 2.8) | 2 | Torque Specs 30-40 In/Lbs; 3.4-4.5 Nm; See "Muffler - Air Cleaner" Ref. No.10 for Torque Specs |
| 2 | UP03863 | Heat Dam | 1 | |
| B | UP00654 | Carburetor Assembly | 1 | |
| 3 | UP03916 | Gasket, Carburetor | 1 | Also included with Short Block and Cylinder assemblies. |
| 4 | UP04278 | Lever, Choke (Zama) | 1 | |
| 5 | UP04140 | Screw, Sems (10-24 x 1") | 2 | Also included with Short Block and Cylinder assemblies; Torque Specs 50-60 In/Lbs; 5.6-6.8 Nm |
| F | UP00495 | Fuel Tank Assy. | 1 | |
| 6 | UP04708 | Fuel Cap | 1 | |
| 7 | UP03871 | Fuel Filter | 1 | |
| 8 | UP04347 | Tubing, Rubber (3") | 1 | |
| 9 | UP04294 | Tubing, Rubber (5") | 1 | |
| 10 | UP04310 | Fitting, Inlet | 1 | (Small for 2.5mm ID fuel line) |
| | UP03831 | Fitting, Inlet | 1 | (Large for 3mm ID fuel line) |
| 11 | UP03913 | Clamp, Wire | 1 | |
| 12 | UP03900 | Screw, Thread Forming (10-14 x 3/4) | 3 | Torque Specs 30-40 In/Lbs; 3.0-4.0 Nm |
| 13 | UP03867 | Washer | 3 | |
| 14 | UP03907 | Tape, Aluminum | 1 | |
| 15 | UP04308 | Gasket, Heat Dam | 1 | Also included with Short Block and Cylinder assemblies. |
| 16 | UP04294 | Tubing, Rubber (5") | 1 | |

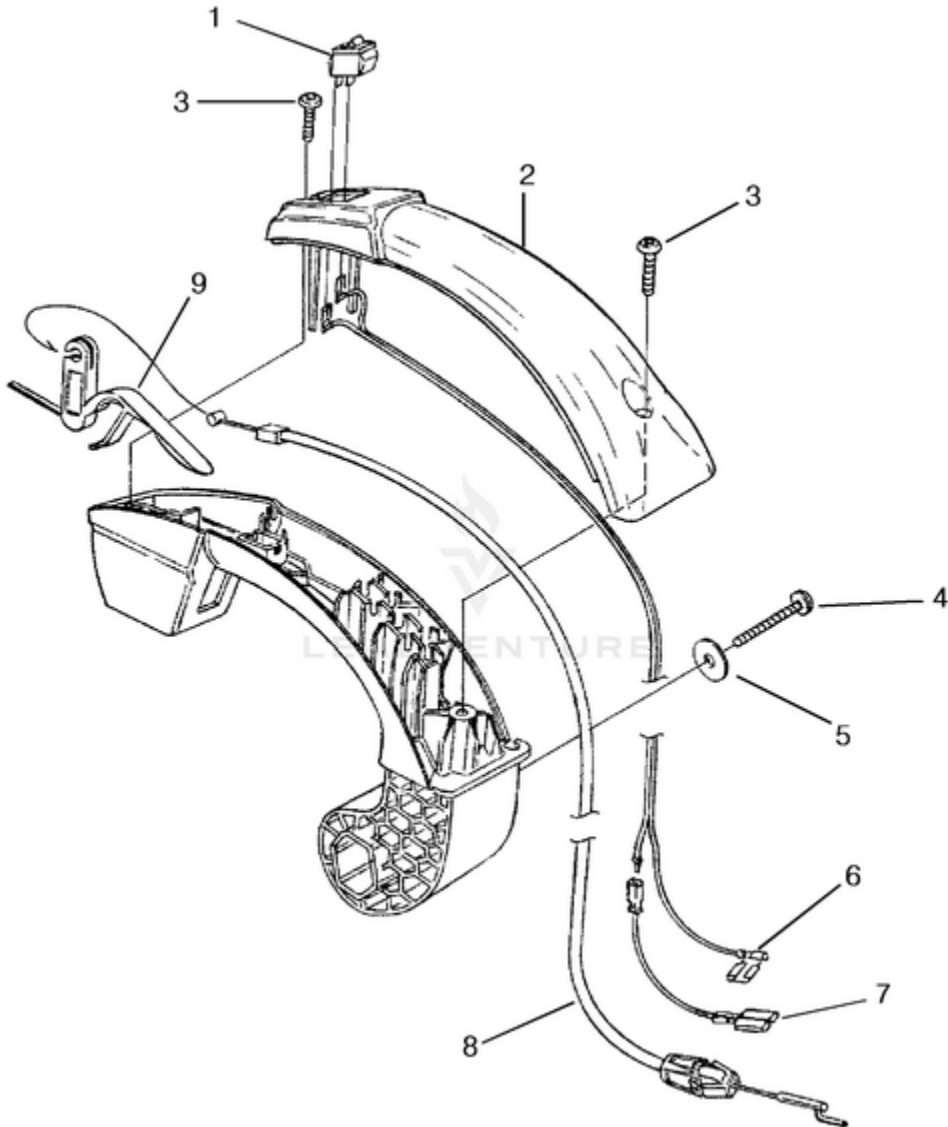
d30mha Blower UT-08066 - Engine Internal



Rendered by LeadVenture, Inc.

| Ref # | Part # | Description | Qty | Context Note |
|-------|---------|-------------------------------------|-----|--|
| 1 | UP04314 | Shroud | 1 | |
| 2 | UP04322 | Heat Shield, Muffler | 1 | |
| 3 | UP06543 | Crankcase Cover | 1 | |
| 4 | UP04335 | Gasket, C/Case | 1 | Also included with Short Block and Cylinder assemblies |
| 5 | UP00759 | Short Block (Svc)(30cc) | 1 | |
| 6 | UP03366 | Piston & Rod (30cc) | 1 | |
| 7 | UP03837 | Piston Ring (30cc) | 2 | Ring for single ring 30CC piston 04933 |
| 8 | UP07146 | Cylinder Kit (30cc) | 2 | |
| 9 | UP03857 | Gasket, Cylinder | 1 | |
| 10 | UP04308 | Gasket, Heat Dam | 1 | |
| 11 | UP04345 | Screw, Sems (12-24 x 3/4) | 3 | Torque Specs 55-65 In/Lbs; 6.2-7.3 Nm; Red 262 Loctite Required |
| 12 | UP04350 | Gasket, Muffler | 1 | |
| 13 | UP03874 | Key, Woodruff | 1 | |
| 14 | UP04295 | Screw, Sems (10-24 x .560) | 4 | Torque Specs 35-45 In/Lbs; 4.0-5.1 Nm; Red 262 Loctite Required |
| 5 | UP00756 | Short Block (Svc)(25cc) | 1 | |
| 6 | UP00768 | Piston & Rod (25cc) | 1 | |
| 7 | PS01359 | Piston Ring (25cc) | 1 | |
| 8 | UP07145 | Cylinder Kit (25cc) | 1 | |
| 9 | UP03857 | Gasket, Cylinder | 1 | |
| 10 | UP04308 | Gasket, Heat Dam | 1 | |
| 11 | UP04345 | Screw, Sems (12-24 x 3/4) | 3 | Torque Specs 55-65 In/Lbs; 6.2-7.3 Nm; Red 262 Loctite Required |
| 12 | UP04350 | Gasket, Muffler | 1 | |
| 13 | UP03874 | Key, Woodruff | 1 | |
| 14 | UP04295 | Screw, Sems (10-24 x .560) | 4 | Torque Specs 35-45 In/Lbs; 4.0-5.1 Nm; Red 262 Loctite Required |
| 15 | UP03895 | Screw, Thread Forming (10-14 x 7/8) | 5 | Torque Specs 30-40 In/Lbs; 3.4-4.6 Nm |
| 16 | UP03406 | Taptite, Truss (10-24 x 3/4) | 4 | Torque Specs 55-60 In/Lbs; 6.2-6.8 Nm |

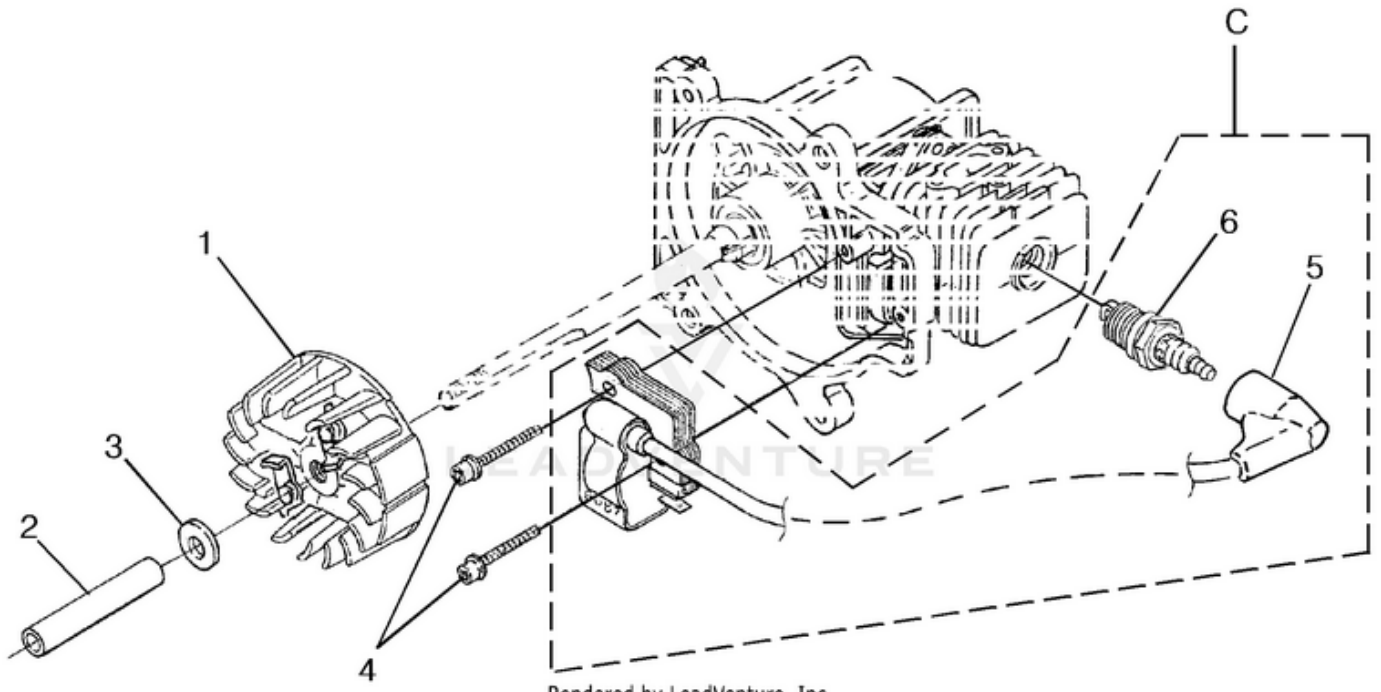
d30mha Blower UT-08066 - Handle



Rendered by LeadVenture, Inc.

| Ref # | Part # | Description | Qty | Context Note |
|--------------|---------------|--|------------|--|
| | UP06900 | Handle Assembly | 1 | |
| 1 | UP04320 | Switch, Rocker(Stop) | 1 | |
| 2 | UP04325 | Handle Cover | 1 | |
| 3 | UP03898 | Screw, Thread Forming (8-16 X 1/2) | 2 | Torque Specs 10-25 In/Lbs; 1.1-2.8 Nm |
| 4 | UP03895 | Screw, Thread Forming (10-14 X 7/8) | 1 | Torque Specs 30-45 In/Lbs; 3.4-5.1 Nm |
| 5 | UP06901 | Washer, Flat | 1 | |
| 6 | UP04333 | Kill Switch Lead | 1 | |
| 7 | UP04327 | Cable, Throttle | 1 | |
| 8 | UP04326 | Trigger | 1 | |
| 9 | | UNKNOWN | | |

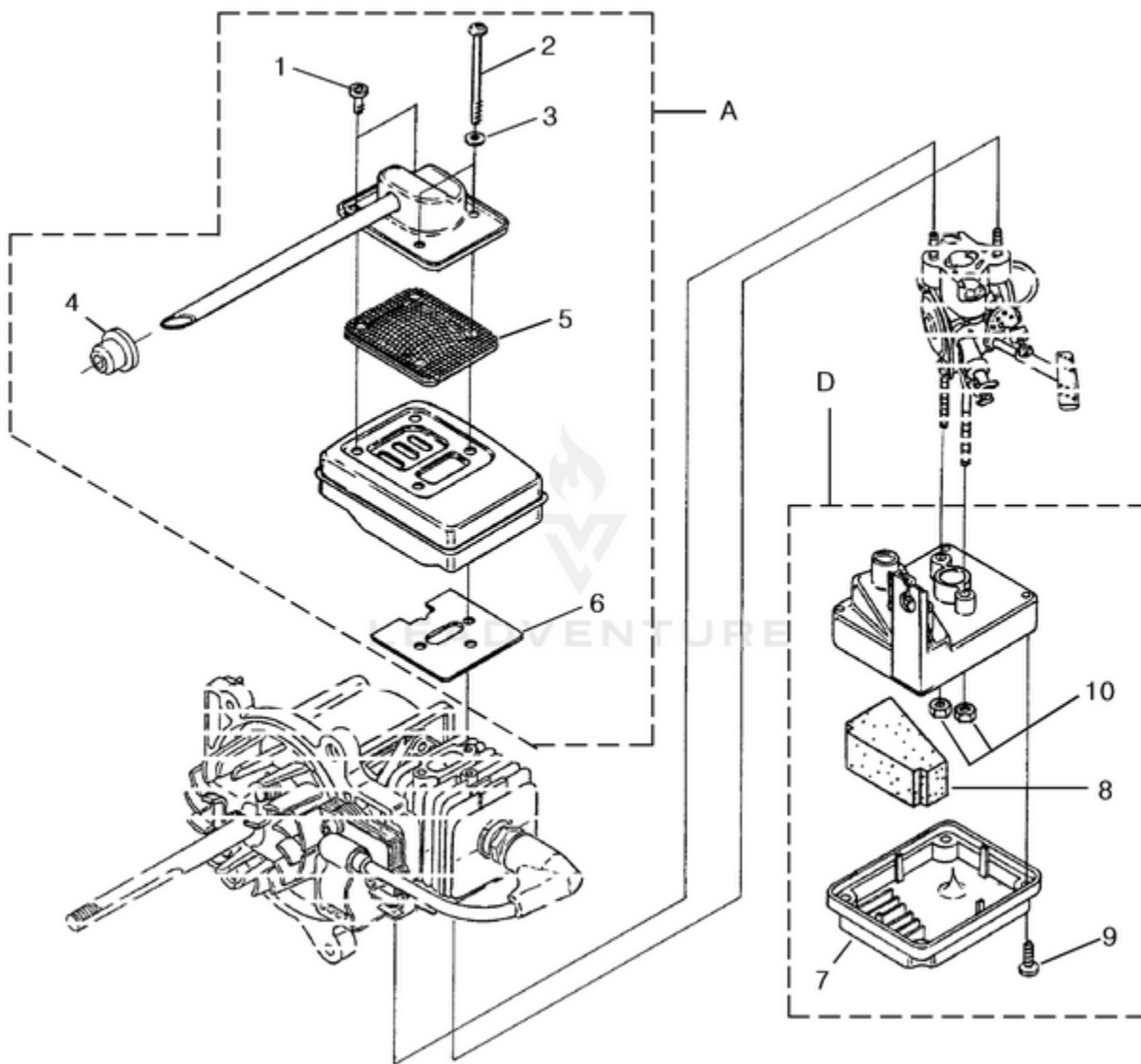
d30mha Blower UT-08066 - Ignition



Rendered by LeadVenture, Inc.

| Ref # | Part # | Description | Qty | Context Note |
|--------------|---------------|------------------------------------|------------|---|
| 1 | UP03856 | Rotor & Starter Pawls | 1 | |
| 2 | UP03855 | Spacer | 1 | |
| 3 | UP03906 | Washer, Flat | 1 | |
| 4 | UP03896 | Screw-Thread Forming (8-32 X 1) | 2 | Torque Specs 30-40 In/Lbs; 3.4-4.5 Nm; Blue 242 Loctite Required |
| C | UP03858 | Ignition Kit | 1 | |
| 5 | UP03868 | Terminal & Cover | 1 | |
| 6 | UP03883 | Resistor Spark Plug (RDJ-7Y) | 1 | Torque Specs 120-180 In/Lbs; 13.6-20.3 Nm |

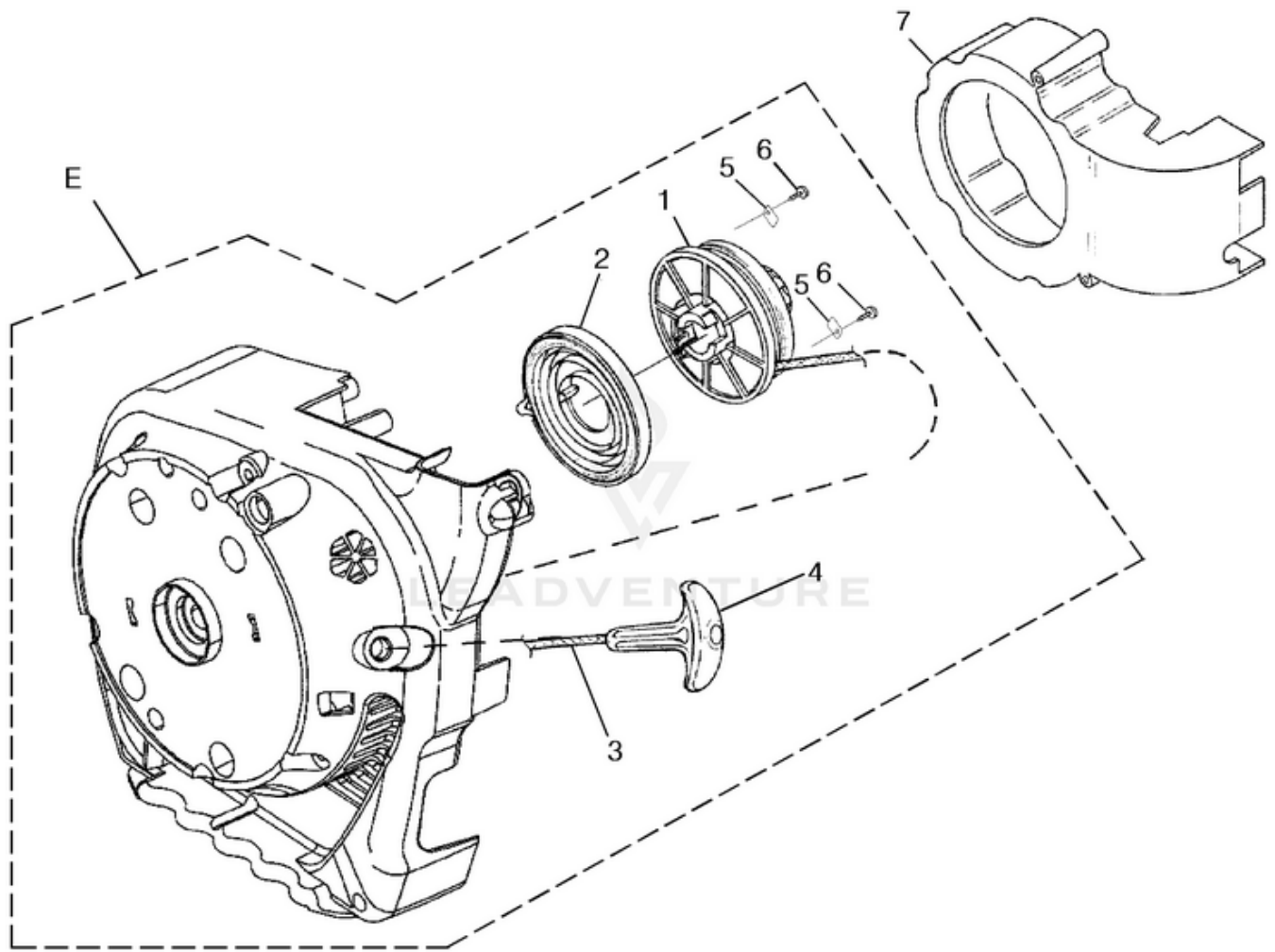
d30mha Blower UT-08066 - Muffler - Air Cleaner



Rendered by LeadVenture, Inc.

| Ref # | Part # | Description | Qty | Context Note |
|--------------|---------------|--|------------|---|
| A | UP06823 | Muffler Assembly, Crimped | 1 | |
| 1 | UP04248 | Screw, Taptite (8-32 x 3/8) | 2 | Torque Specs 20-30 In/Lbs; 2.3-3.4 Nm |
| 2 | UP04249 | Screw, Torx Truss Hd. (10-24 X 2.188") | 2 | Torque Specs 50-60 In/Lbs; 5.6-6.8 Nm |
| 3 | UP03866 | Washer, Conical #10 | 2 | |
| 4 | UP04321 | Muffler Grommet | 1 | |
| 5 | UP04316 | Screen Assy., Spark | 1 | |
| 6 | UP03817 | Gasket, Muffler | 1 | Also included with Short Block and Cylinder assemblies. |
| D | UP06824 | Air Filter Assembly | 1 | |
| 7 | UP04318 | Cover, Air Box | 1 | |
| 8 | UP04323 | Filter Element #1 | 1 | |
| 9 | UP03893 | Screw, Thread Forming (8-16 X .50) | 4 | Torque Specs 30-40 In/Lbs; 3.4-4.5 Nm |
| 10 | UP03885 | Nut, Lock Hex (10-24) | 2 | Torque Specs 30-40 In/Lbs; 3.4-4.5 Nm |

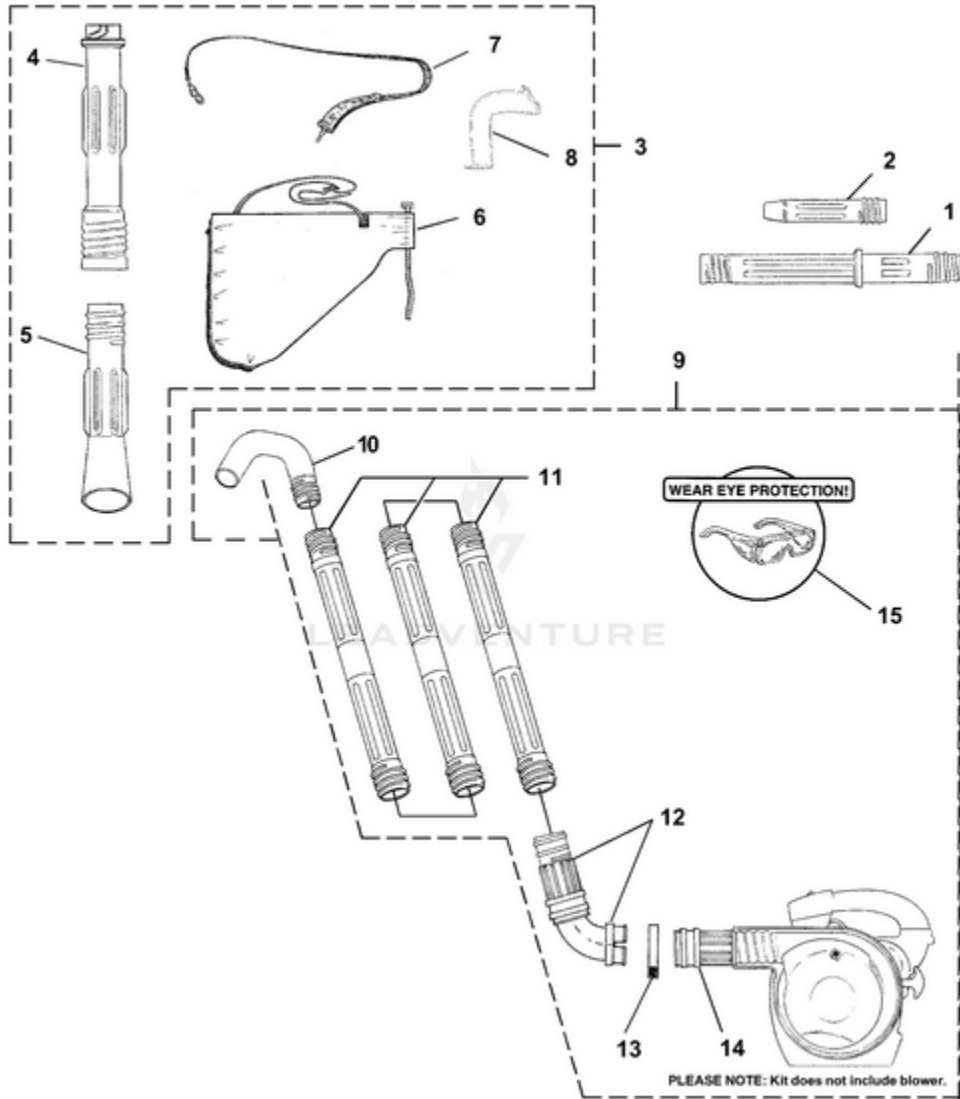
d30mha Blower UT-08066 - Starter



Rendered by LeadVenture, Inc.

| Ref # | Part # | Description | Qty | Context Note |
|--------------|---------------|---------------------------|------------|---------------------------------------|
| E | UP00497 | Starter (Svc) | 1 | |
| 1 | UP04349 | Pulley, Starter | 1 | |
| 2 | UP03917 | Spring & Container | 1 | |
| 3 | UP03912 | Rope, Starter 42" | 1 | |
| 4 | UP04276 | Grip, Starter (Black) | 1 | |
| 5 | UP03919 | Bracket-Retaining | 2 | |
| 6 | UP03897 | Screw-Plastite (#10-1/2") | 2 | Torque Specs 30-40 In/Lbs; 3.4-4.5 Nm |
| 7 | UP04319 | Scroll | 1 | |

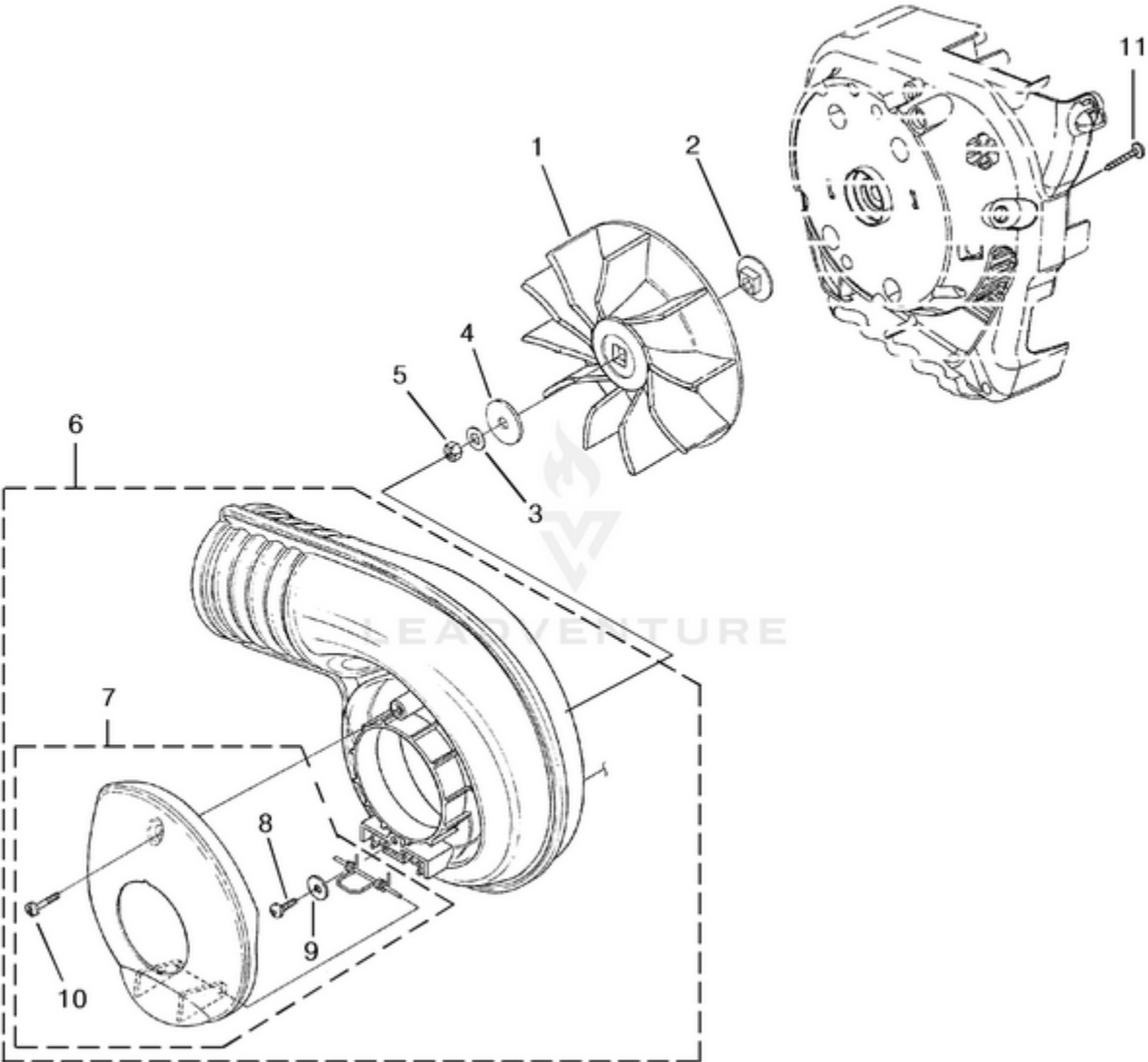
d30mha Blower UT-08066 - Tubes - Straps -Accessories



Rendered by LeadVenture, Inc.

| Ref # | Part # | Description | Qty | Context Note |
|--------------|---------------|------------------------------|------------|--|
| 1 | UP04317 | Tube, Blower | 1 | |
| 2 | UP04324 | Nozzle, Blower | 1 | |
| 3 | A09293 | Vacuum Kit | | |
| 4 | UP04328 | Vac Tube, Upper | 1 | |
| 5 | UP04329 | Vac Tube, Lower | 1 | |
| 6 | UP04548 | Bag | 1 | |
| 7 | UP06723 | Shoulder Strap | 1 | (Optional for UT08107 after S/N MB0660000) |
| 8 | UP06902 | Air Deflector | 1 | |
| 9 | A02514D | Gutter Maintenance Kit | 1 | |
| 10 | UP06830 | Full Elbow | 1 | |
| 11 | UP05618 | Straight Tube | 3 | |
| 12 | UP06836 | Upper Elbow & Swivel Adapter | 1 | |
| 13 | UP03821 | Large Clamp | 1 | |
| 14 | UP06868 | Adapter | 1 | |
| 15 | UP06835 | Safety Glasses - Clear | 1 | |
| | 18416 | Electronic Tachometer | | Special Tools |
| | 18774 | Fuel Mix Tester | | Special Tools |
| | 23488C | Thread Locking Compound | | Special Tools |
| | 2498203 | T25 Torx Bit 6" Long | | Special Tools |
| | 94194 | Compression Tester | | Special Tools |
| | JA313164 | Spark Tester | | Special Tools |

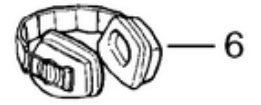
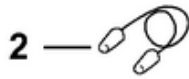
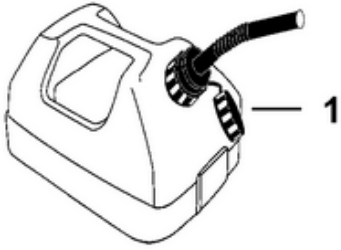
d30mha Blower UT-08066 - Volute - Fan



Rendered by LeadVenture, Inc.

| Ref # | Part # | Description | Qty | Context Note |
|--------------|---------------|--|------------|--|
| 1 | UP04311 | Fan | 1 | |
| 2 | UP04303 | Adapter, Fan | 1 | |
| 3 | UP03835 | Washer, Belleville | 1 | |
| 4 | UP03873 | Washer, Flat | 1 | |
| 5 | UP03884 | Nut (3/8-24) | 1 | Torque Specs 130-150 In/Lbs; 14.7-17.0 Nm |
| 6 | UP06899 | Volute W/Door Assembly | 1 | |
| 7 | UP06898 | Volute Door | 1 | |
| 8 | UP03897 | Screw, Thread Forming (10-14 X 1/2) | 1 | Torque Specs 30-40 In/Lbs; 3.4-4.5 Nm |
| 9 | UP03909 | Washer | 1 | |
| 10 | UP04547 | Screw, Machine (10-24 X 3/4) | 1 | Torque Specs 15-20 In/Lbs; 1.7-2.3 Nm |
| 11 | UP03895 | Screw, Plastite (10-14 X 7/8) | 5 | Torque Specs 35-45 In/Lbs; 4.0-5.0 Nm |

d30mha Blower UT-08066 - Accessories



Rendered by LeadVenture, Inc.

| Ref # | Part # | Description | Qty | Context | Note |
|--------------|---------------|------------------------------------|------------|----------------|-------------|
| 1 | A02976A | GAS CAN 1 1/4 Gallon | | | |
| 2 | UP06839 | EAR PLUGS | | | |
| 3 | UP06835 | SAFETY GLASSES-Clear | | | |
| 4 | 01231D | EXACT MIX (TM) Oil - 1 pint (50:1) | | | |
| 5 | A06778 | GOGGLES | | | |
| 6 | UP07694 | EAR PROTECTORS | | | |