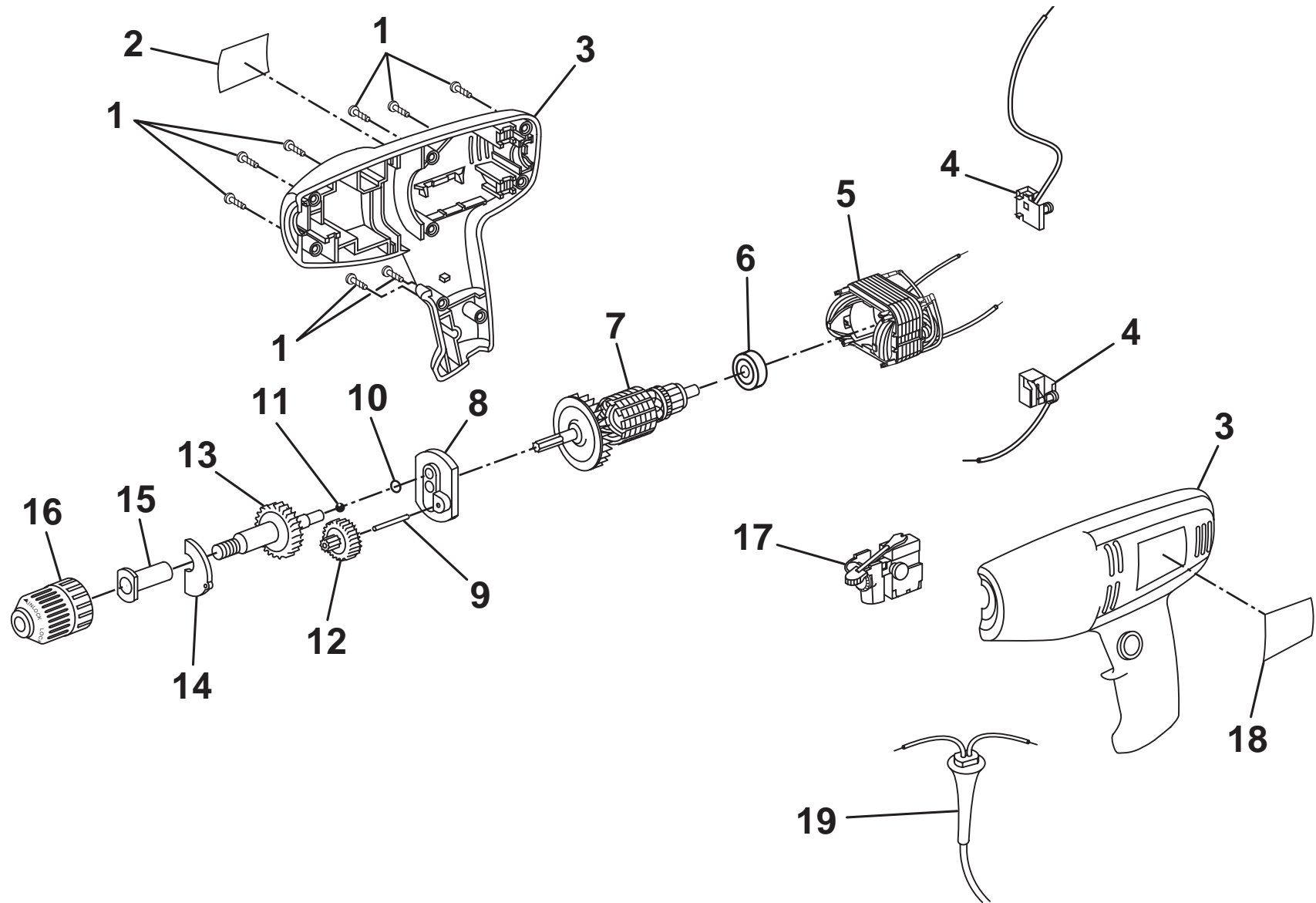


RYOBI 3/8 INCH DRILL - MODEL NUMBER D28VSR



WARNING: IMPROPER REPAIR OF A DOUBLE INSULATED TOOL CAN RESULT IN DAMAGES TO THE DOUBLE INSULATION SYSTEM POSSIBLY CAUSING ELECTRICAL SHOCK OR ELECTROCUTION. ANY REPAIRS REQUIRING DISASSEMBLY OF YOUR TOOL REQUIRES SAFETY TESTING AND SHOULD ONLY BE PERFORMED BY A RYOBI FACTORY SERVICE CENTER. FOR THE REPAIR CENTER NEAREST YOU CALL 1-800-525-2579 IN THE UNITED STATES OR 1-800-265-6778 IN CANADA.

RYOBI 3/8 INCH DRILL - MODEL NUMBER D28VSR

The model number will be found on a plate attached to the motor housing. Always mention the model number in all correspondence regarding your **3/8 INCH DRILL** or when ordering repair parts.

PARTS LIST

KEY NO.	PART NO.	DESCRIPTION	QUAN.
1	990908-009	SCREW (#6-19 X 5/8 IN. PAN HD. HI-LO)	8
2	974175-001	DATA PLATE	1
3	974176-001	HOUSING ASSEMBLY	1
4	968304-077	BRUSH ASSEMBLY	2
5	968307-117	FIELD ASSEMBLY	1
6	968305-010	BALL BEARING (NTN#608ZZ/1E)	1
7	968306-123	ARMATURE	1
8	967667-004	BEARING BLOCK	1
9	967664-001	PIN	1
10	989067-002	THRUST WASHER	1
11	703774-003	BALL	1
12	967668-002	CLUSTER GEAR	1
13	968308-034	GEAR ASSEMBLY	1
14	967665-001	BEARING BLOCK	1
15	967666-001	SLEEVE BEARING	1
16	974430-001	3/8 IN. KEYLESS CHUCK	1
17	974918-001	SWITCH	1
18	974174-001	LOGO PLATE	1
19	970105-021	CORD ASSEMBLY	1
	972000-300R	OWNER'S MANUAL	
	5-96		